

# Sanctuary 9m Sunroom Greenhouse (10ft x 10ft)

Size: 397Lx397Wx287Hcm



## SANCT-COMP

25/09/2020

### **IMPORTANT**

You must read these instructions carefully before you start to assemble this greenhouse. Please ensure that you find all parts in the carton box in the correct type and quantity as mentioned in the list illustrated in every page accordingly.

Please carry out the steps in the order set out in these instructions.

Do not tighten the steps in the greenhouse until completing on the assembly of the poly carbon ate panels.

Keep these instructions in a safe place for future reference.

## SAFETY ADVICE

We strongly recommend the use of work gloves during assembly.  
Do not attempt to assemble the greenhouse in windy or wet conditions,  
Do not touch overhead power cables with the aluminum profiles.  
Always wear shoes and safety goggles when working with extruded aluminum.  
Dispose of all plastic bags safely-keep them out of reach of small children.  
The greenhouse must be positioned and fixed on a flat level surface.  
Do not lean against or push the greenhouse during construction.  
Keep children away from the assemble area.  
Do not position your greenhouse in an area exposed to excessive wind.  
Do not attempt to assemble this greenhouse if you are tired ,have taken drugs or alcohol  
or if you are prone to dizzy spells.  
If using a step ladder or power tools ensure that you follow the manufactures safety advice.  
Hot items such as recently used grills, blowtorches etc.must not be stores in the greenhouse.  
Ensure there are no hidden pipes or cables in the ground before inserting the pegs.

## GENERAL ADVICE

This is a multi-part assembly, Allow at least 500-800 minutes for assembly.  
Selecting a site-choose a sunny level position away from overhanging trees.  
If you are fixing your greenhouse directly to a solid concrete foundation use the pre drilled  
holes in the metal base supplied.  
The component parts should be checked and laid out close at hand.  
Keep all small parts(screws etc)in a bowl so they do not get lost.  
Note that the door is hinged on the right hand side and therefore opens tothe right.  
Keep roof clear of snow and leaves.

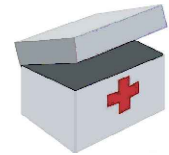
## CARE & MAINTENANCE

When your greenhouse needs cleaning, use a mild detergent solution and risen with cols  
clean water.  
Do NOT use acetone, abrasive cleaners or other special detergents to clean the clear panels.

## TOOLS & EQUIPMENT REQUIRED

### Protective Equipment:

- 1.Helmet
- 2.Glove
- 3.Long Sleeve Cotton Overalls
- 4.Emergency Medicine Cabinet
- 5.Eye Shield



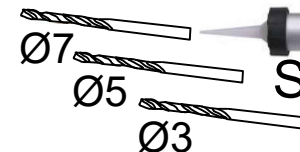
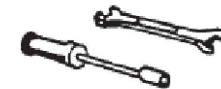
### Measure (metric):

- 1.The Tape (5 m)
- 2.Angle Square
- 3.Level Meter



### Installation Tool:

1. Triangle Stairs≈3 Height x2
2. Spanner 10mm (Ratchet Wrench is better)
3. Electric screwdriver+10mm hex bolt sleeve(suggest)
4. Wooden Mallet
5. Marking Pen
6. Silicon
7. Knife
8. Phillips screwdriver
- 9.Drill bit Ø7 Ø5 Ø3



## PRODUCT SIZE

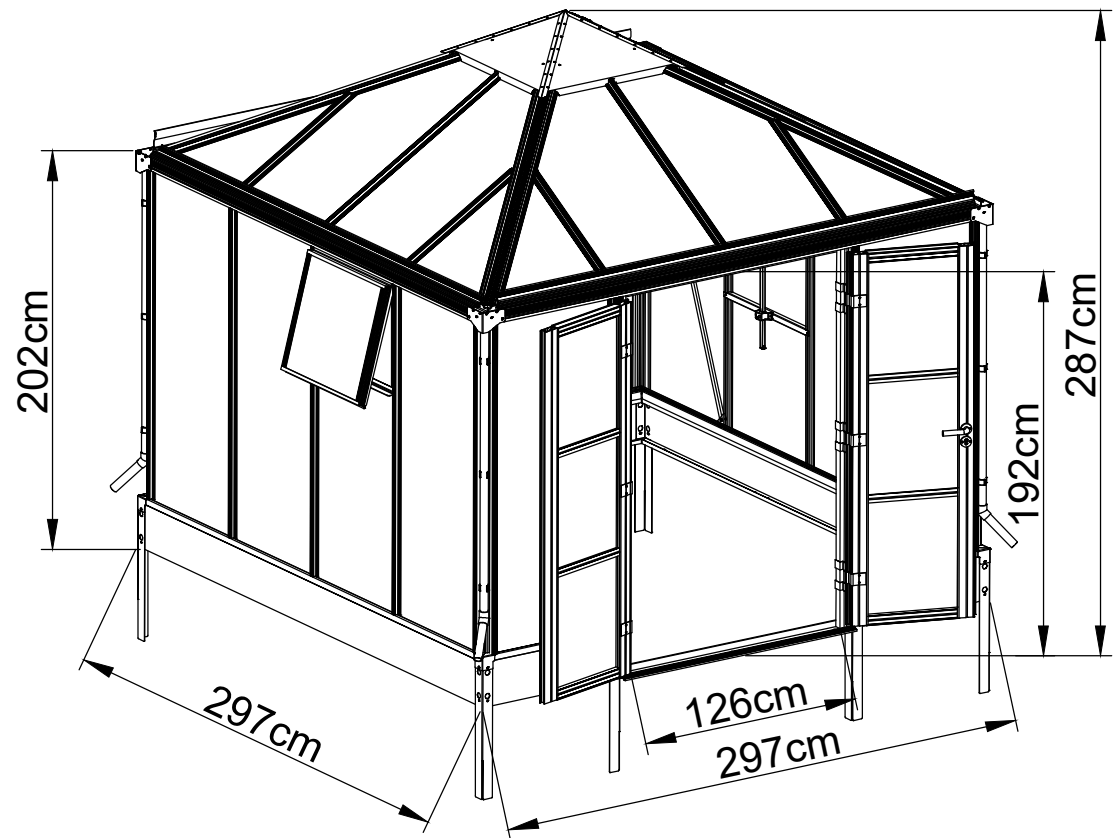
Firstly, make sure a good installation location.

Find a flat ground which is 2 times bigger than the Green house before installation.

## OTHER CAUTIONS

1. 3-4 people required, one is for measuring & taking marks to ensure the installation dimension ,the second person is responsible for the installation and the last one do as assistant and assure the safety.
2. High-power electric tools are required, ensure the normal work of them and highly pay\attention to electric safety.
3. Be careful when using the kind of blunt tools, like hammer.
4. Wearing long sleeve cotton overalls,gloves and helmet during installation and wea safety glasses when using power tools.
- 5.No up watching when working height, or the drop screws may hurt your eyes and suffocation causing accide ntally when fall into your mouth.
6. No climbing, No standing on the tent to avoid falling down.
7. If injuries immediately, using the first-aid kit to stop bleeding,bind up, In case of emergency, taken immediately to a nearby medical institutions.

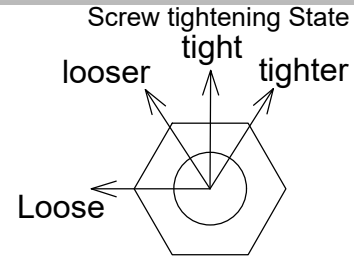
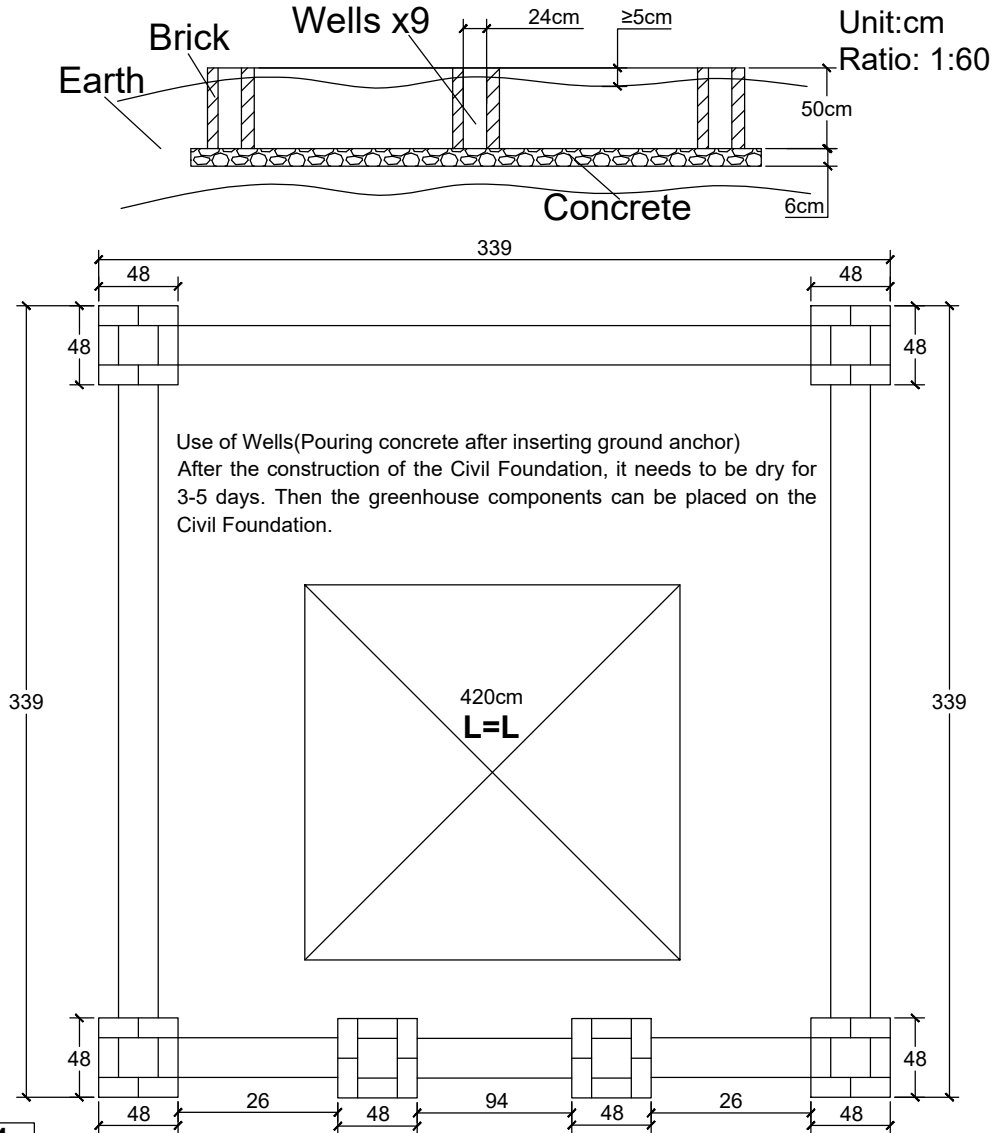
## ZK300



# Installation instructions and illustrations

1. Make sure the ground is flat and firm before installing, avoid the ground subsidence and cause the greenhouse to tilt.
2. If you need to permanently install without moving, please use solid bricks and concrete to make the building foundation, make the house stronger.
3. Additional ground anchors or expansion screws required for different floors are required to be purchased by the user, and this product is not provided.

1. Before installation, you need to know the meaning of the following symbols.
2. Follow the pattern to install faster and less effort.

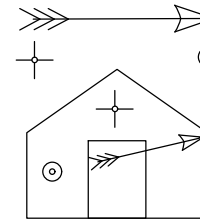


## F6 Screw Installation Method

1. Install 8mm Sleeve
2. Start the first layer clockwise
3. Rotate counterclockwise for 3 seconds.
4. Tight clockwise to the end
5. Not too tight to ensure that the profile can not be deformed.

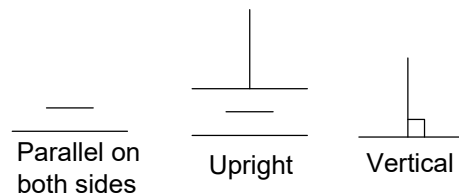
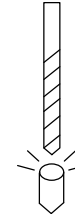


## Installation process Perspective

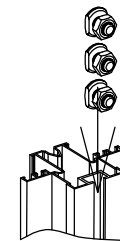


It need to be punched.

Ø3mm



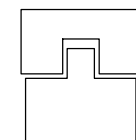
Reserved screws







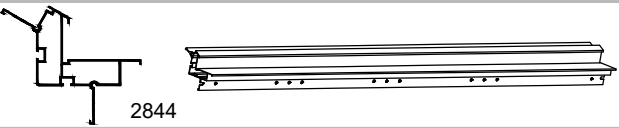
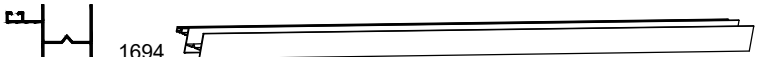
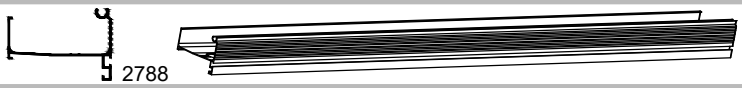









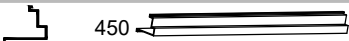
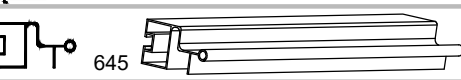





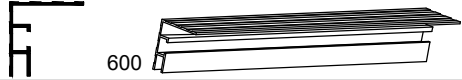




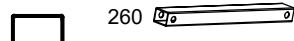


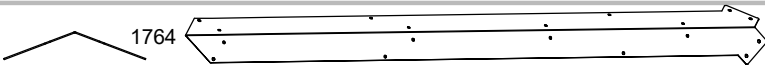
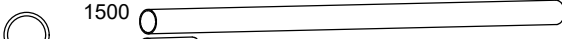


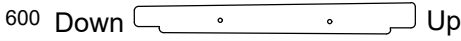
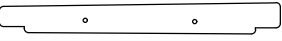


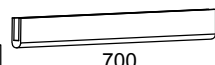
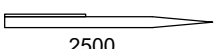
Silicon



Components, preloaded



# ZK300 PARTS LIST (3-1)

NO.	Qty.		NO.	Qty.		
ZD-A2	2	 726	ZK-A4	4	 1694	
30-A2	3	 2844	ZK-A5	11	 1694	
ZK30-WA2A	4	 2844	ZK-A4B	10	 1694	
ZK30-WA2B	4	 2788	ZK-A5B	9	 1694	
ZK30-WA2C	4	 2788	ZK-A4C	19	 1694	
ZK30-9A	4	 1282	ZKA10	6	 1730	
30-30-6B-L	4	 1697	ZKB10	2	 1760	
30-30-6B-R	4		 1760			
8A-L	4	 730	A12	16	 450	
8A-R	4		 450			
ZK30-9B	4	 1287	C-W	2	 645	
ZK306D	8	 1726	C-W1	4	 670	
8B-L	4		 738	W2	4	 600
8B-R	4		 600			
ZK30-9C	4	 1287	C-W3	2	 668	
30-6E	8	 1726	ZD-W4	4	 260	
8C	8	 709	C-W5	2	 750	
30-6A	4	 1764	ZKG1	4	 1500	
30-6C	4	 1736	G2	4	 200	
			GT-CW9	4	 600 Down  Up	
			ZK-CW6	2	 730	
			ZK-CW7	2	 730	
					 700	
					 2500	

J1 x28

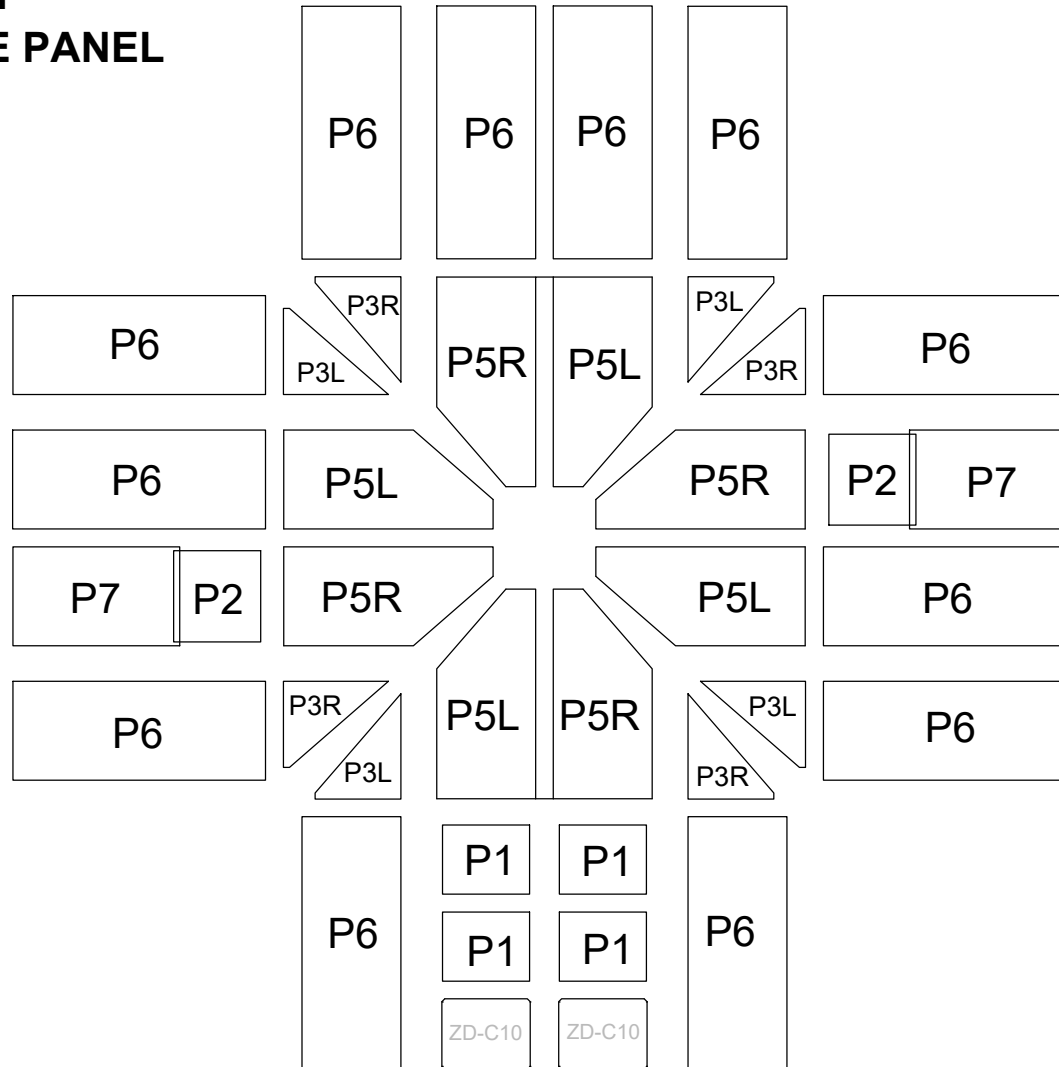
J5 x1

# ZK300 PARTS LIST (3-2)

NO.	Qty.		NO.	Qty.		NO.	Qty.	
D1A	2		T1	1		F12	8	
D1B	1		T2	1		F13	2	
D4	1		C9	6		M5	n	
ZD-D2	4		CW8	2		M6	n	
ZD-D3	4		F1	32		F9	n	
D5	12		F2	6		L1	1	
D6	6		F3	16		L2	2	
D7L	1		F4	315		L3	2	
D7R	1		F5	26		J2	n	
ZD-D9	1		F6	136		J3	n	
ZA-B2	2		F10	4		J4	n	
Z30-B1	3		F11	4		ZD-C10	2	
KC1	4		G4	4				
KC2	4		G3	12				
KC3	4		G5	4				
C1	16		SW1	2				
B7	6		SW2	4				
B8	6		SW3	4				
B9	4		SW4	12				

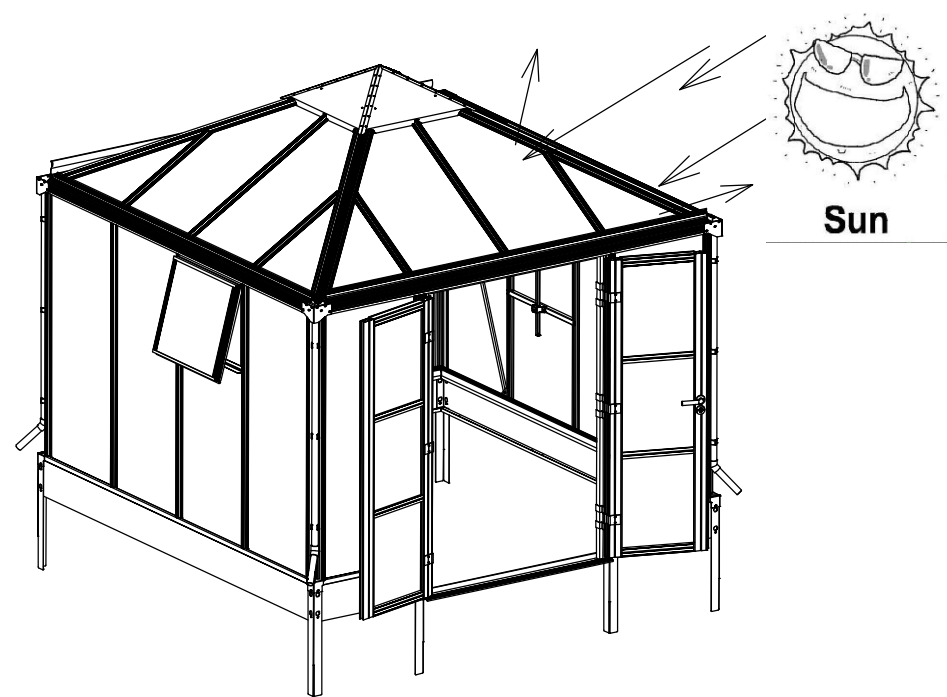
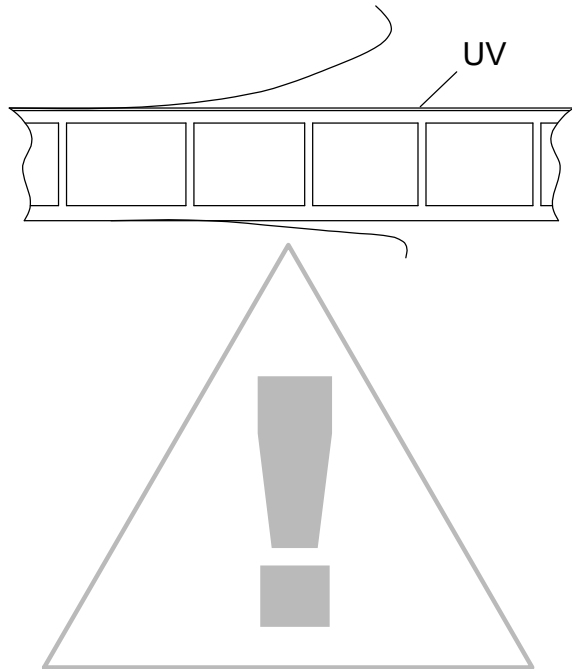
# ZK300 PARTS LIST (3-3)

## SUMMARY STATEMENT FOR POLYCARBONATE PANEL



Towards the white film side to the sun as it is UV-protected.

Advice: According to the thickness and quantity of polycarbonate, please buy suitable polycarbonate sealing tape. It can effectively avoid insects, dust, water vapor into the sun plate end.

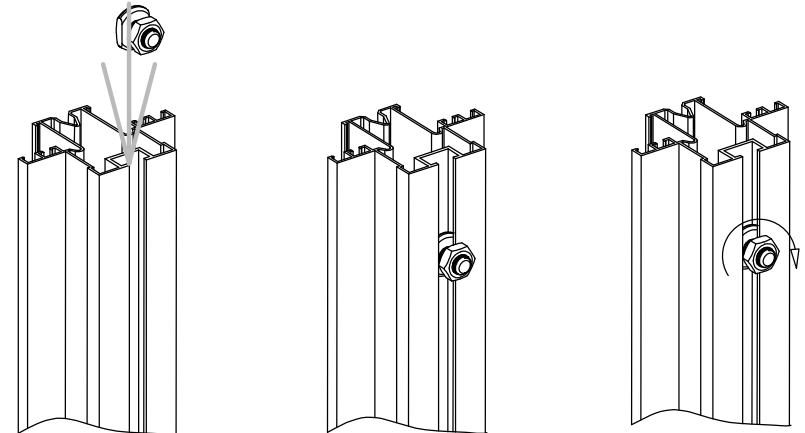


### "hexagonal screw" installation

Place the "hexagonal screw" into the groove, turn clockwise until it stops turning.

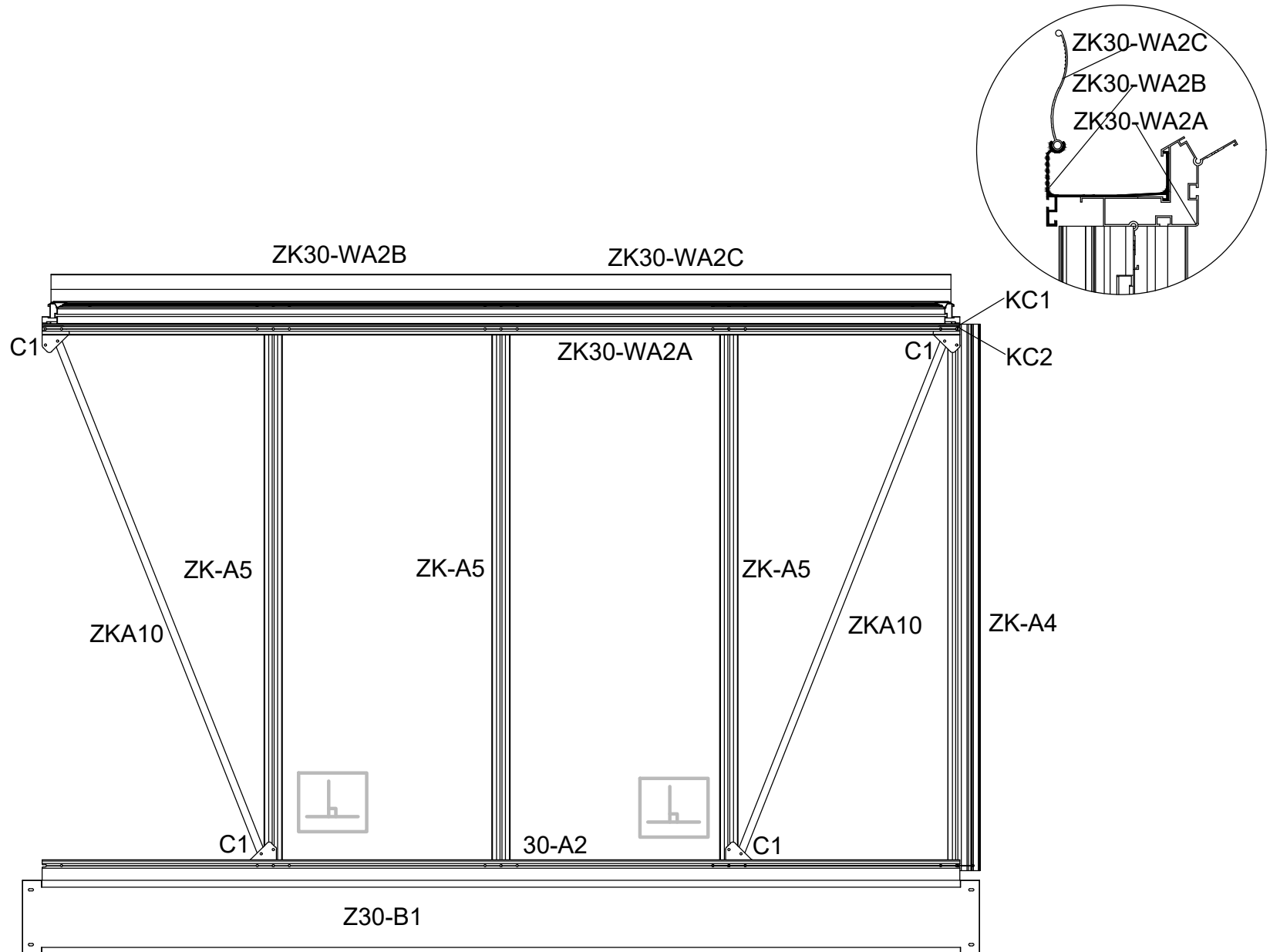
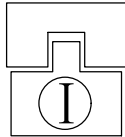
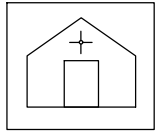
Adjust the "hexagonal screw" by hand and twist so threads fix it in place.

Place other parts on "hexagonal screw" and assemble nut.

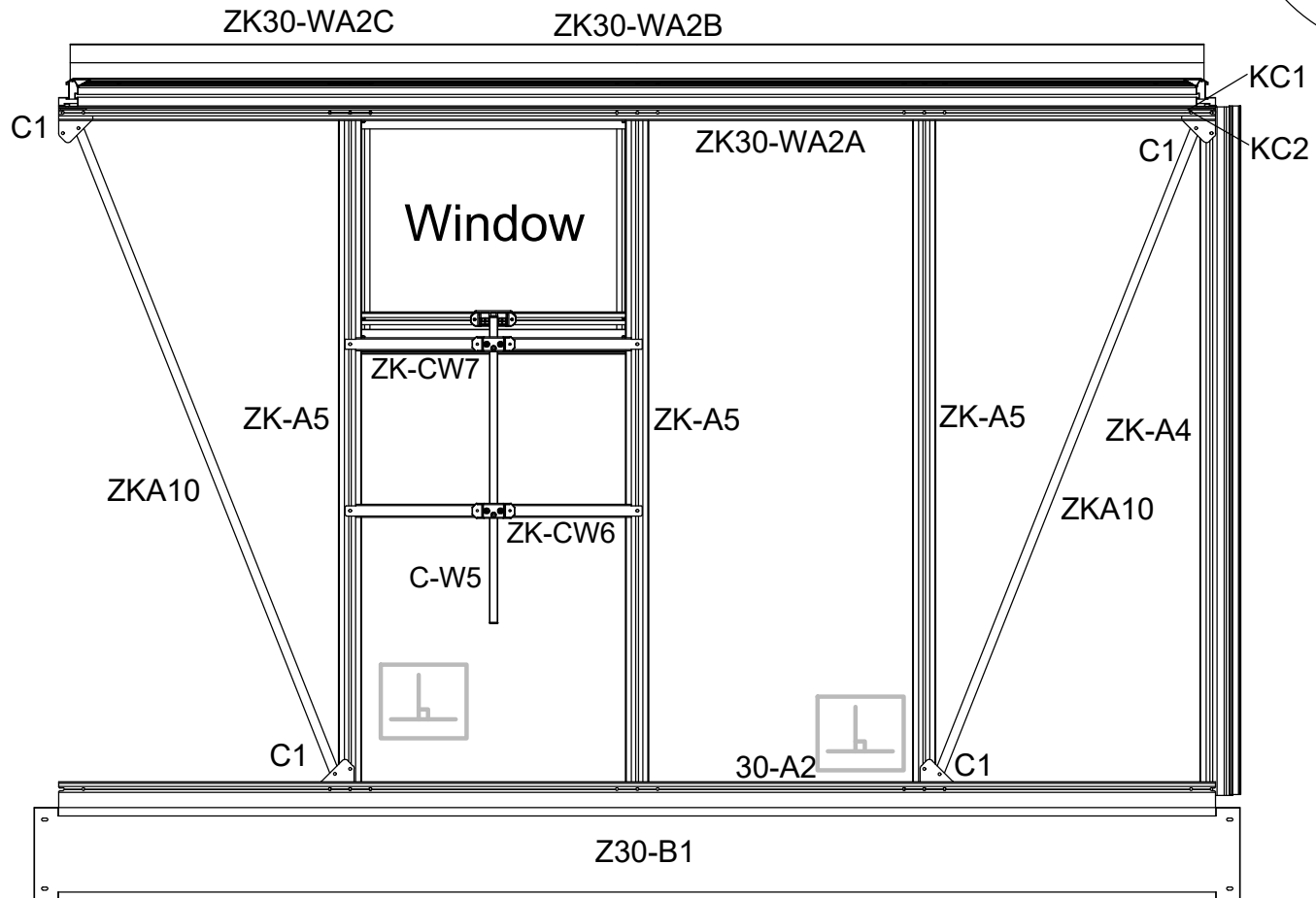
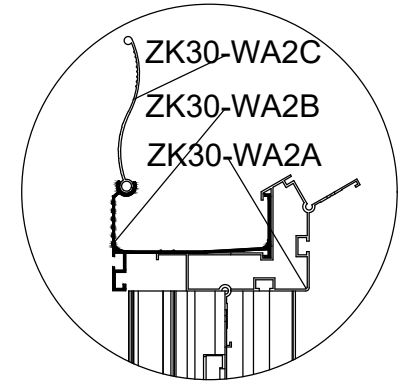
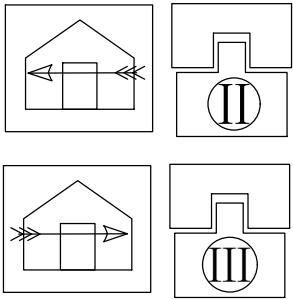




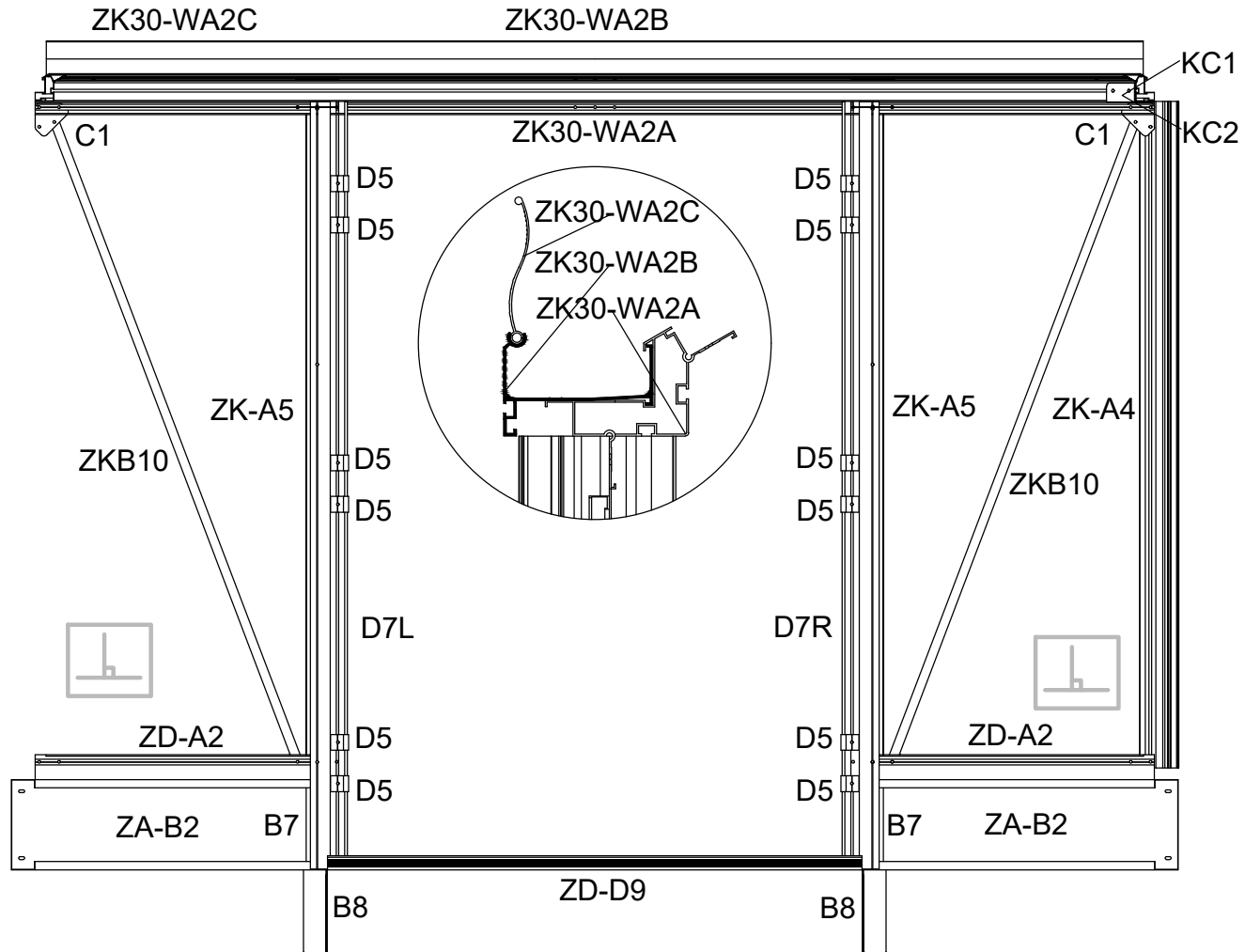
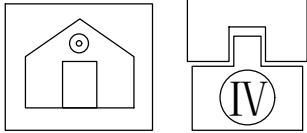
# Back wall

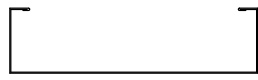
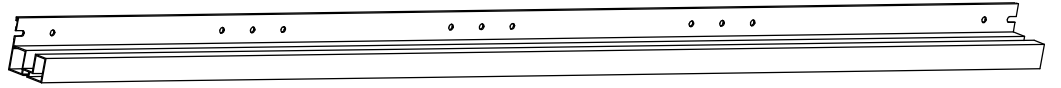
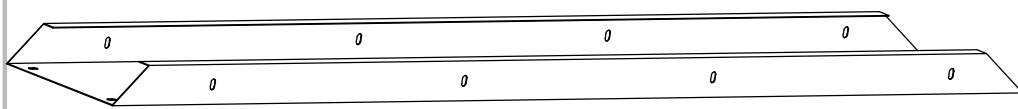


# Left and right walls

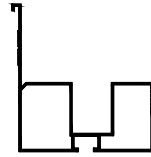


# Front wall

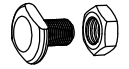




Z30-B1  
x3

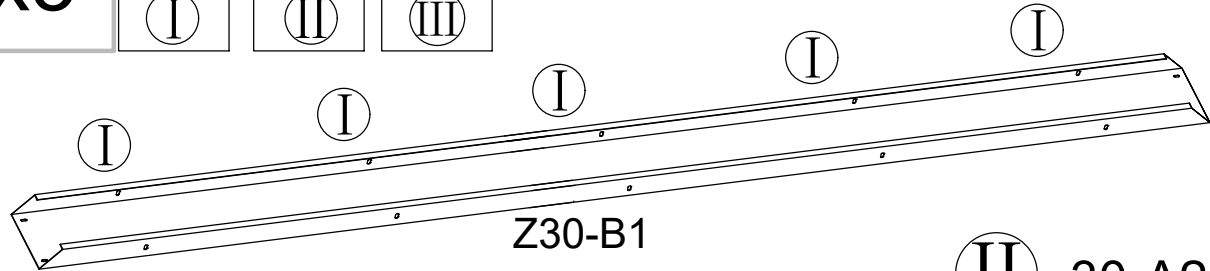
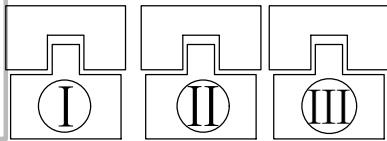


30-A2  
x3

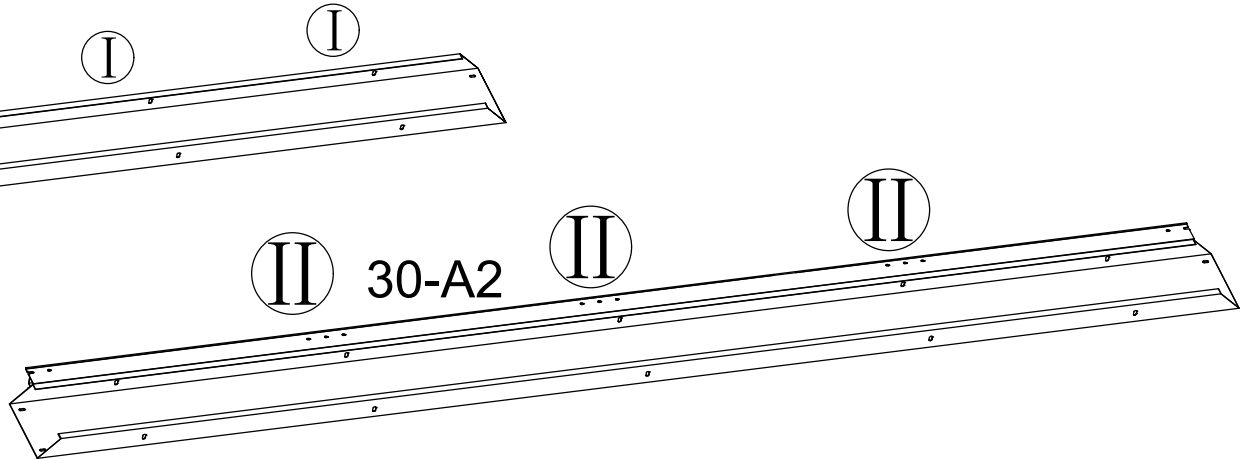


F4 x24

x3

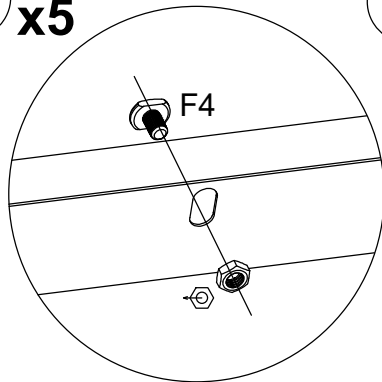


Z30-B1

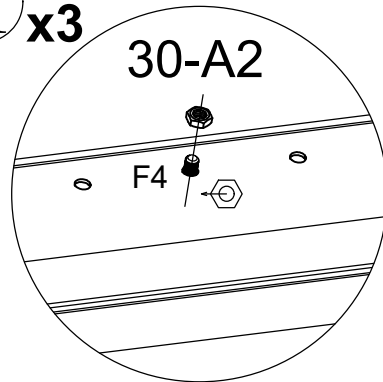


30-A2

I x5

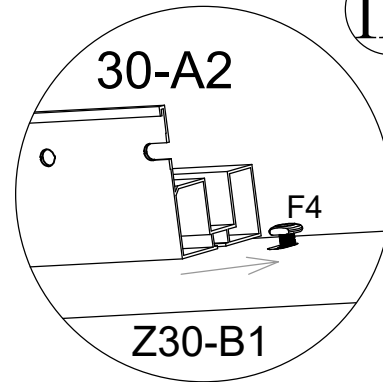


II x3



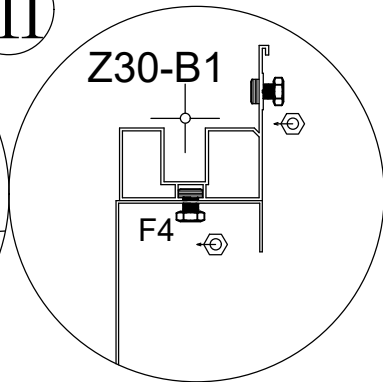
30-A2

III



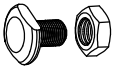
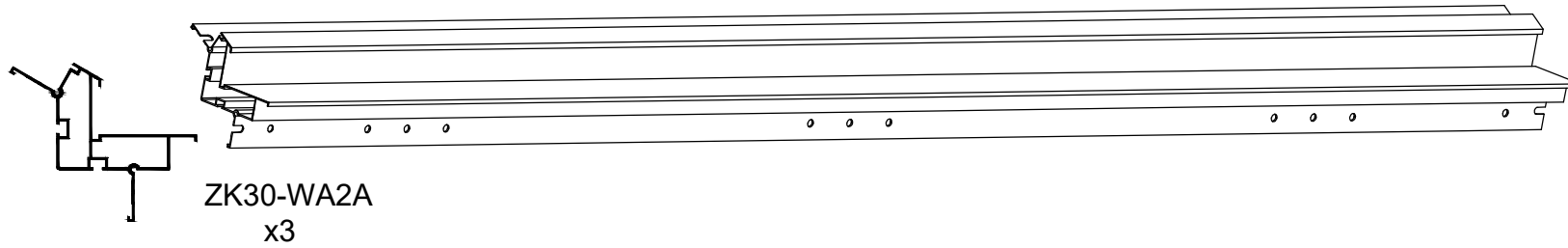
30-A2

Z30-B1



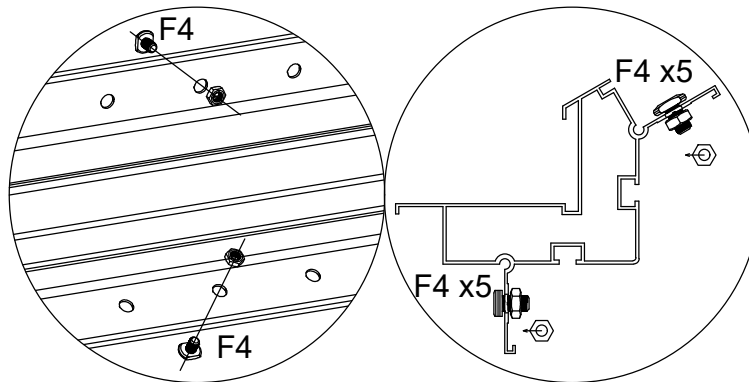
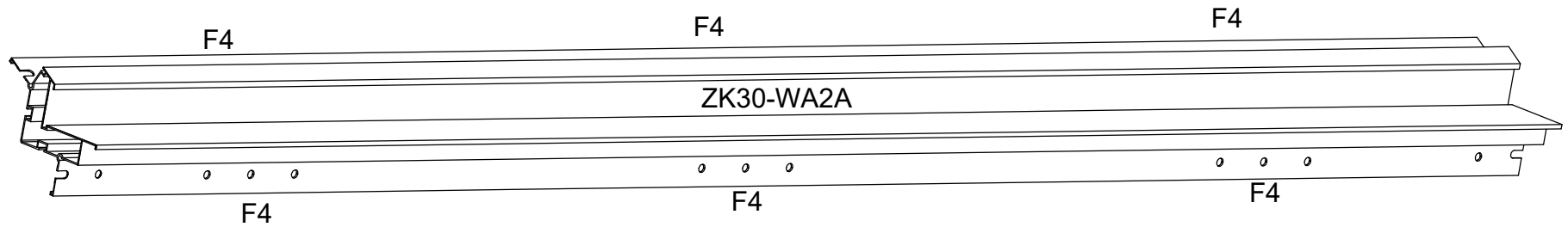
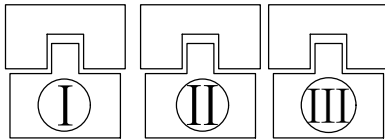
Z30-B1

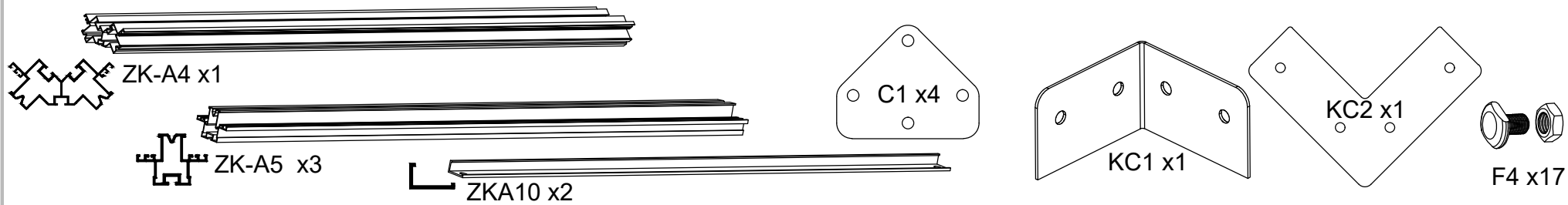
F4



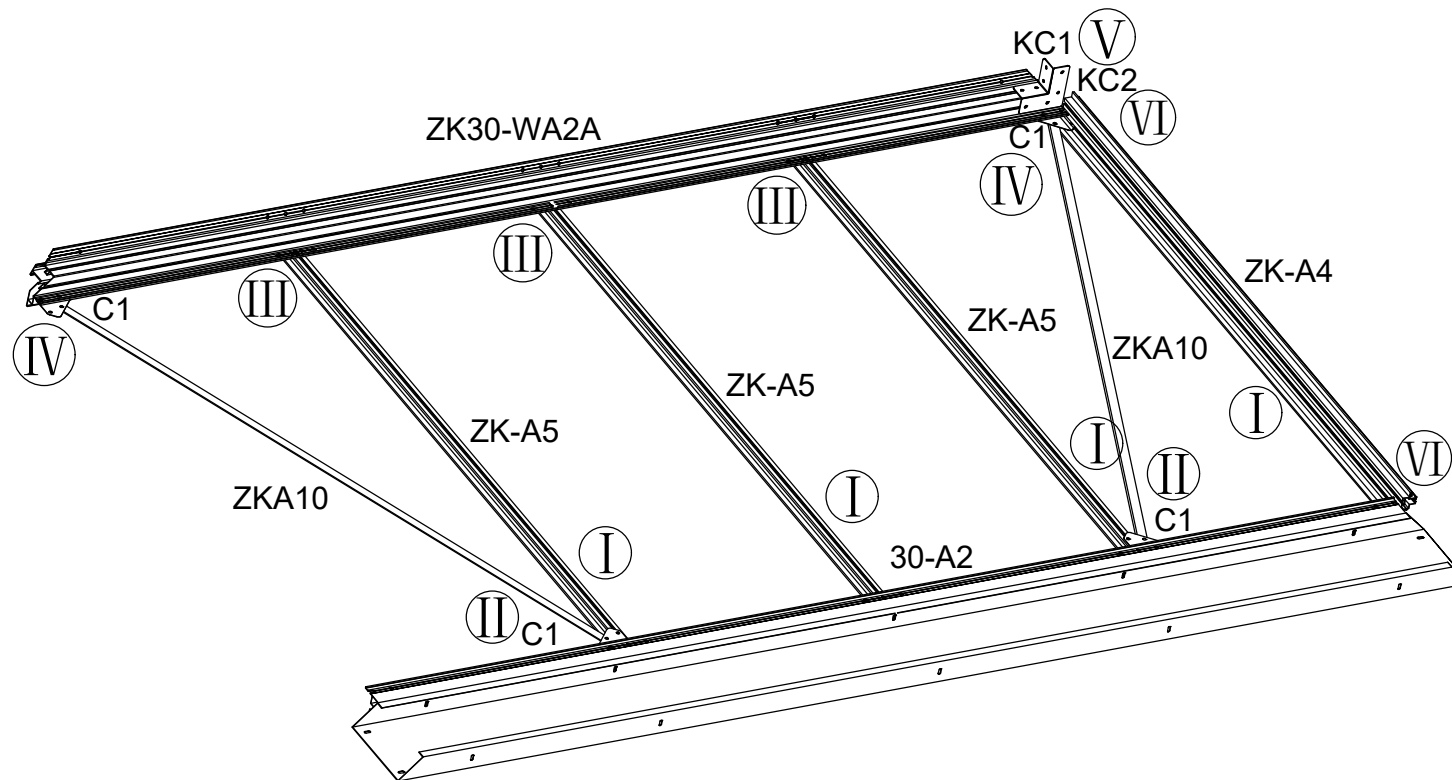
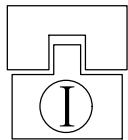
F4 x18

x3

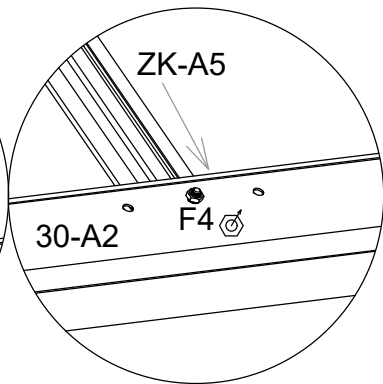
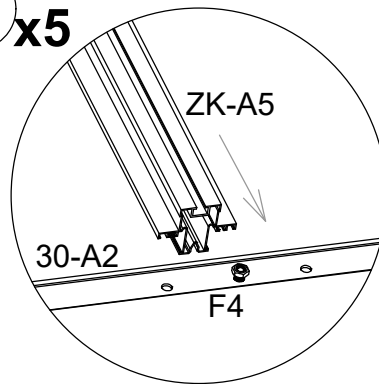




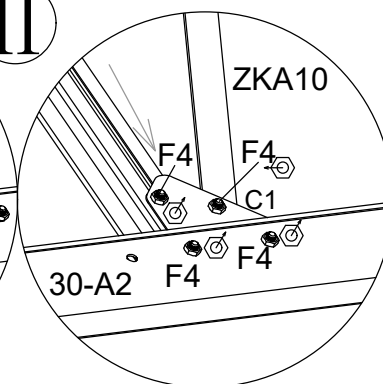
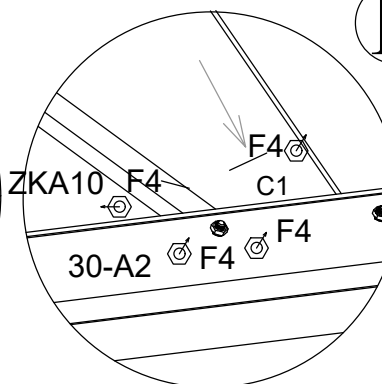
## Back wall



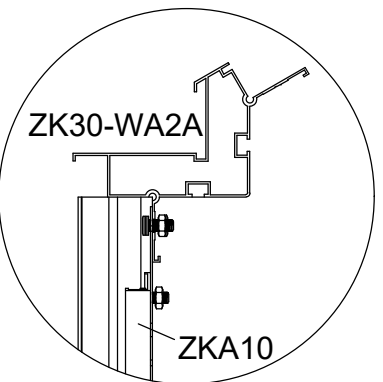
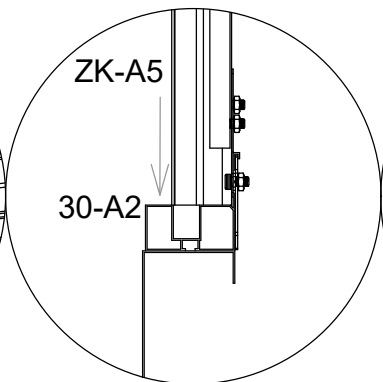
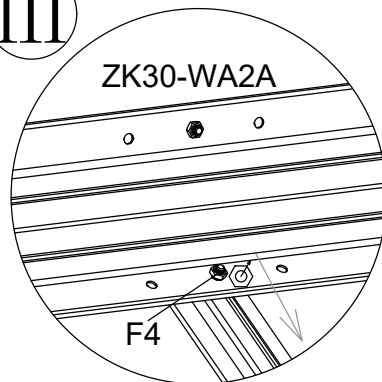
I x5



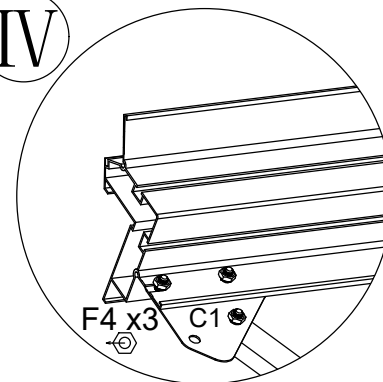
II



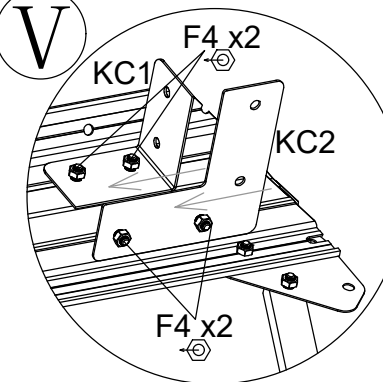
III



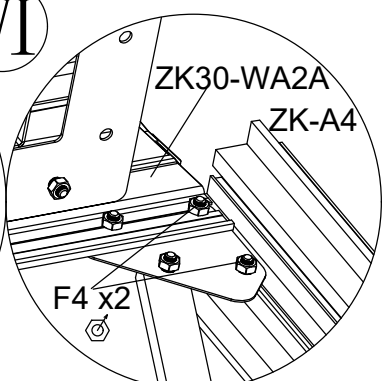
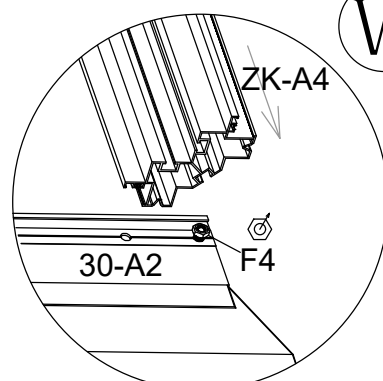
IV

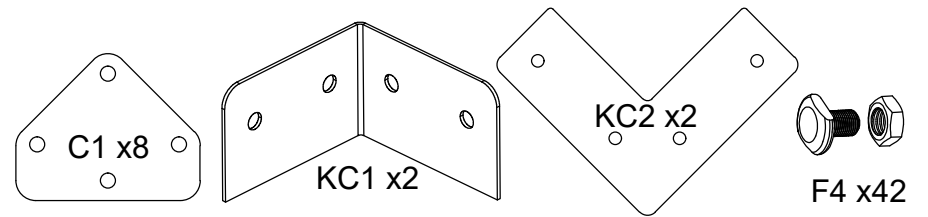
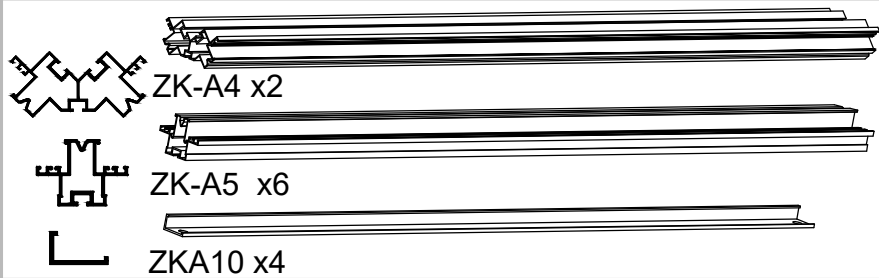


V

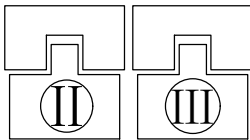


VI

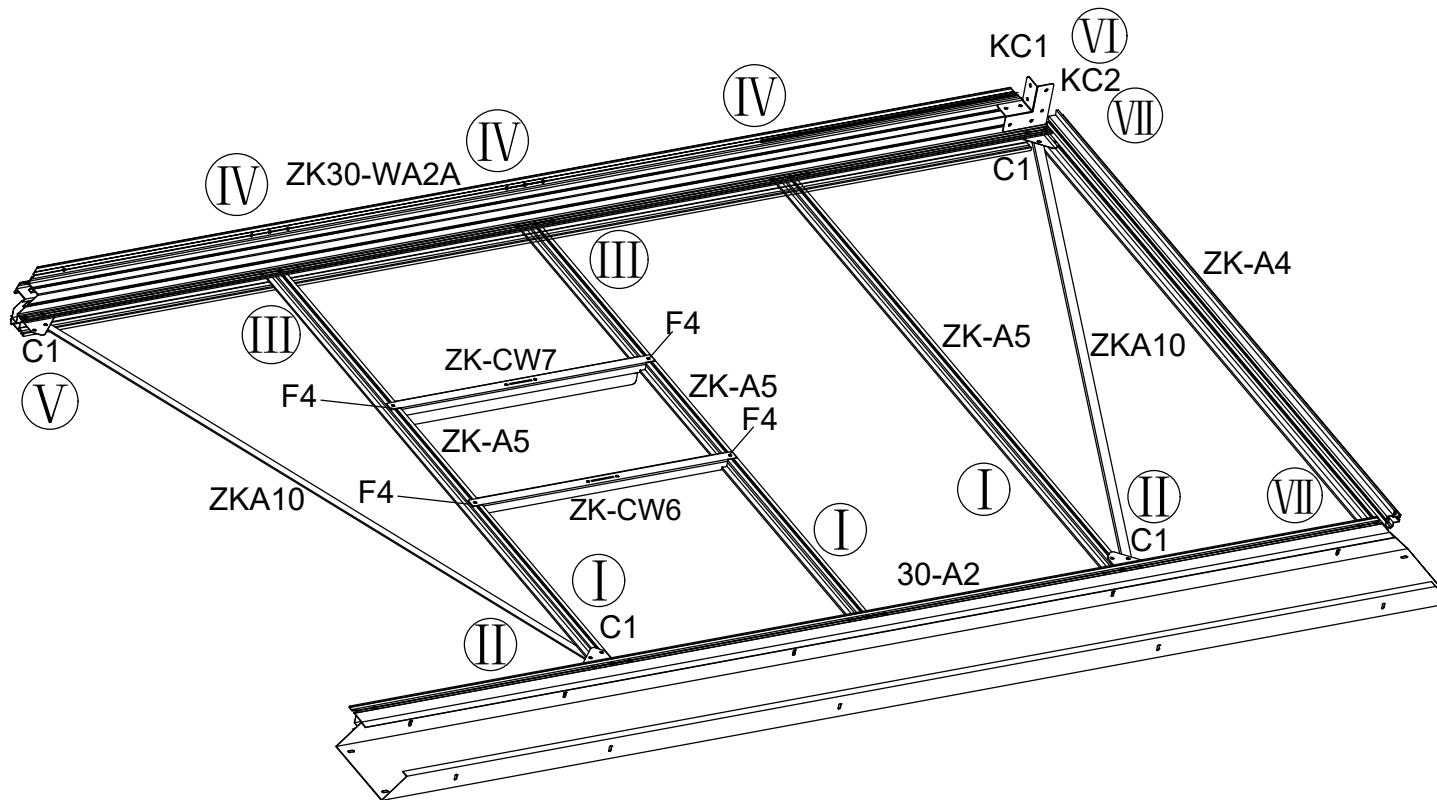




x2

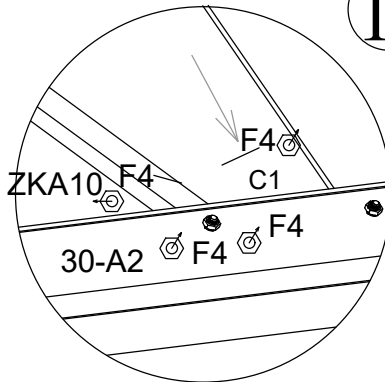
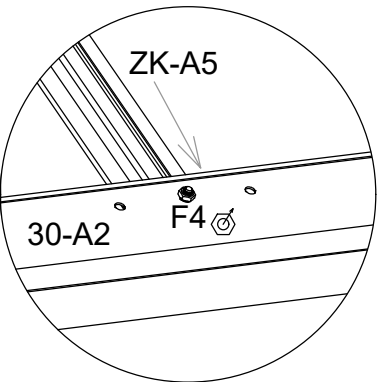
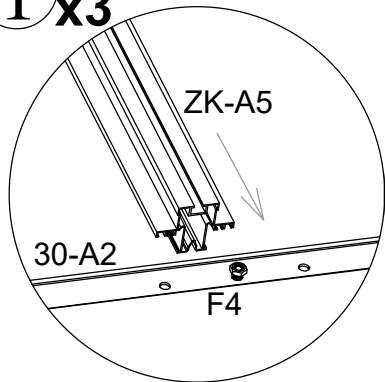


Left and right walls

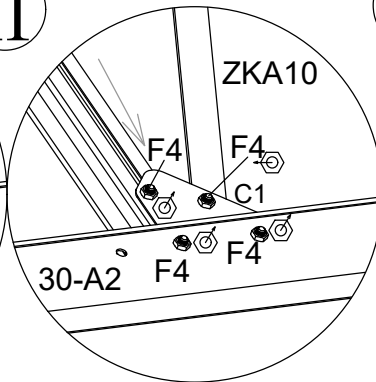




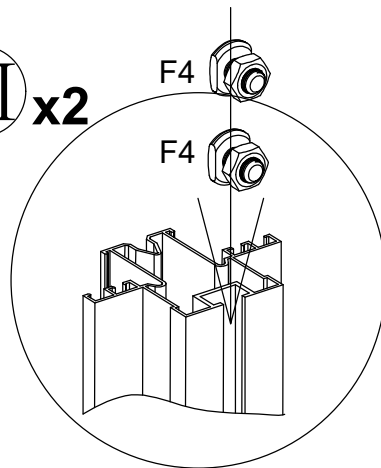
I x3



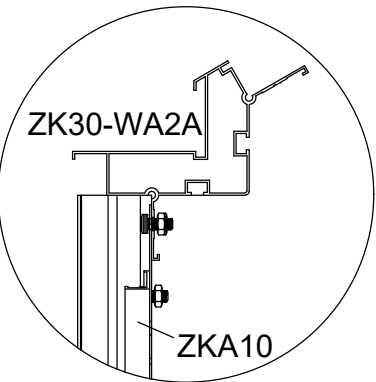
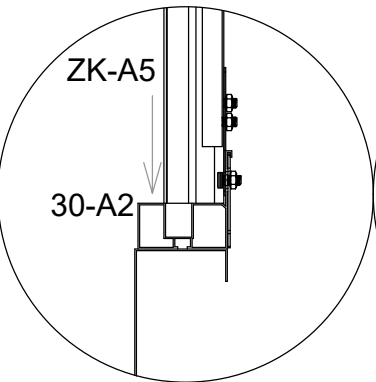
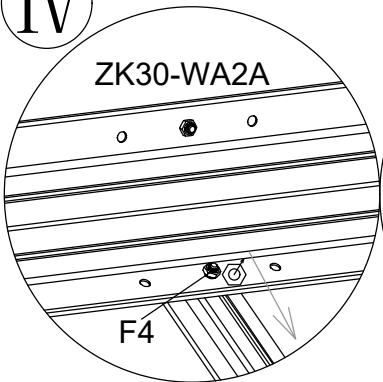
II



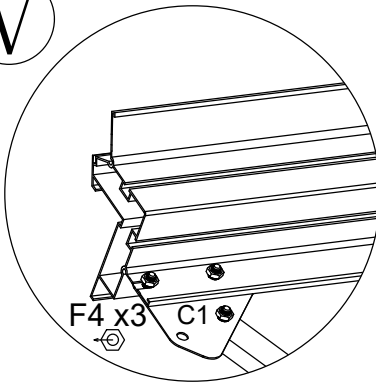
III x2



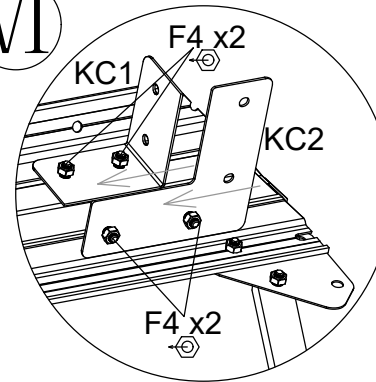
IV



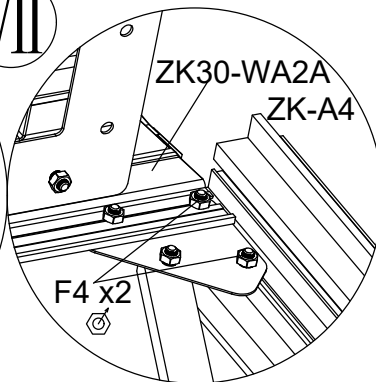
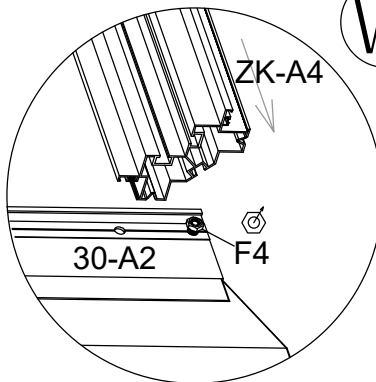
V

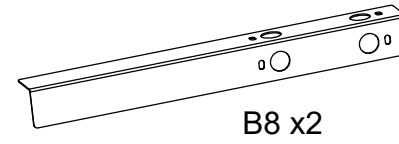
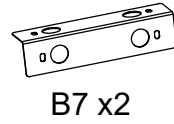
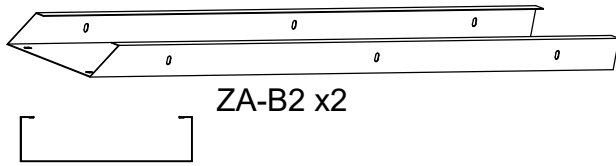


VI

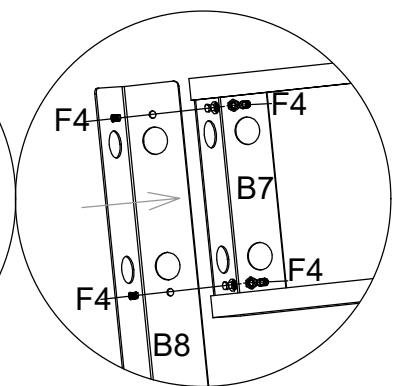
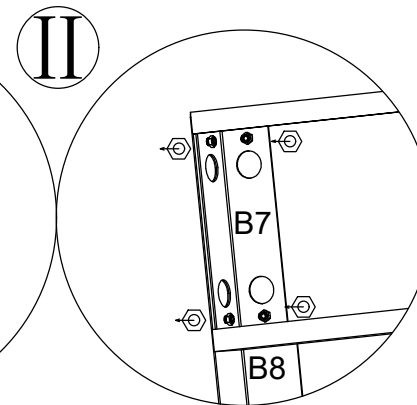
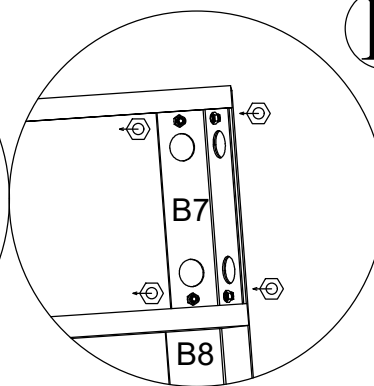
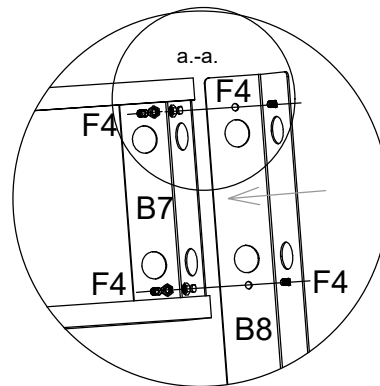
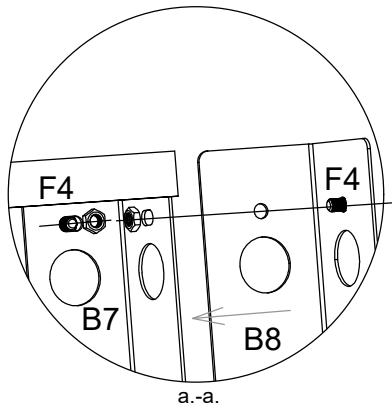
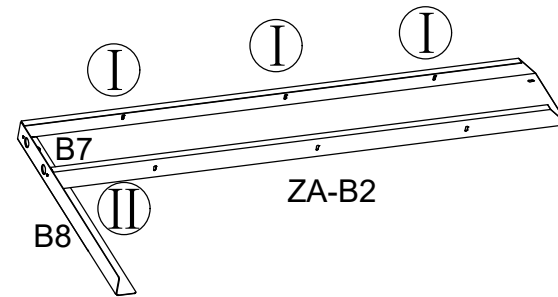
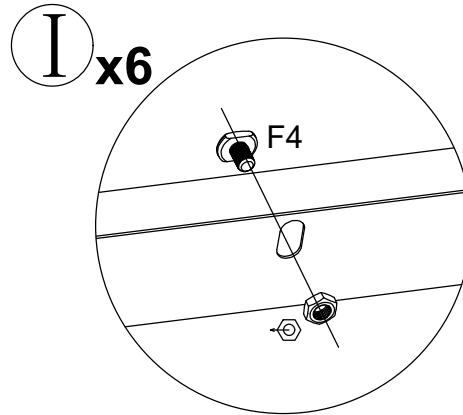
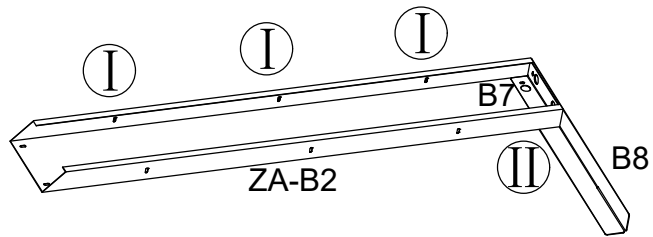
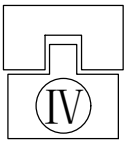


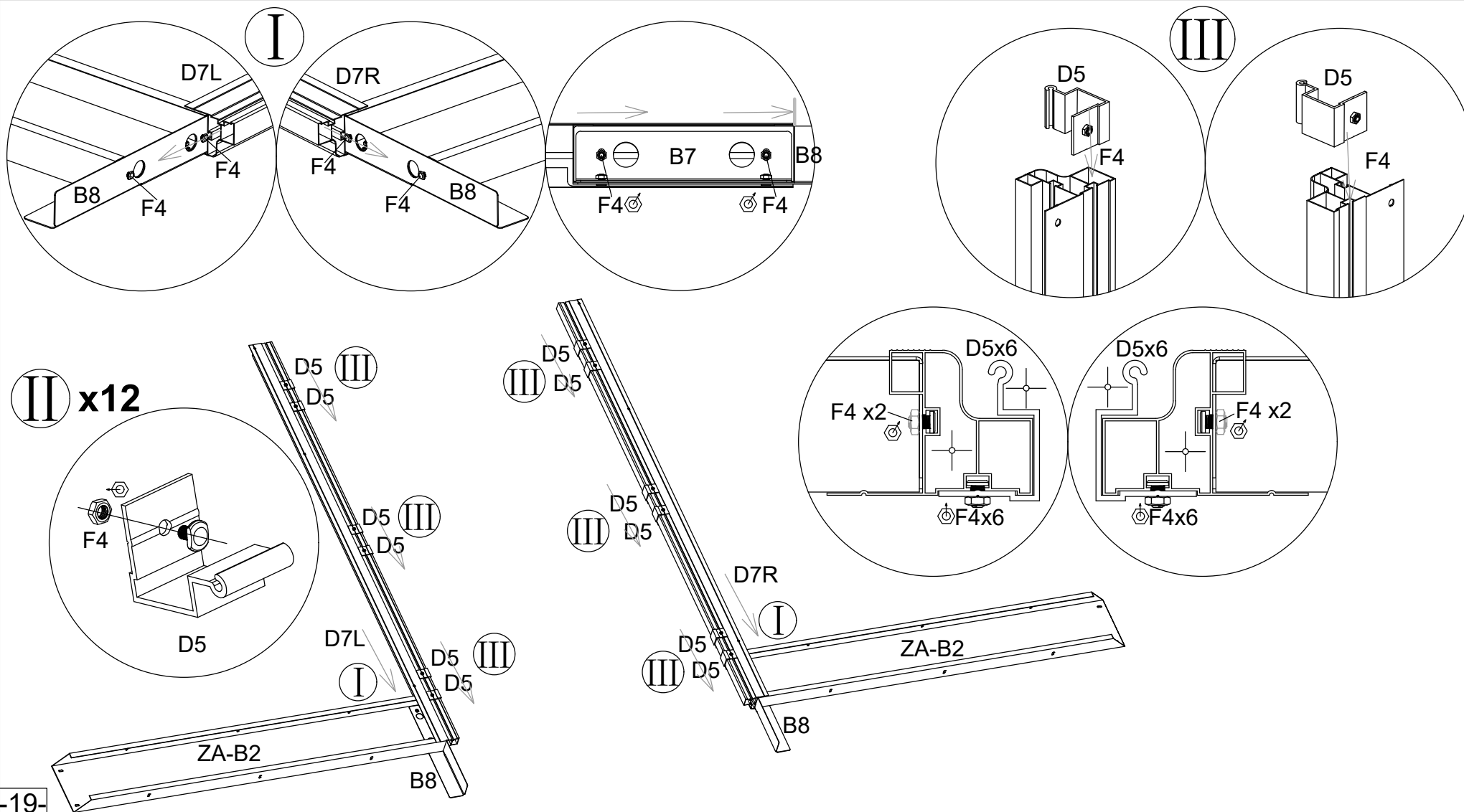
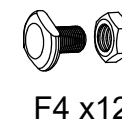
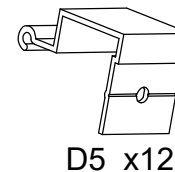
VII

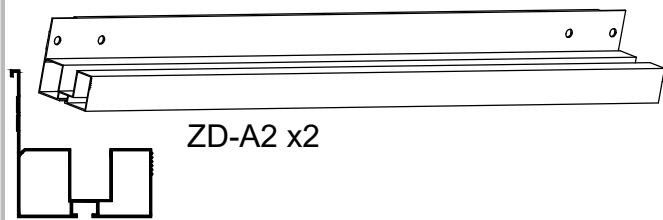




### Front wall



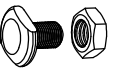




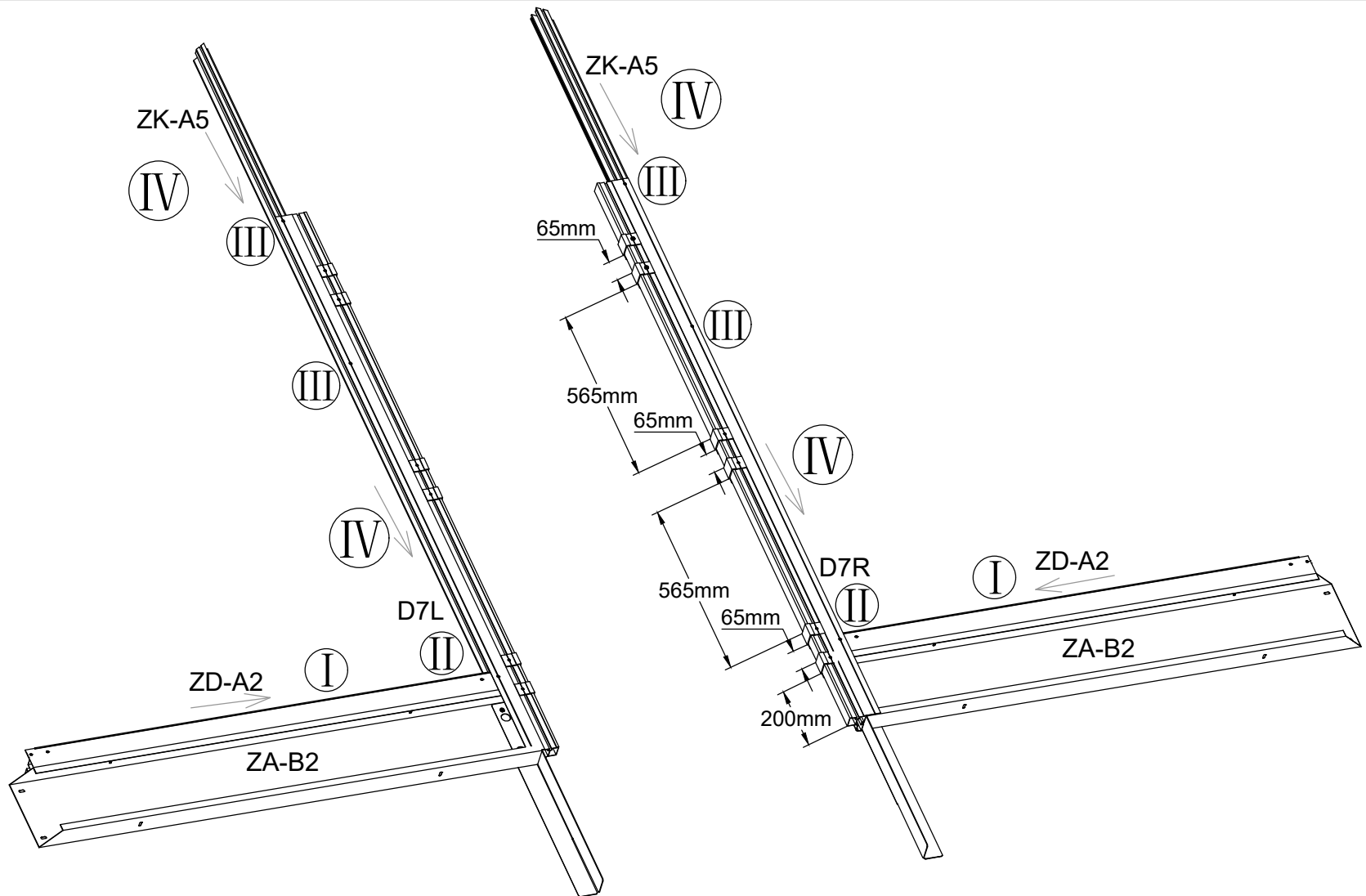
ZD-A2 x2

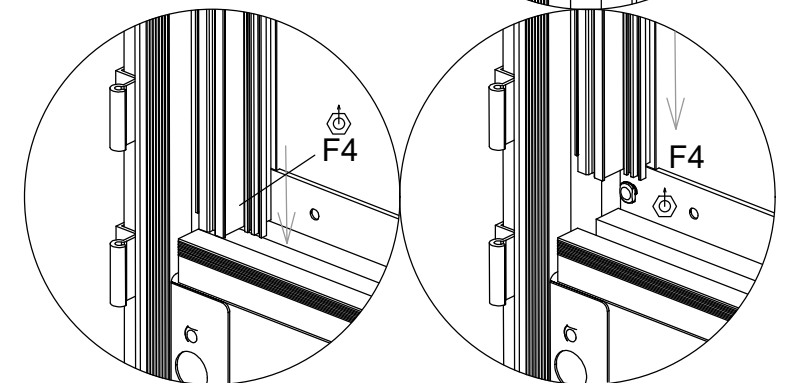
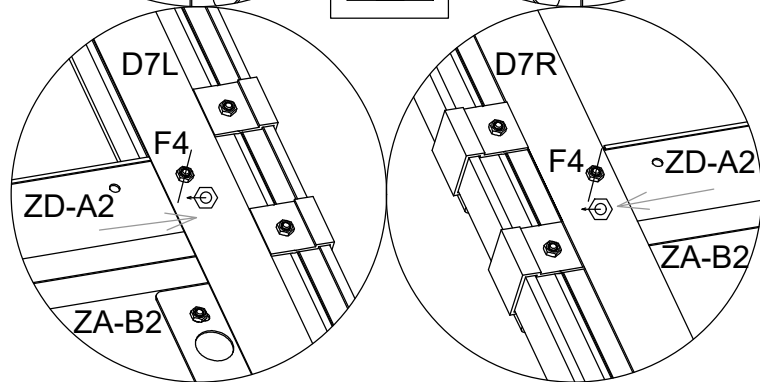
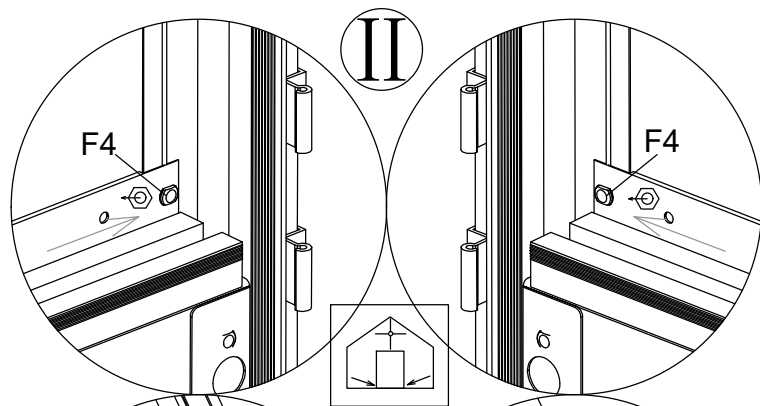
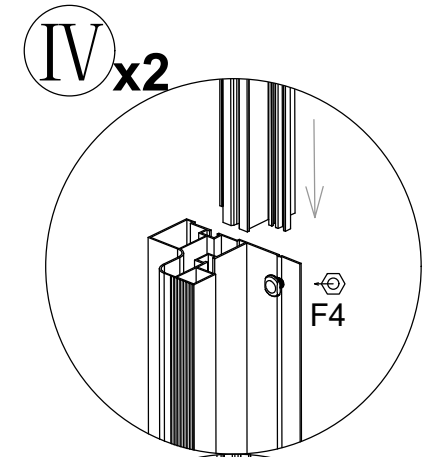
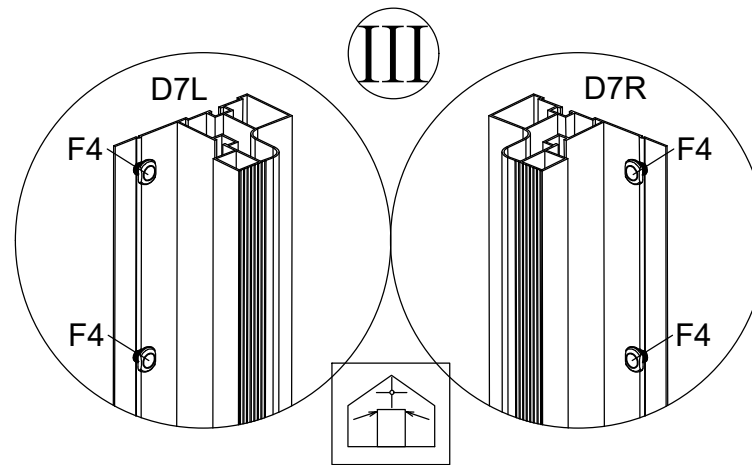
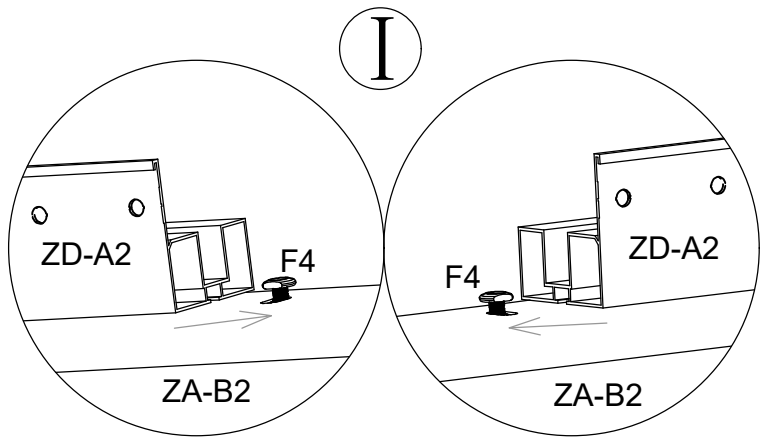


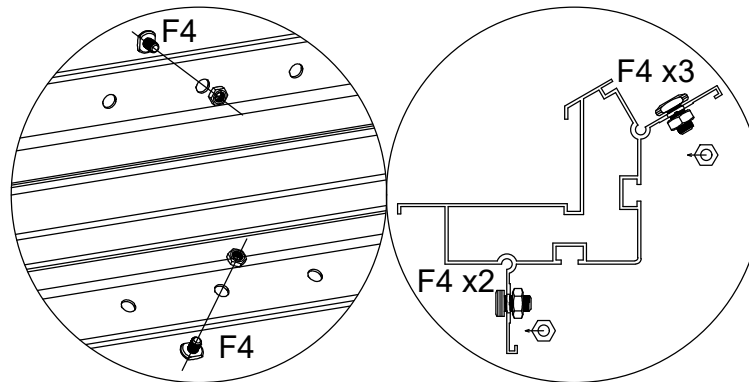
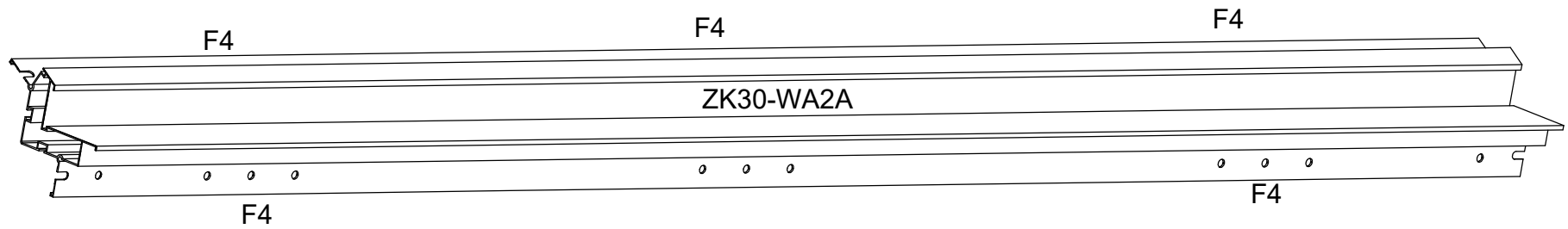
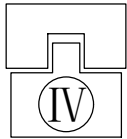
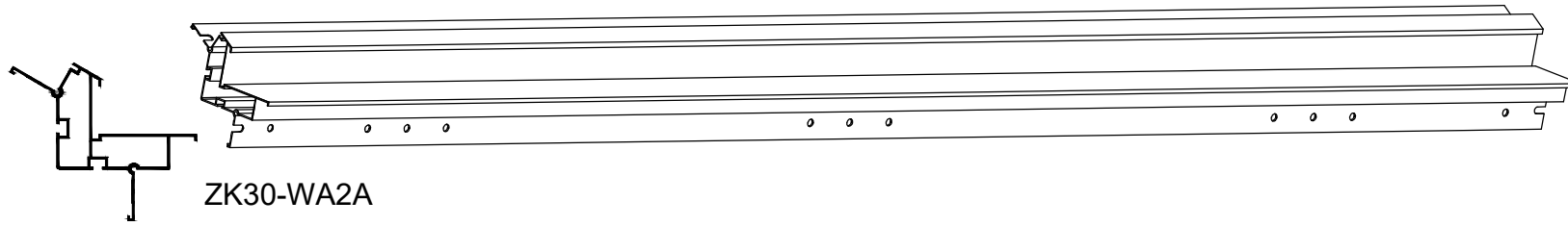
ZK-A5 x2

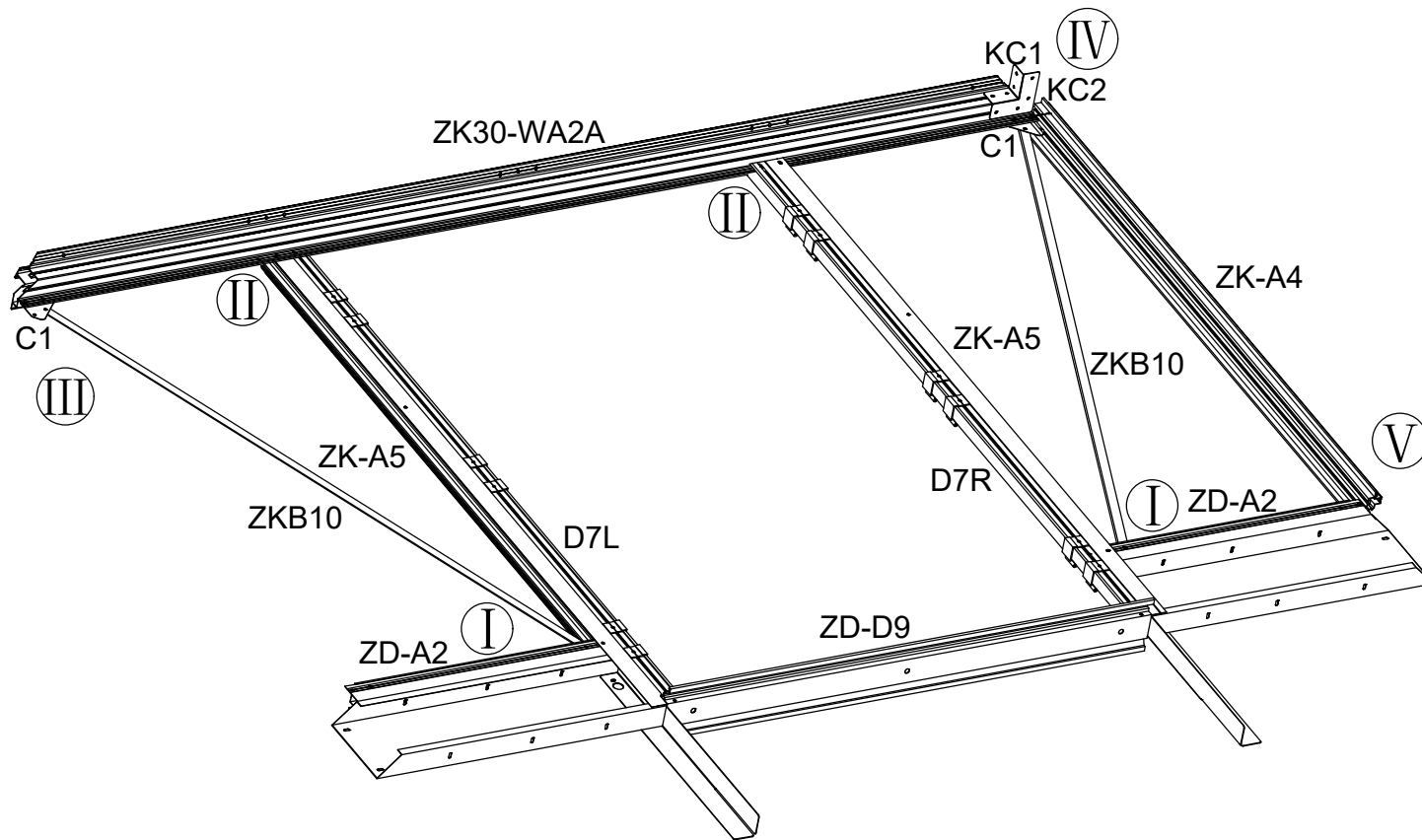
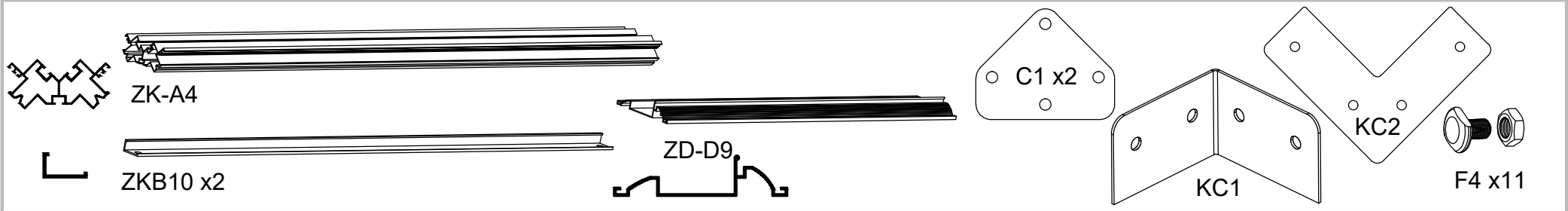


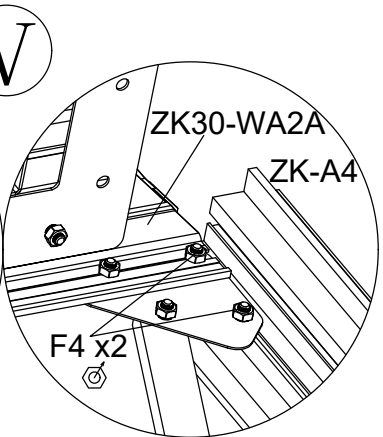
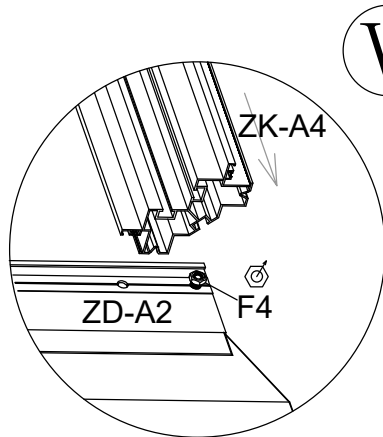
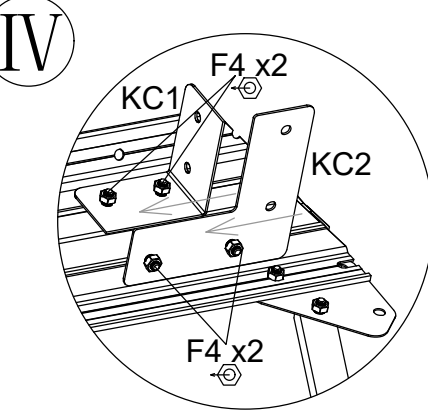
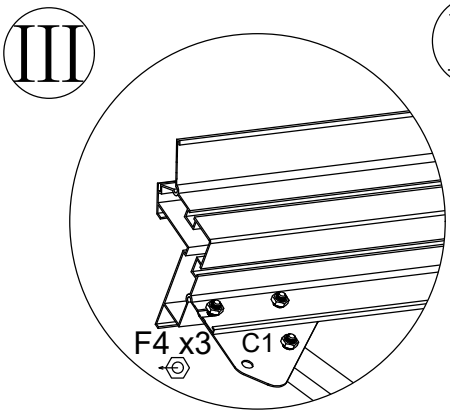
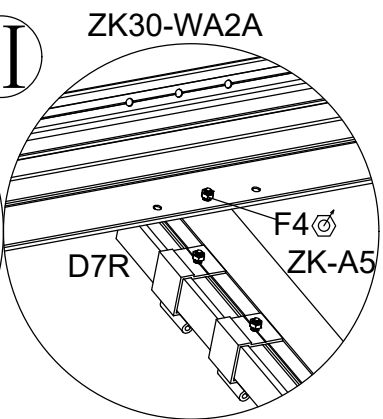
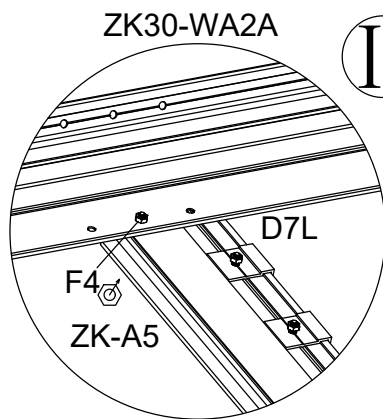
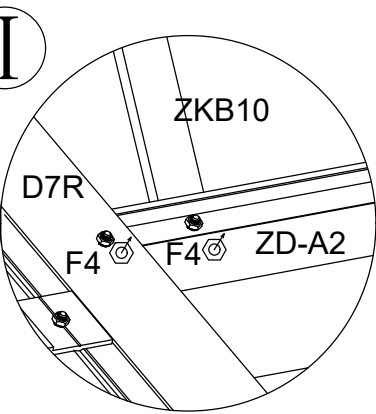
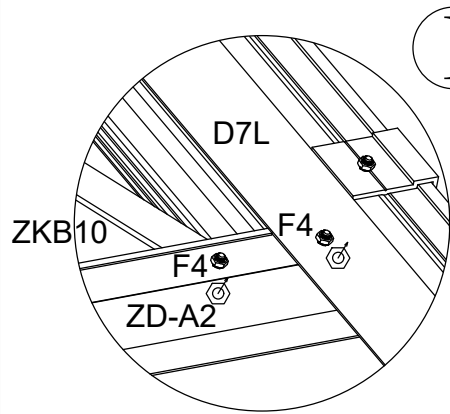
F4 x6



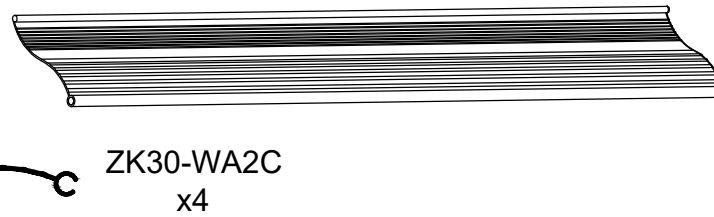
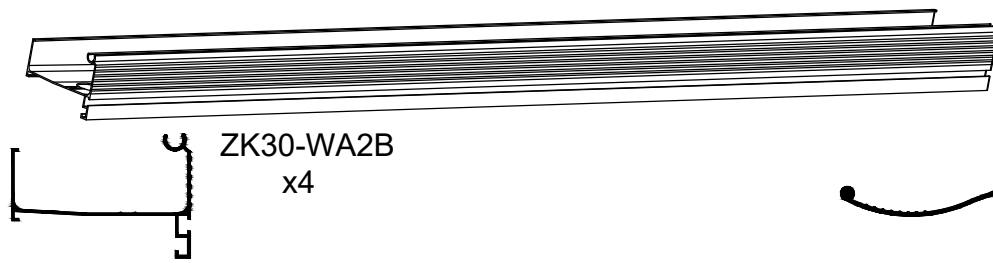




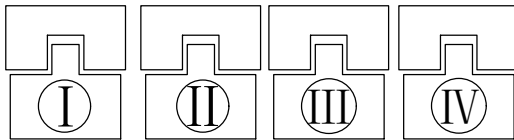




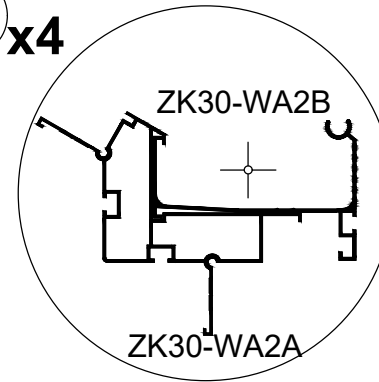




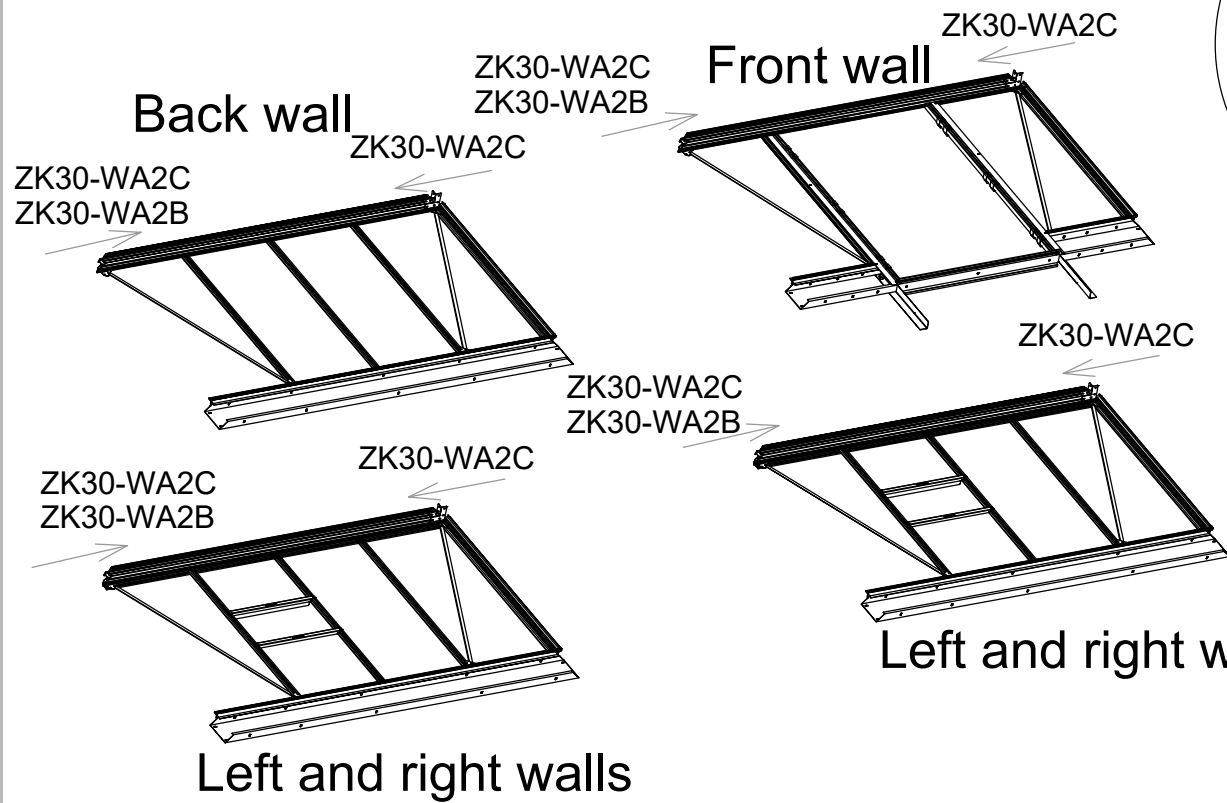
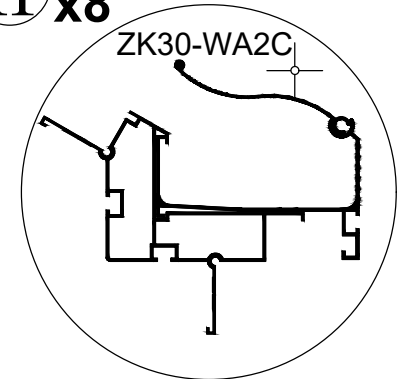
x4



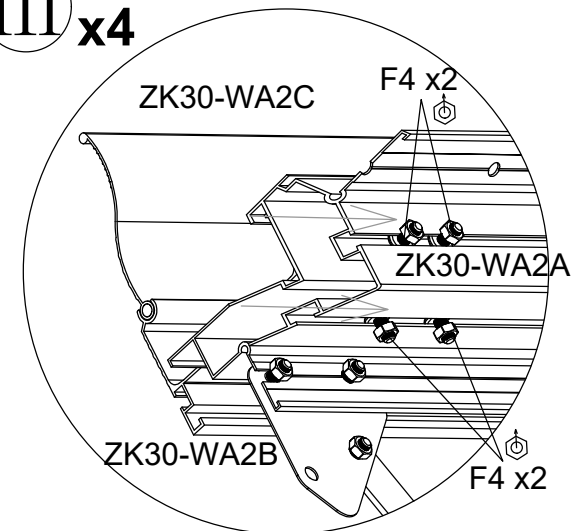
I x4



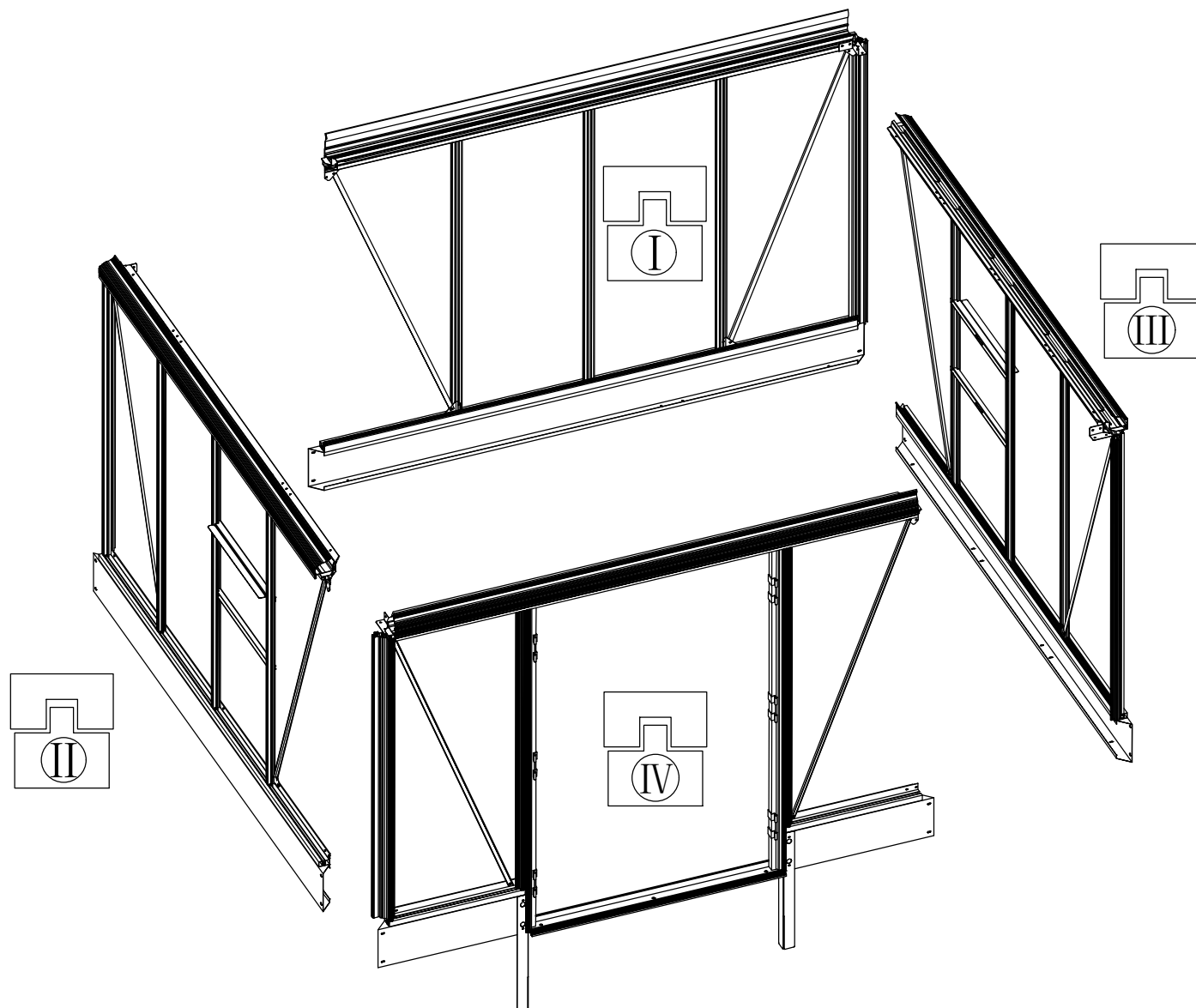
II x8

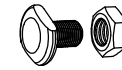
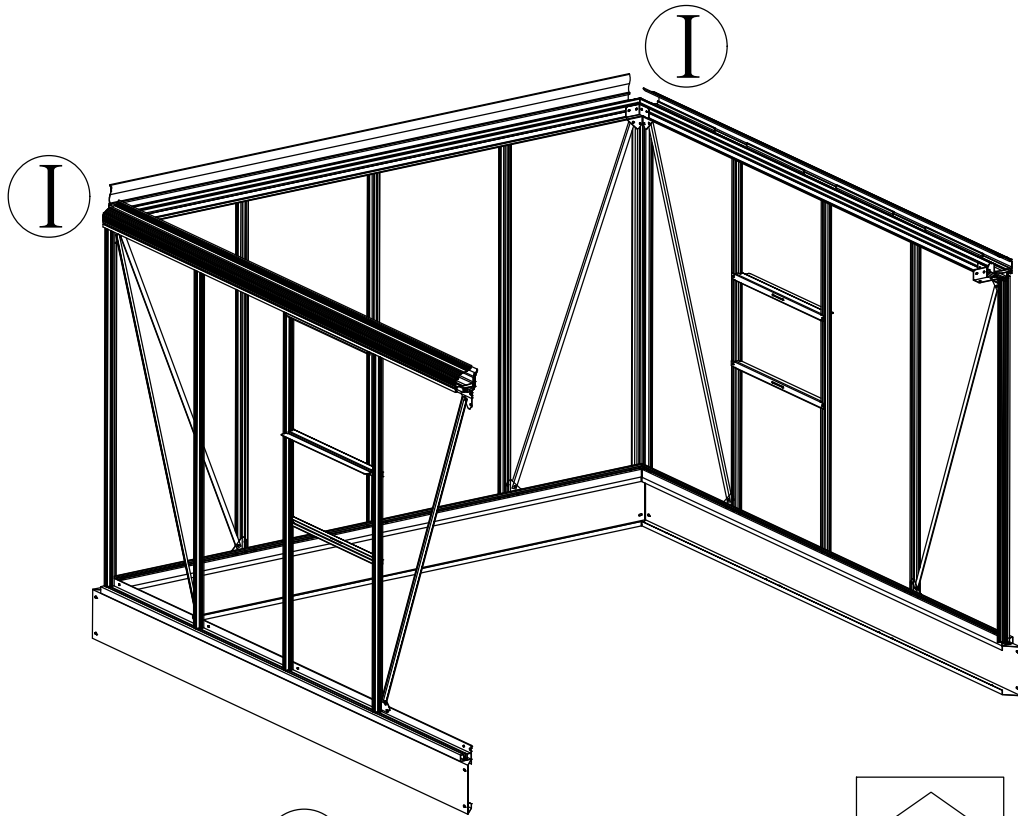


III x4



Assembled above the foundation



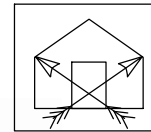


F4 x4

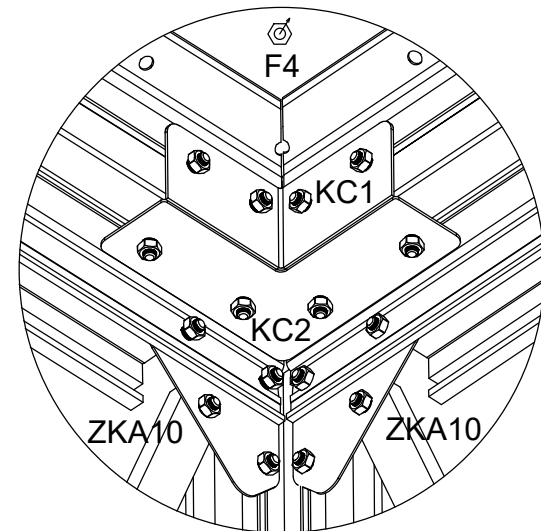
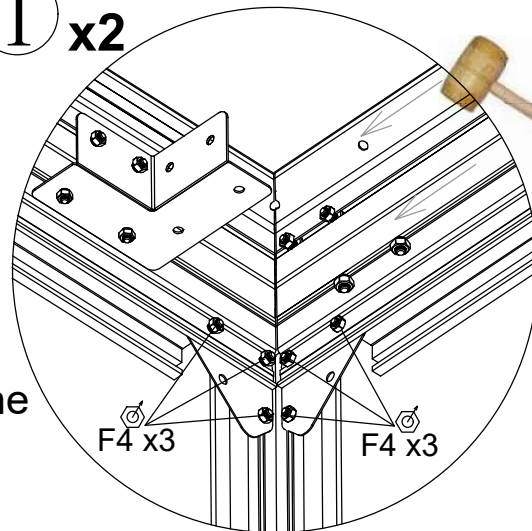


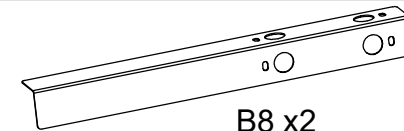
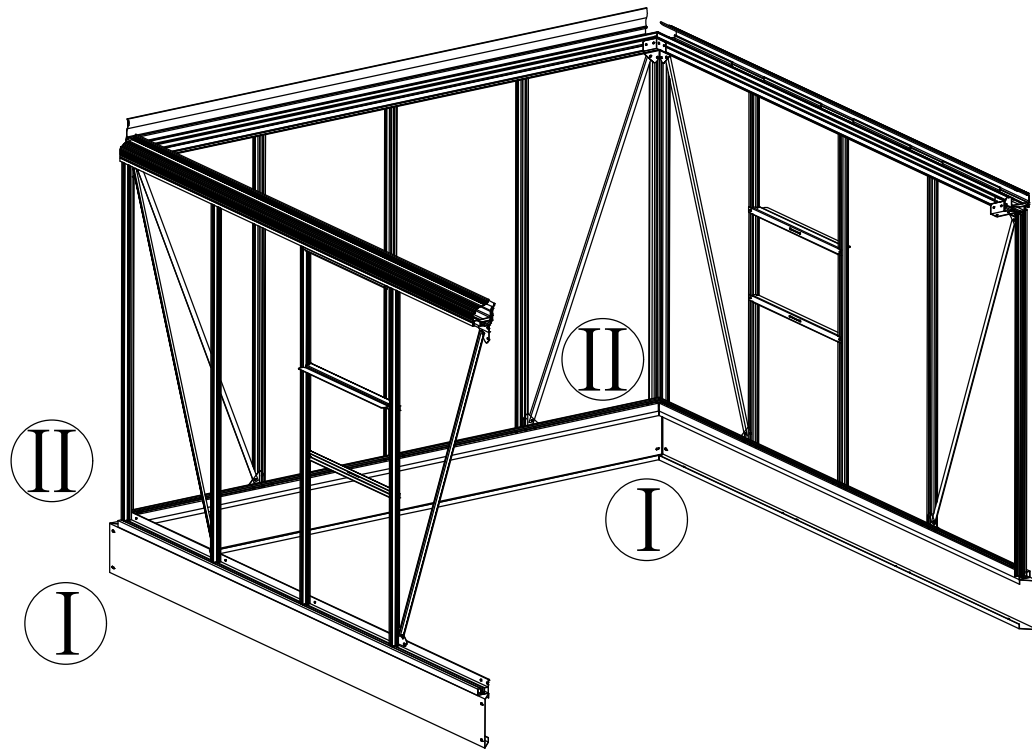
Wooden Mallet

**I** x2

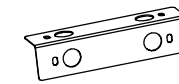


This step requires the removal of A10 first.





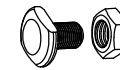
B8 x2



B7 x2



B9 x2



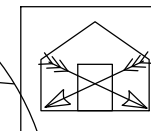
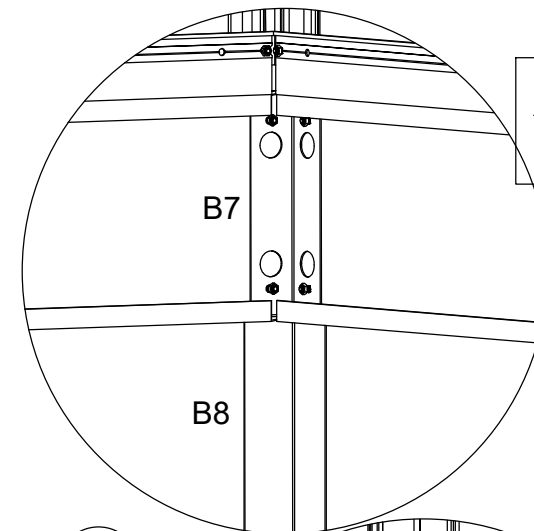
F4 x12

II

I

II

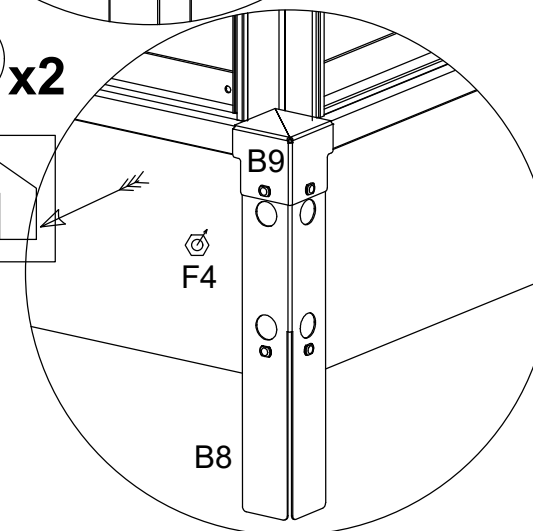
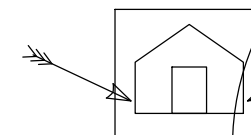
I



B7

B8

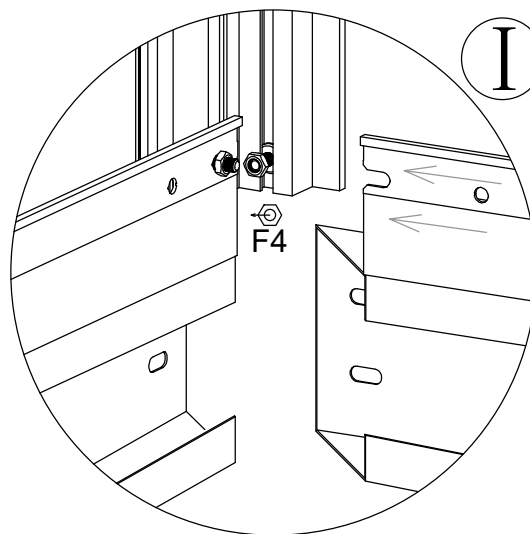
II x2



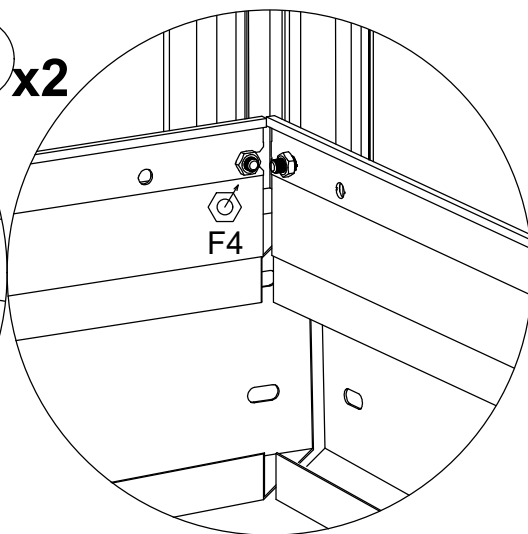
F4

B8

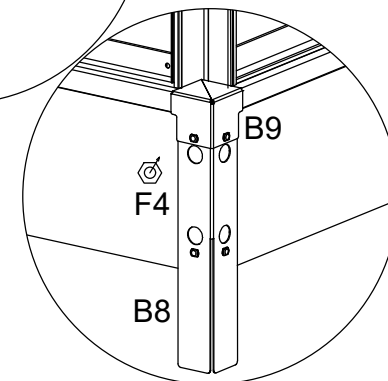
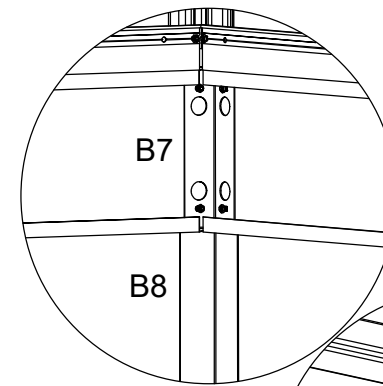
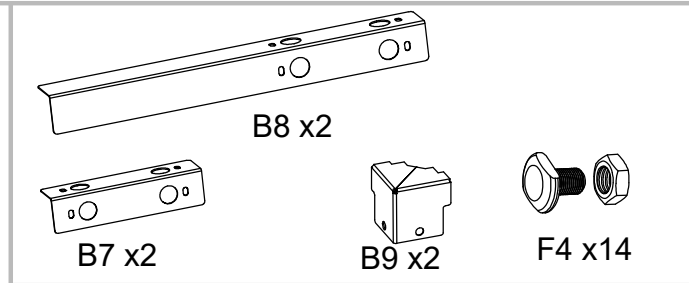
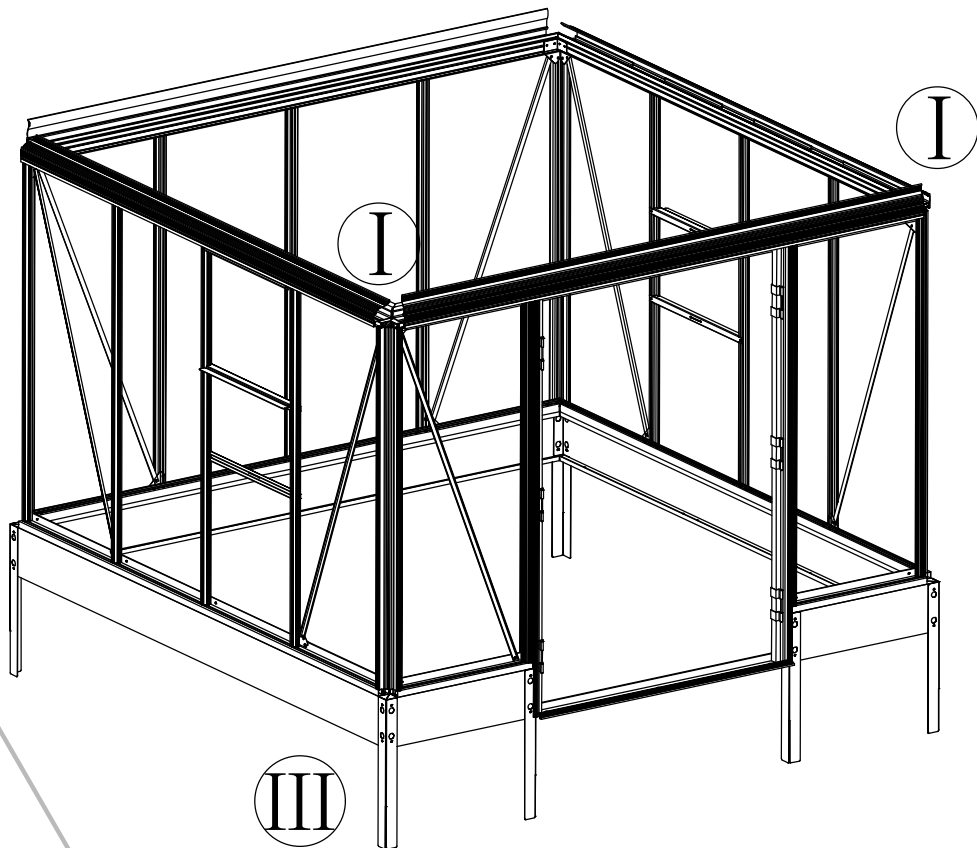
I x2



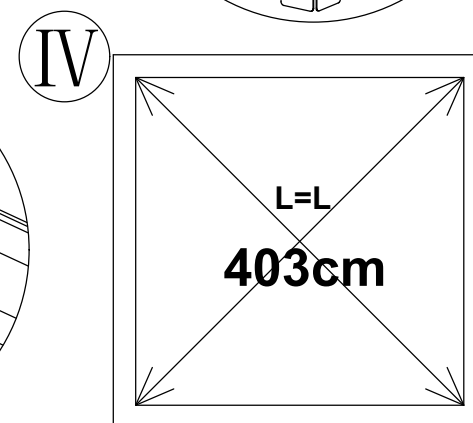
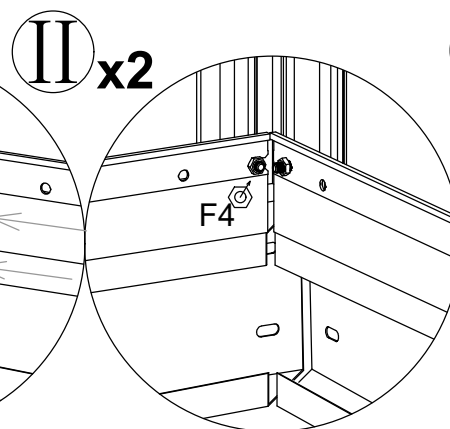
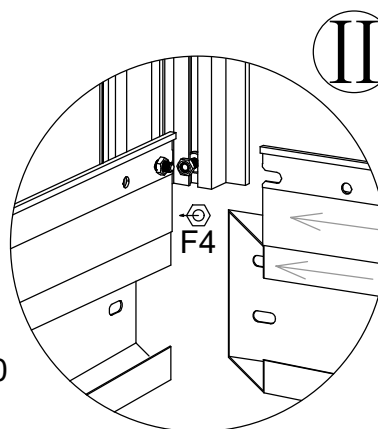
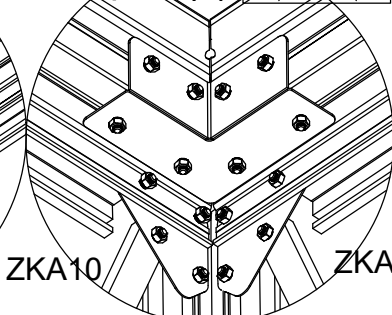
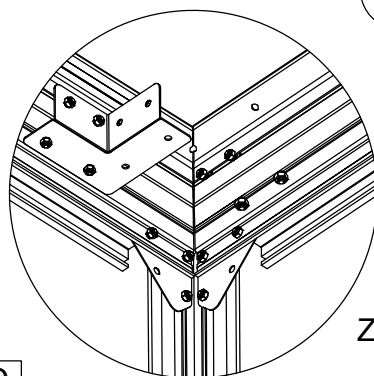
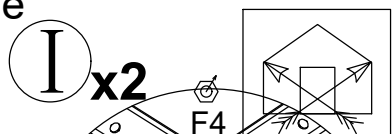
F4



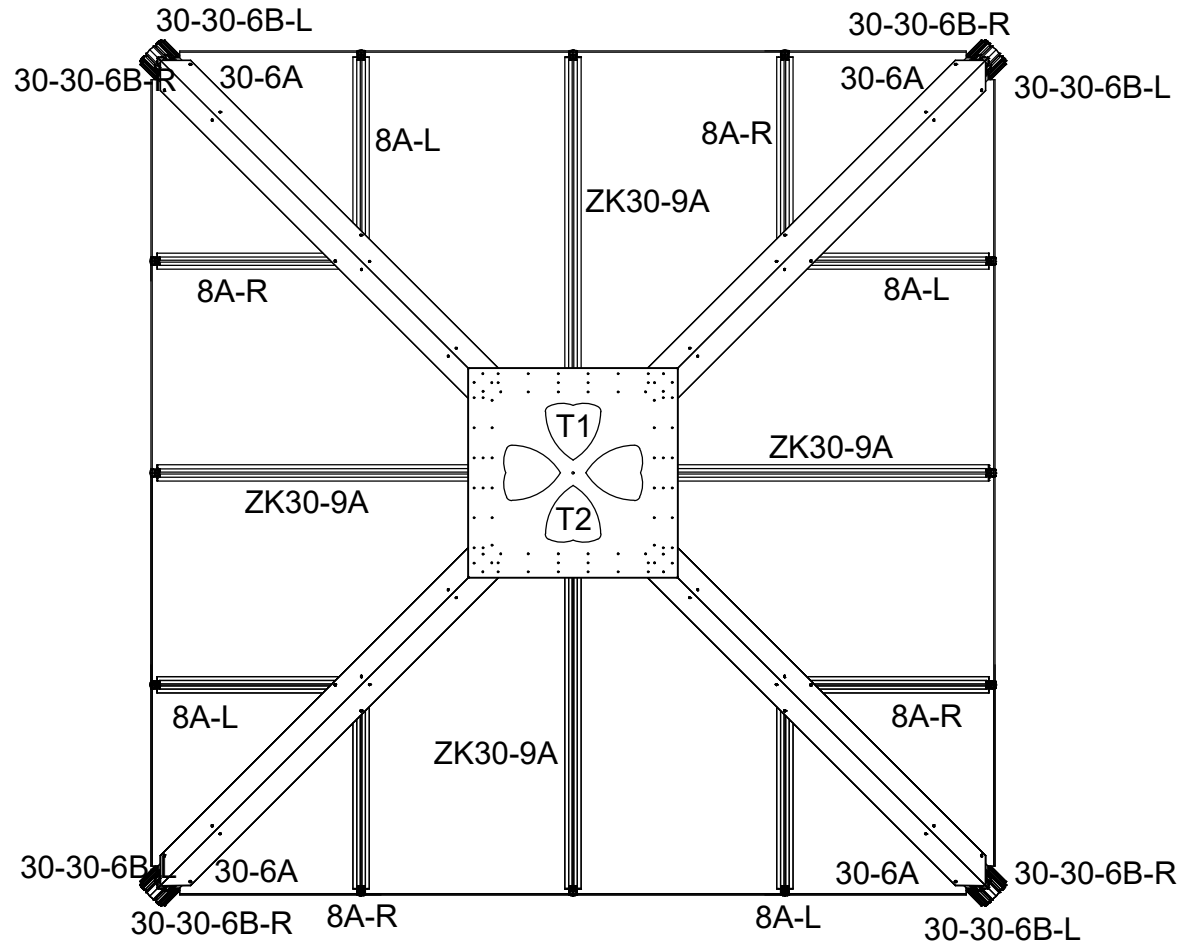
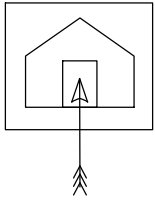
F4

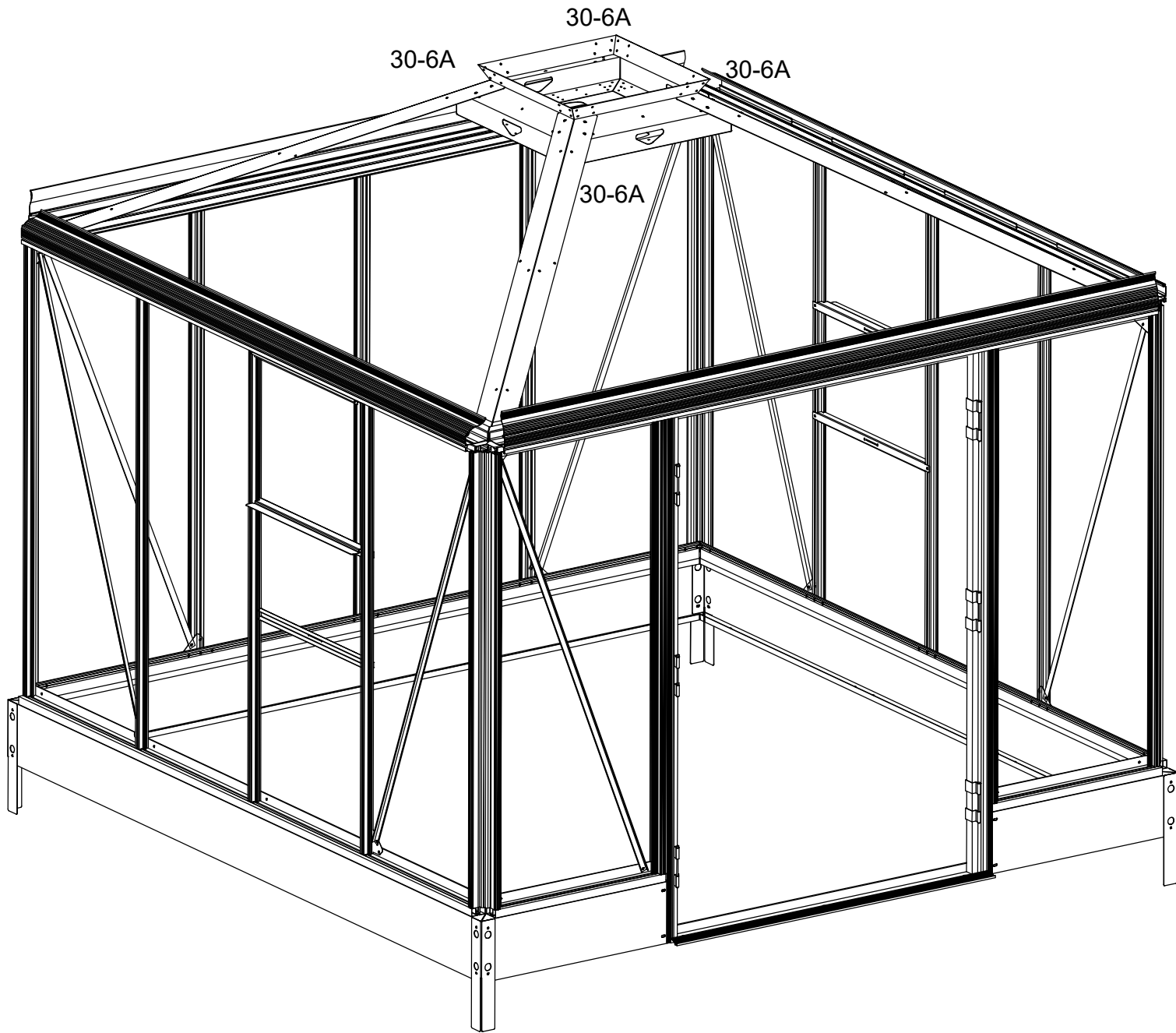


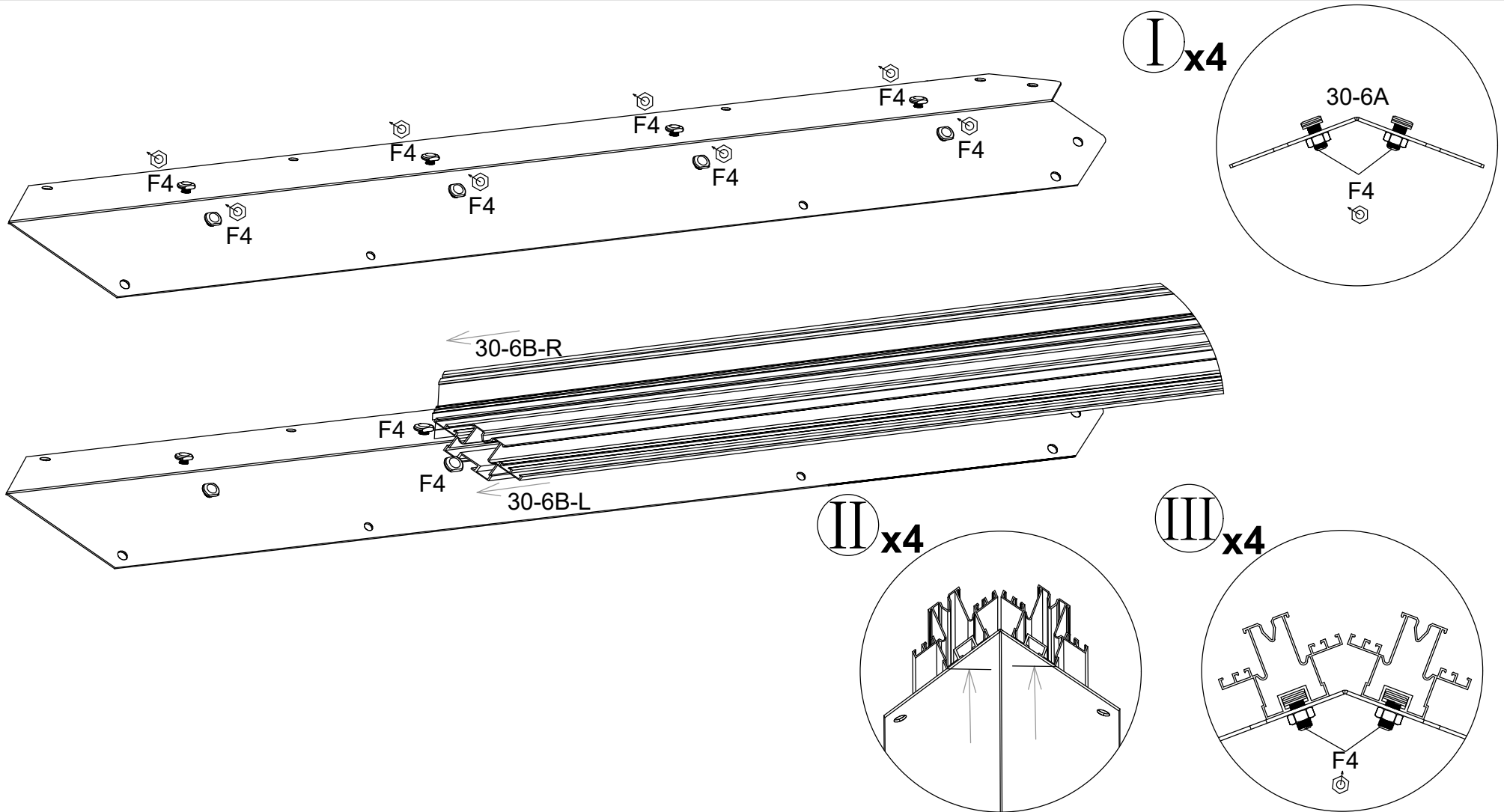
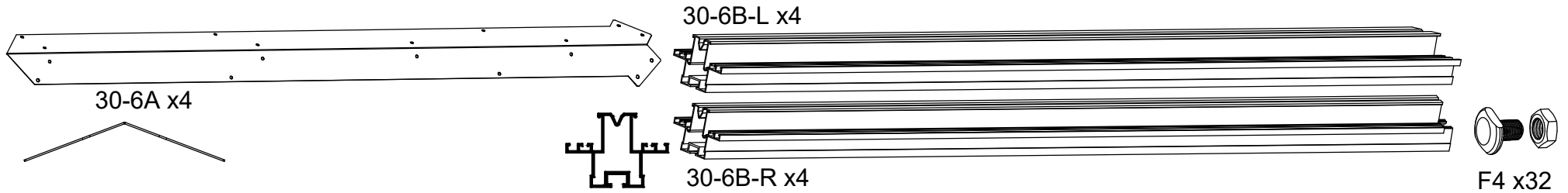
This step requires the removal of A10 first.



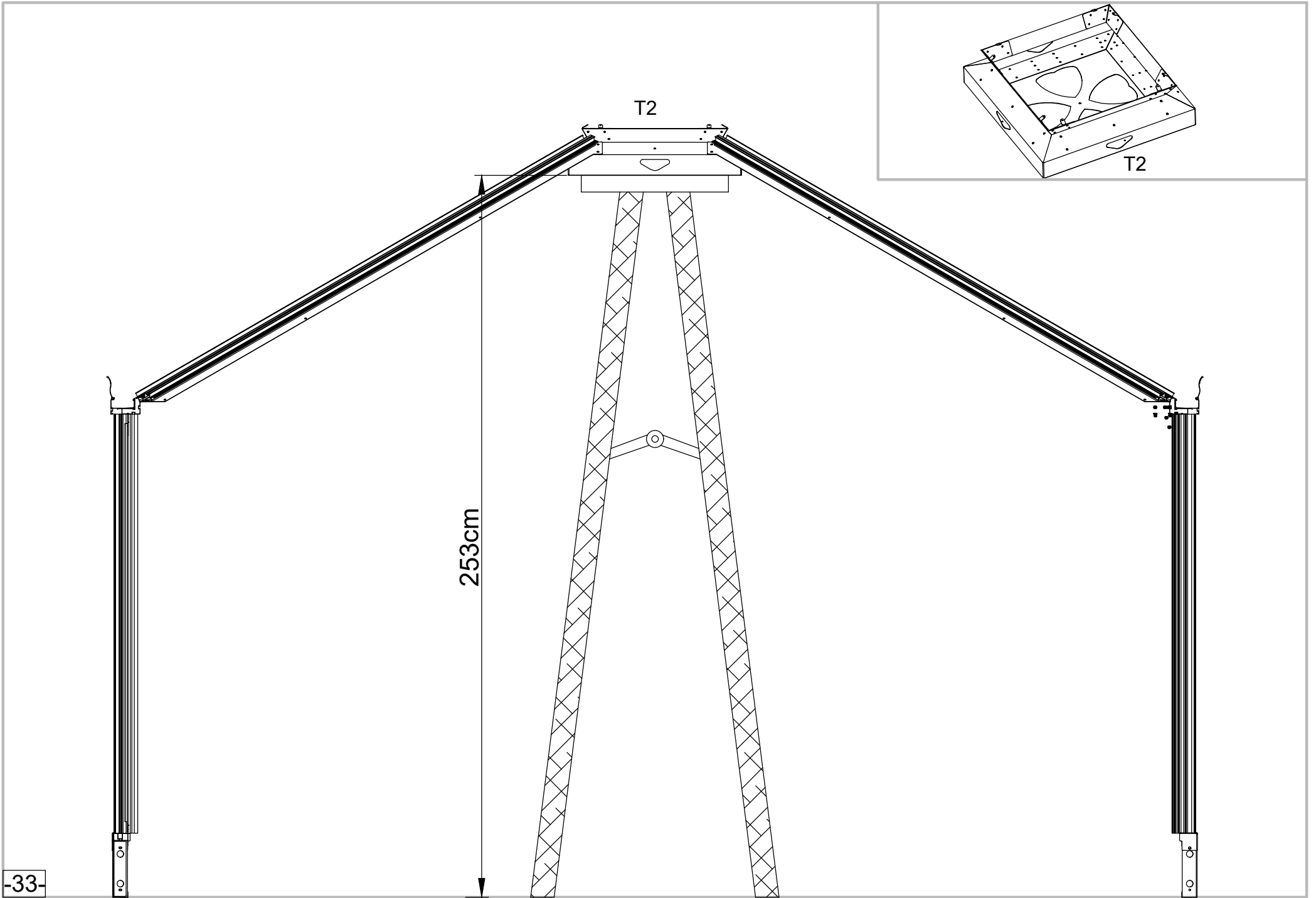
# Top

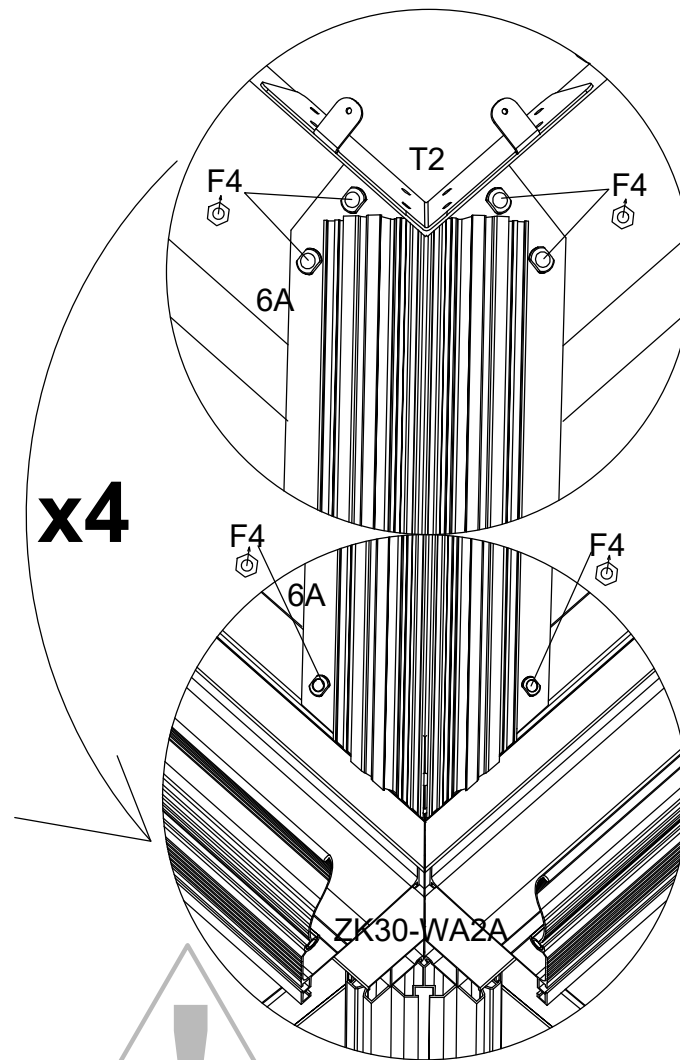
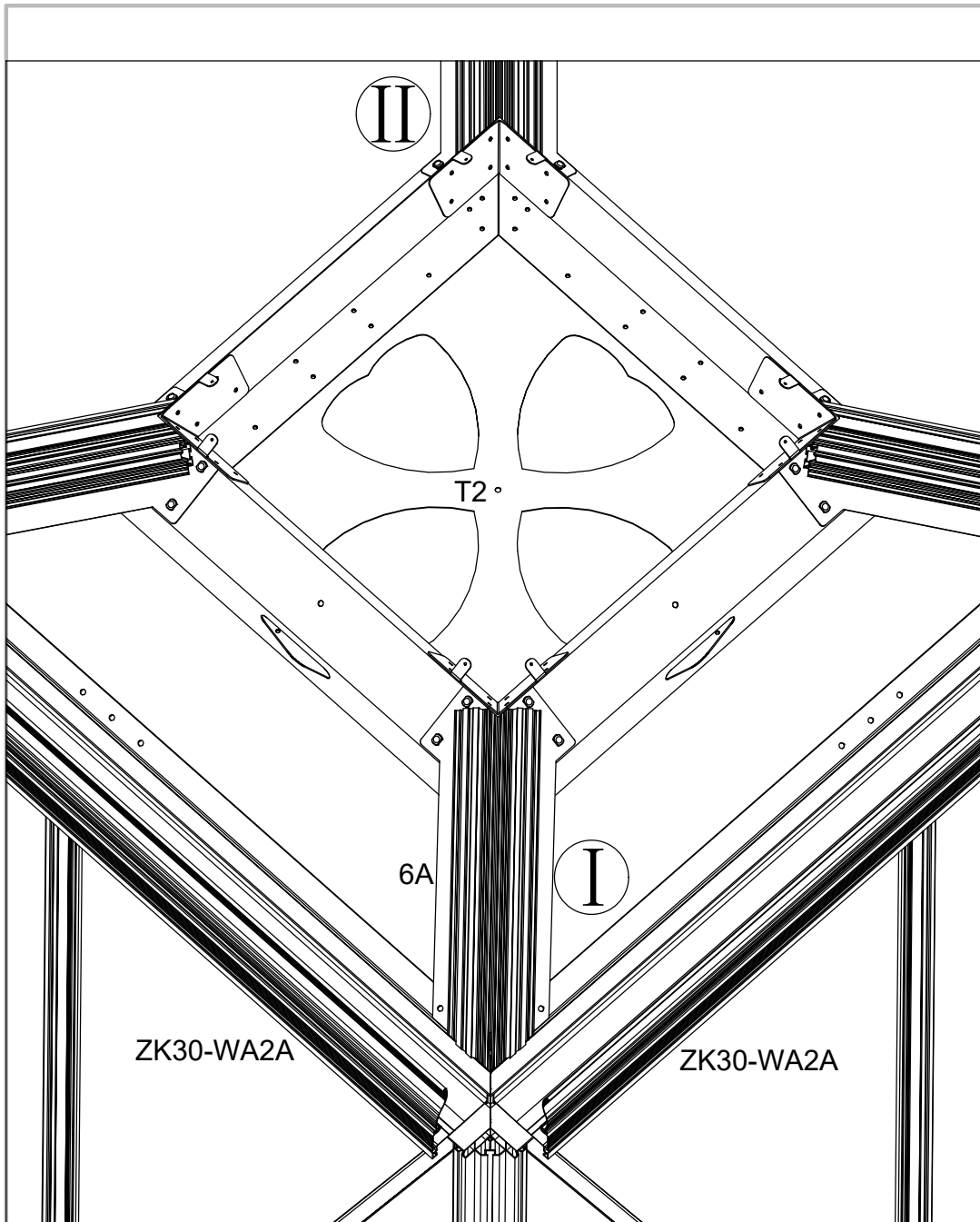








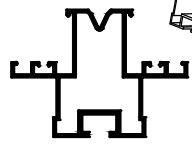




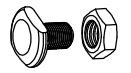
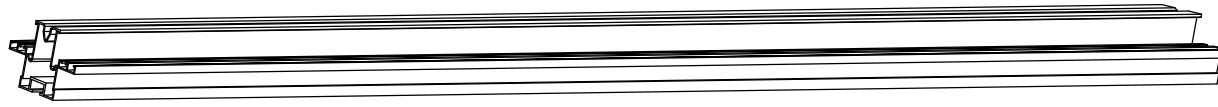
F4 x24



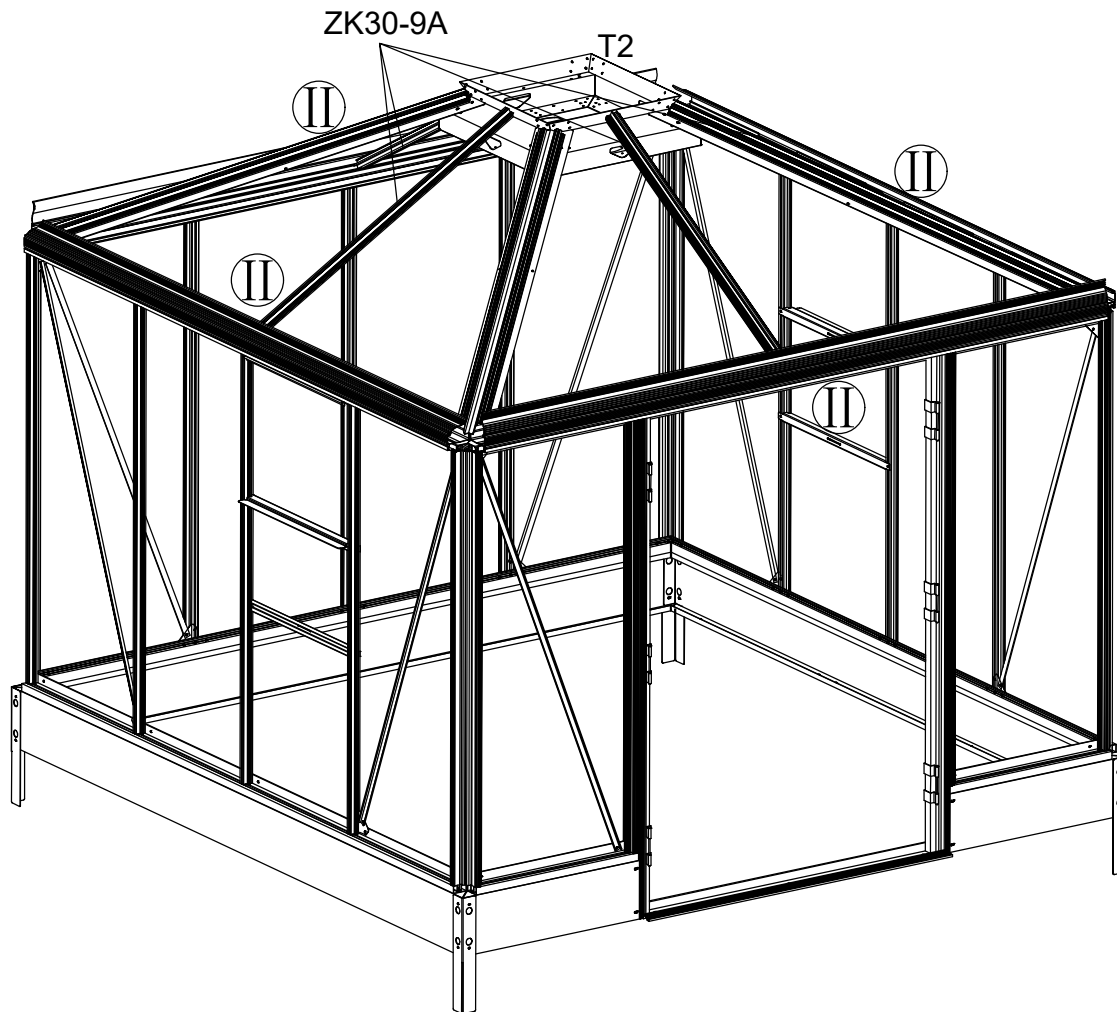
NO. F4 drill bit with diameter of 7mm can be used to open holes in the skeleton when installation difficulties are encountered in this step. But make sure NO.6 fits the skeleton.



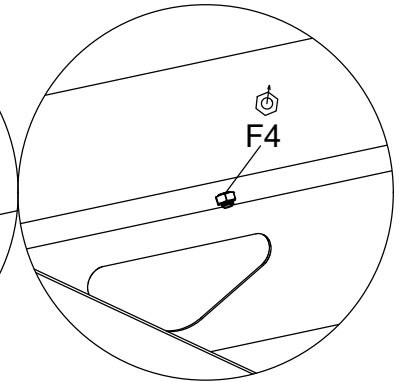
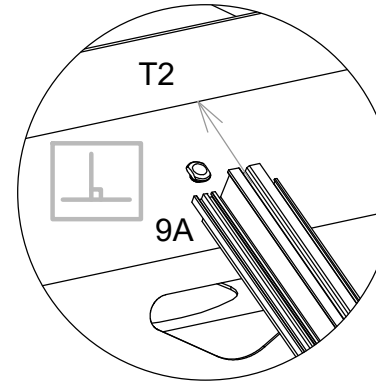
ZK30-9A x4



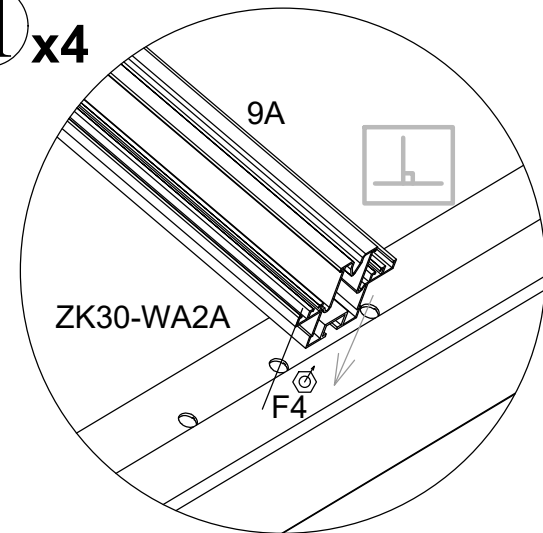
F4 x4

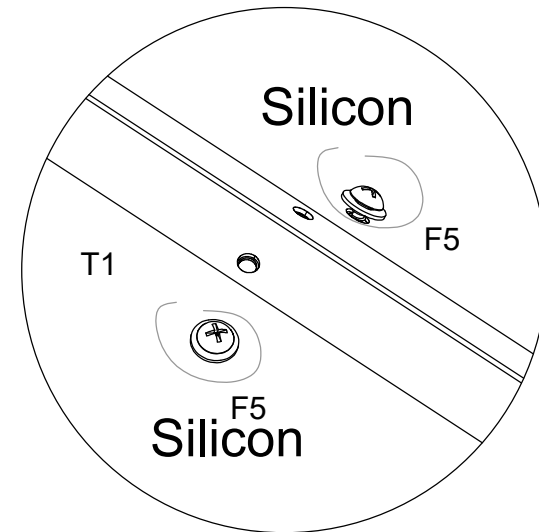
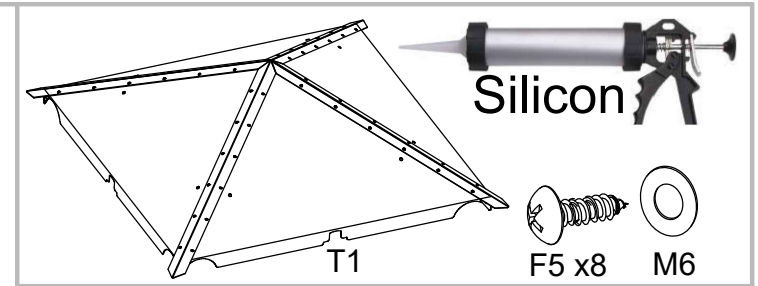
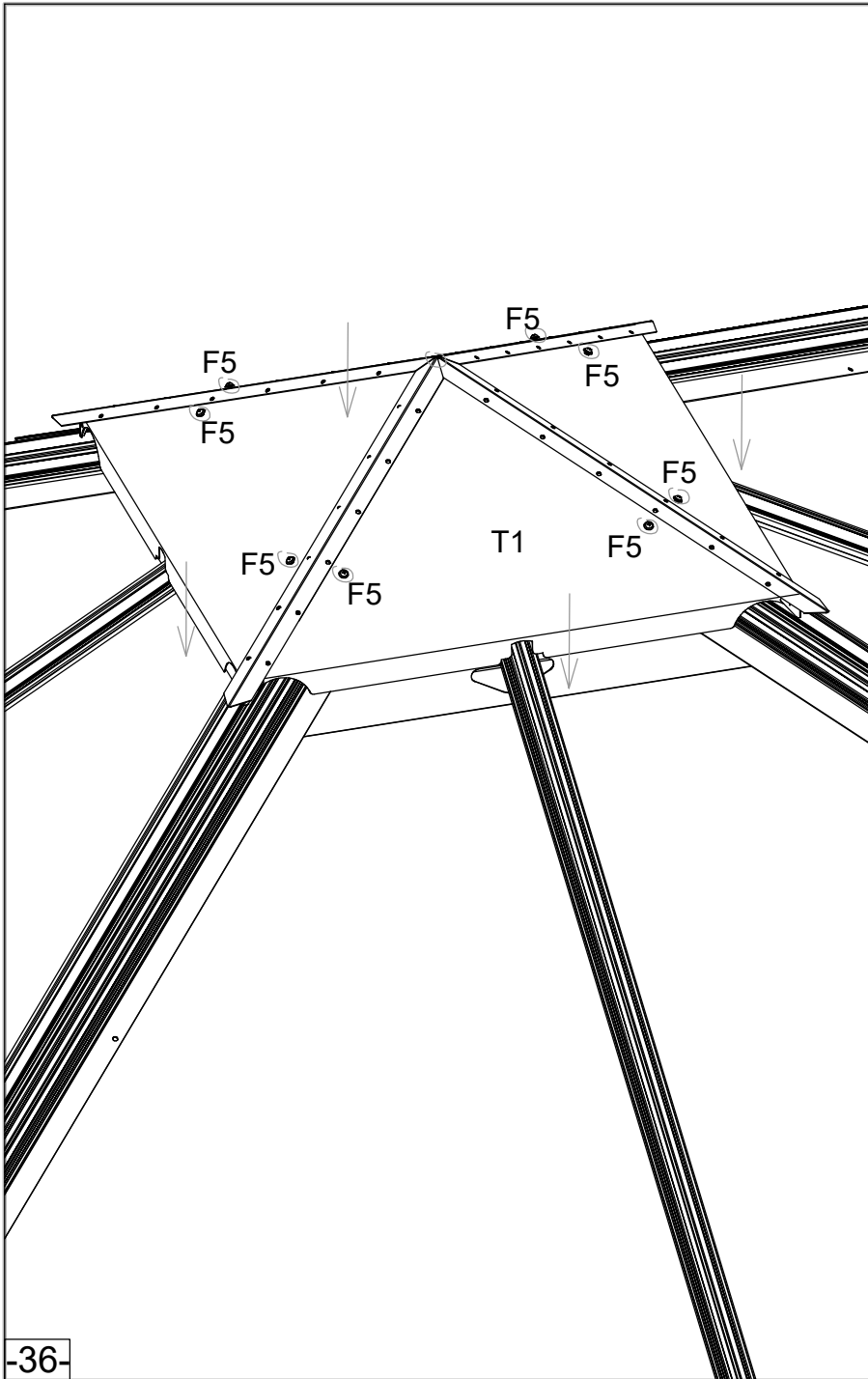


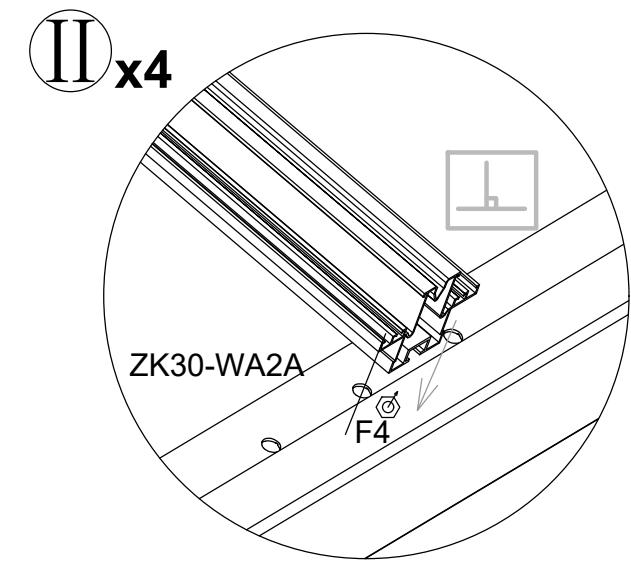
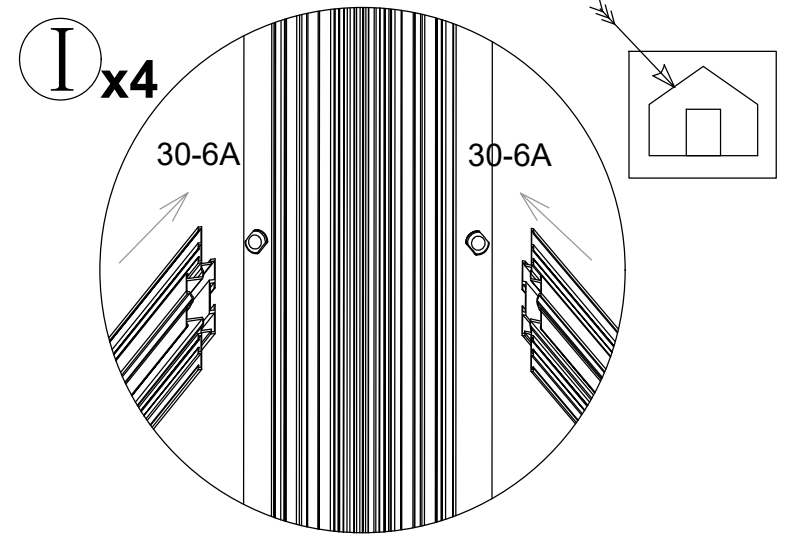
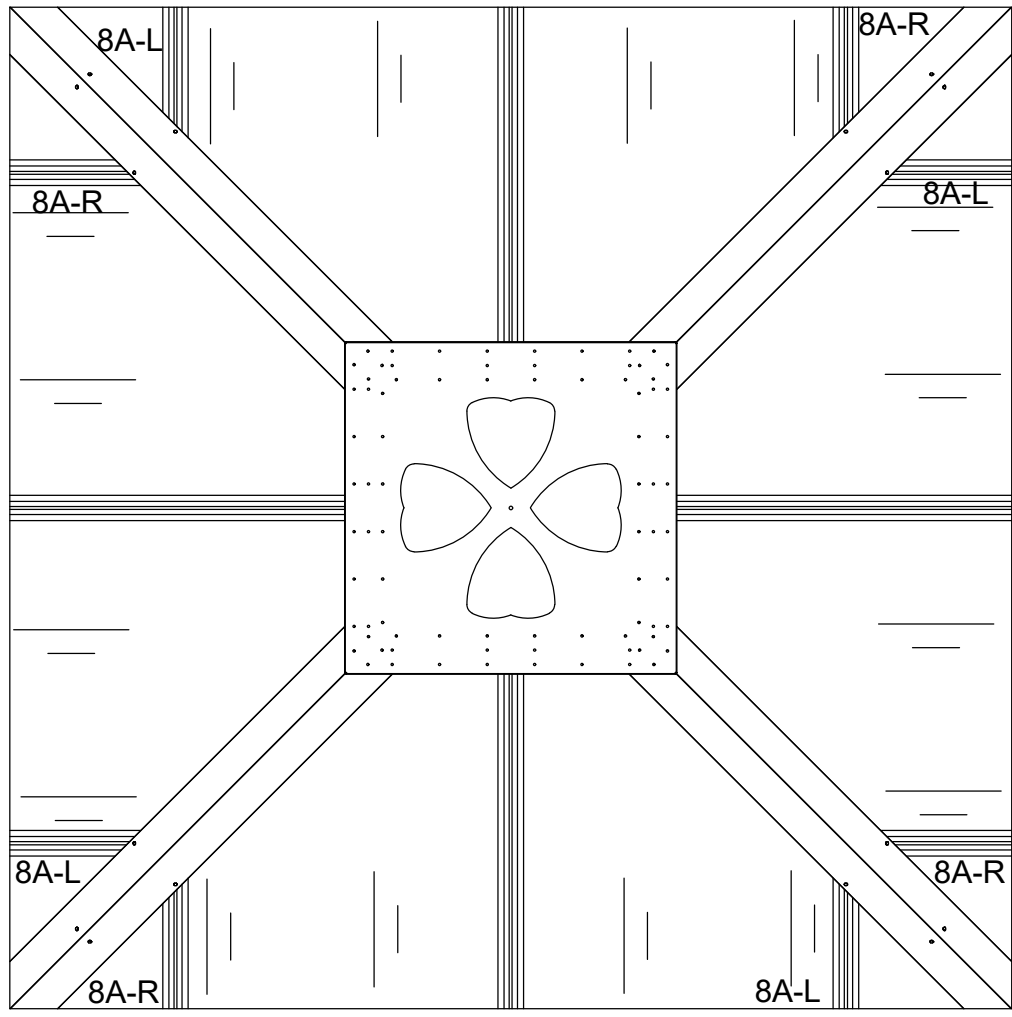
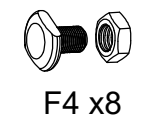
I x4



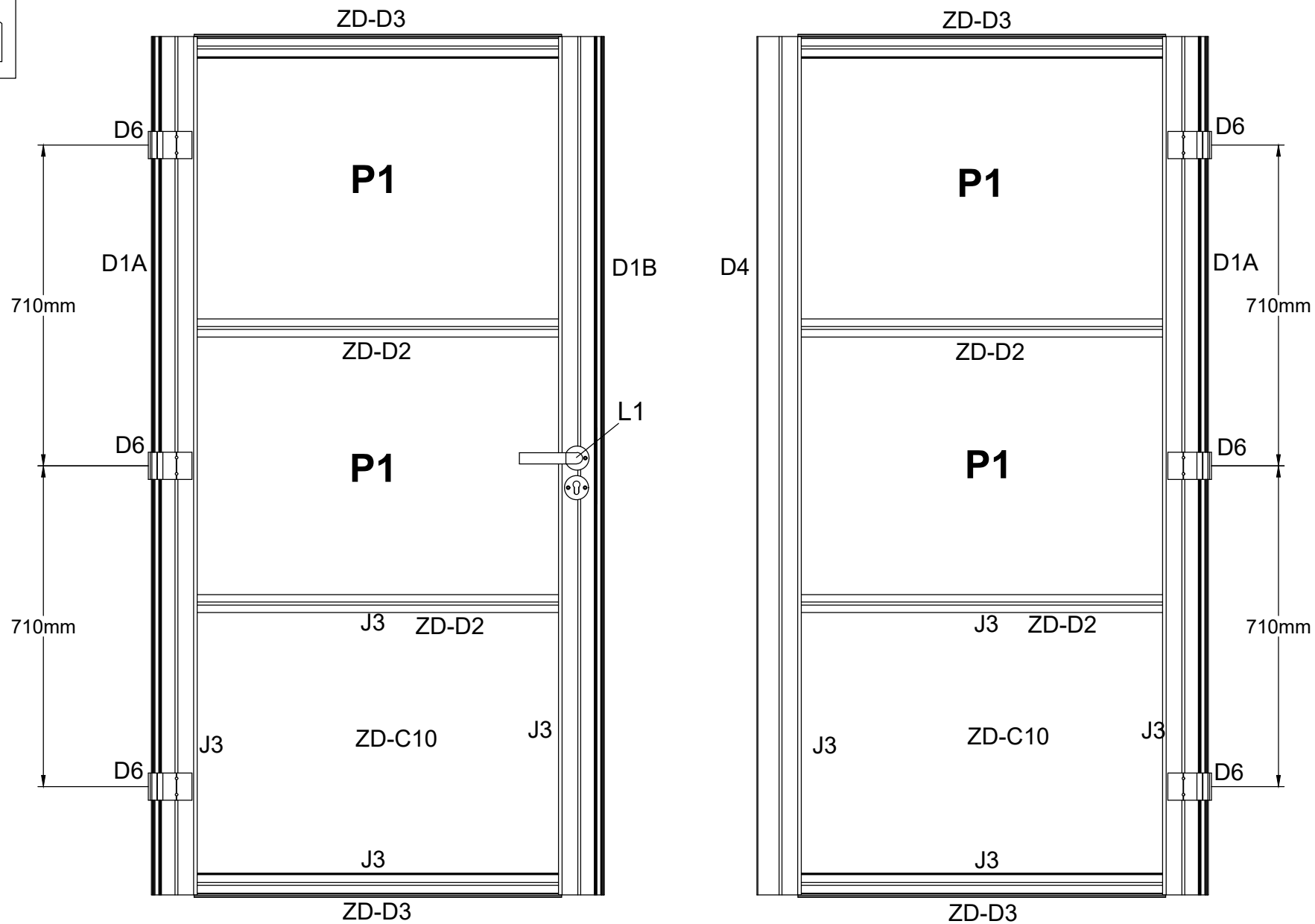
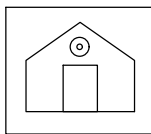
II x4

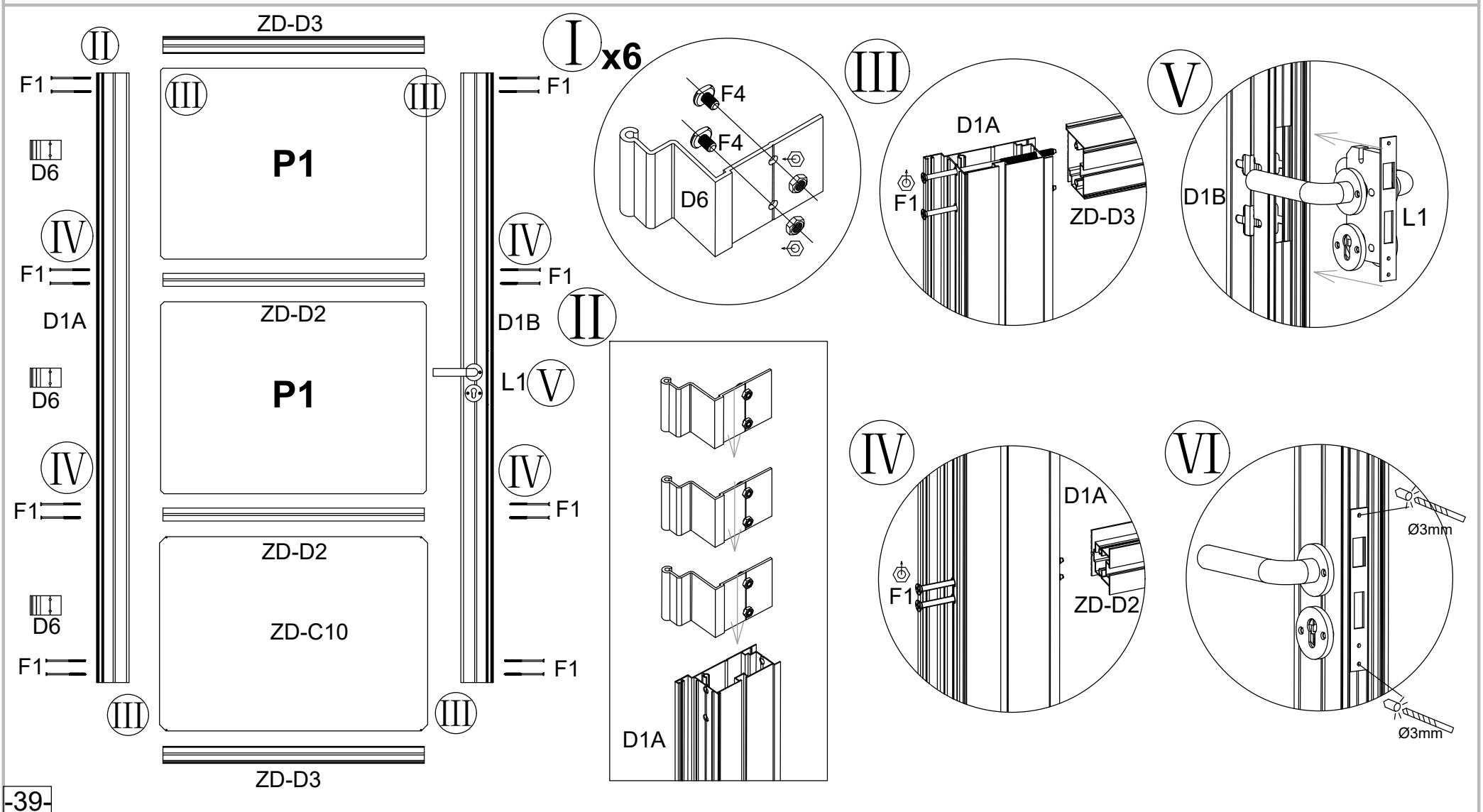
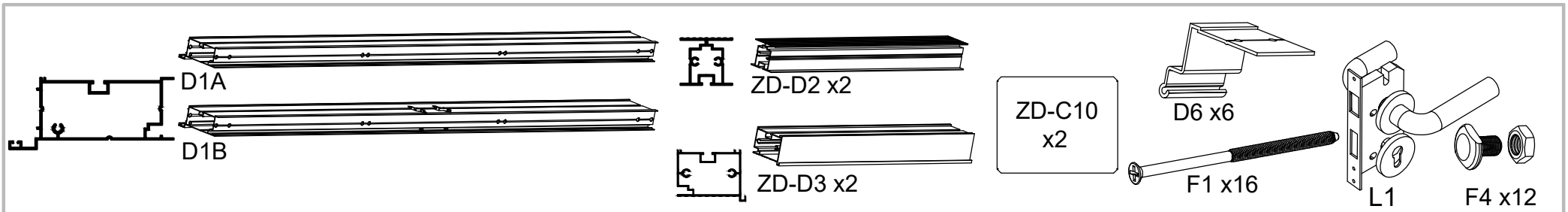


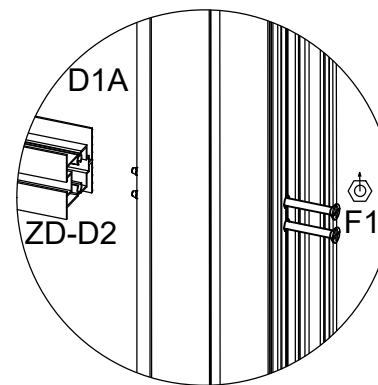
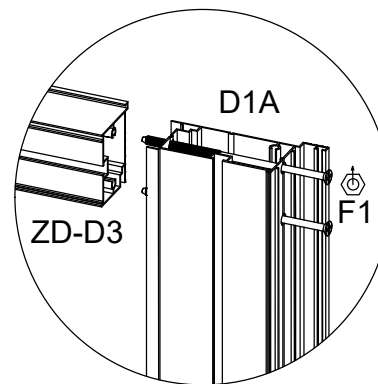
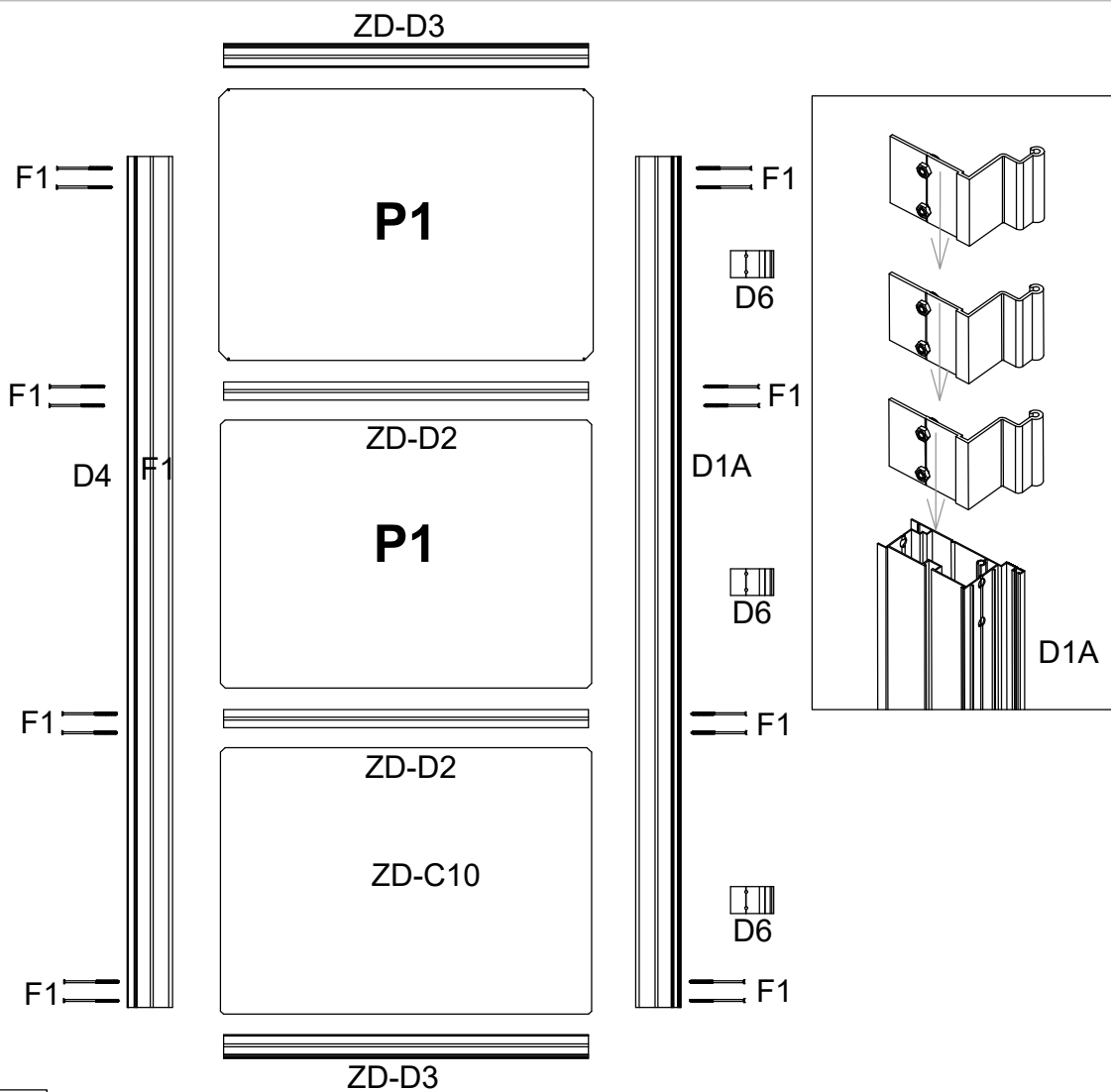
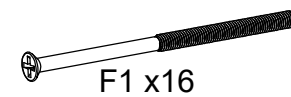
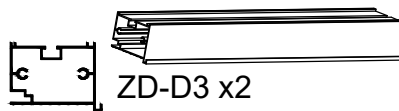
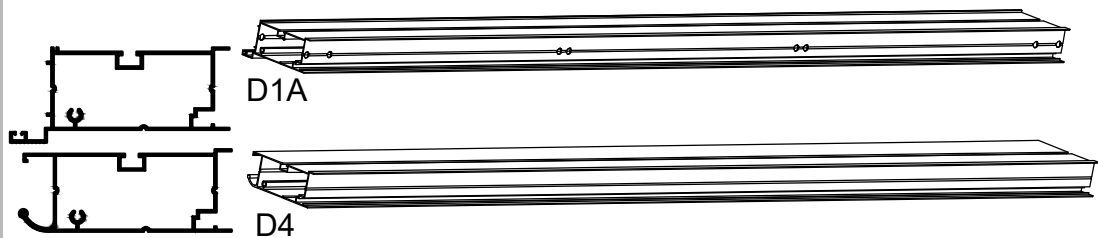




# Door



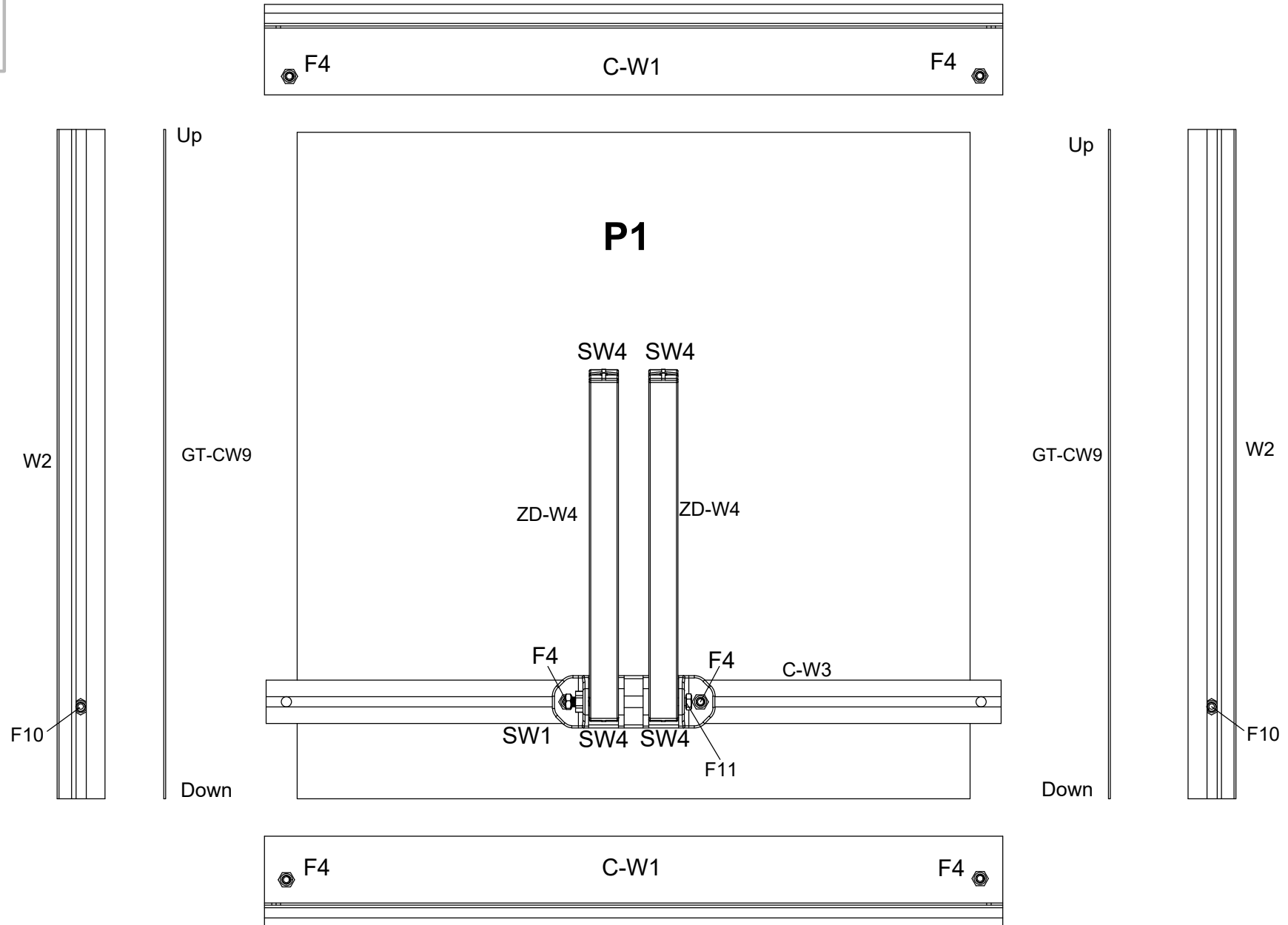


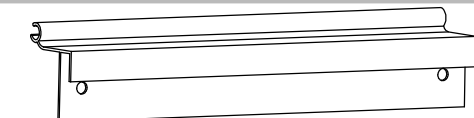




# Window

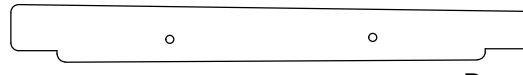
x2





C-W1 x4

Up



GT-CW9 x4

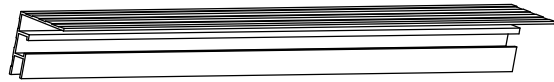
Down



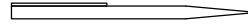
F10 x4



F4 x16

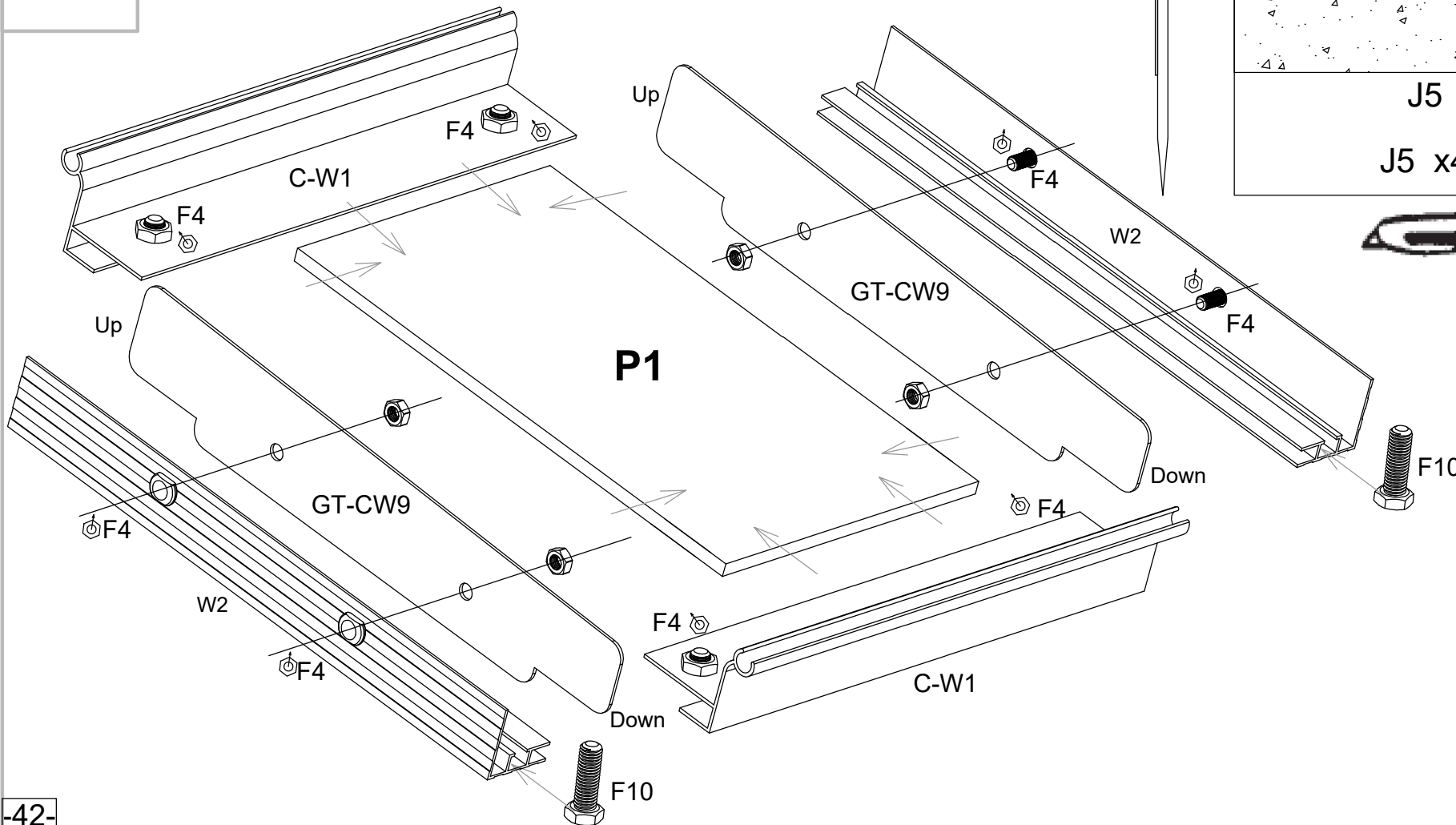
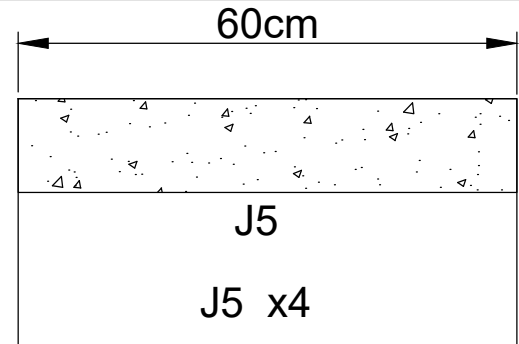


W2 x4



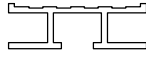
J5

x2

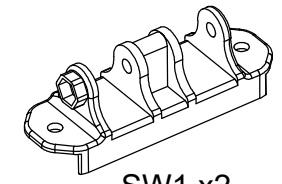




C-W3 x2



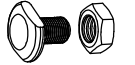
Silicon



SW1 x2

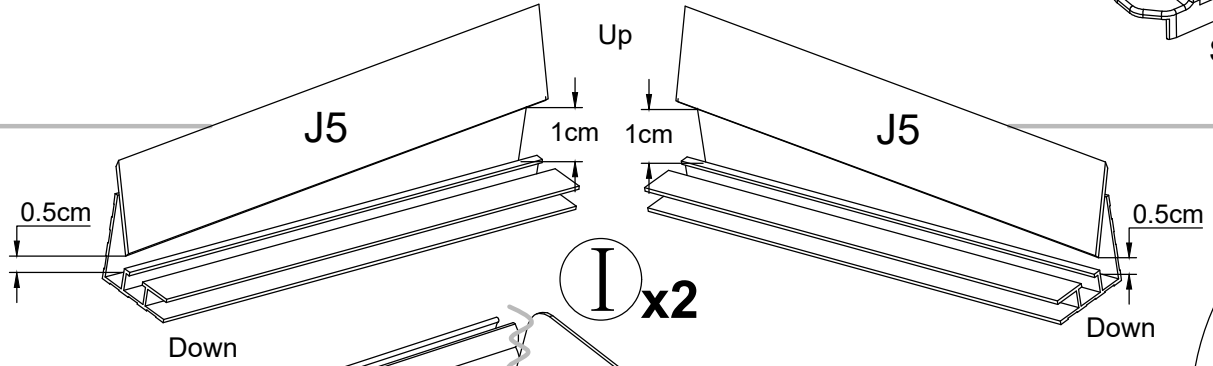


M6 x4

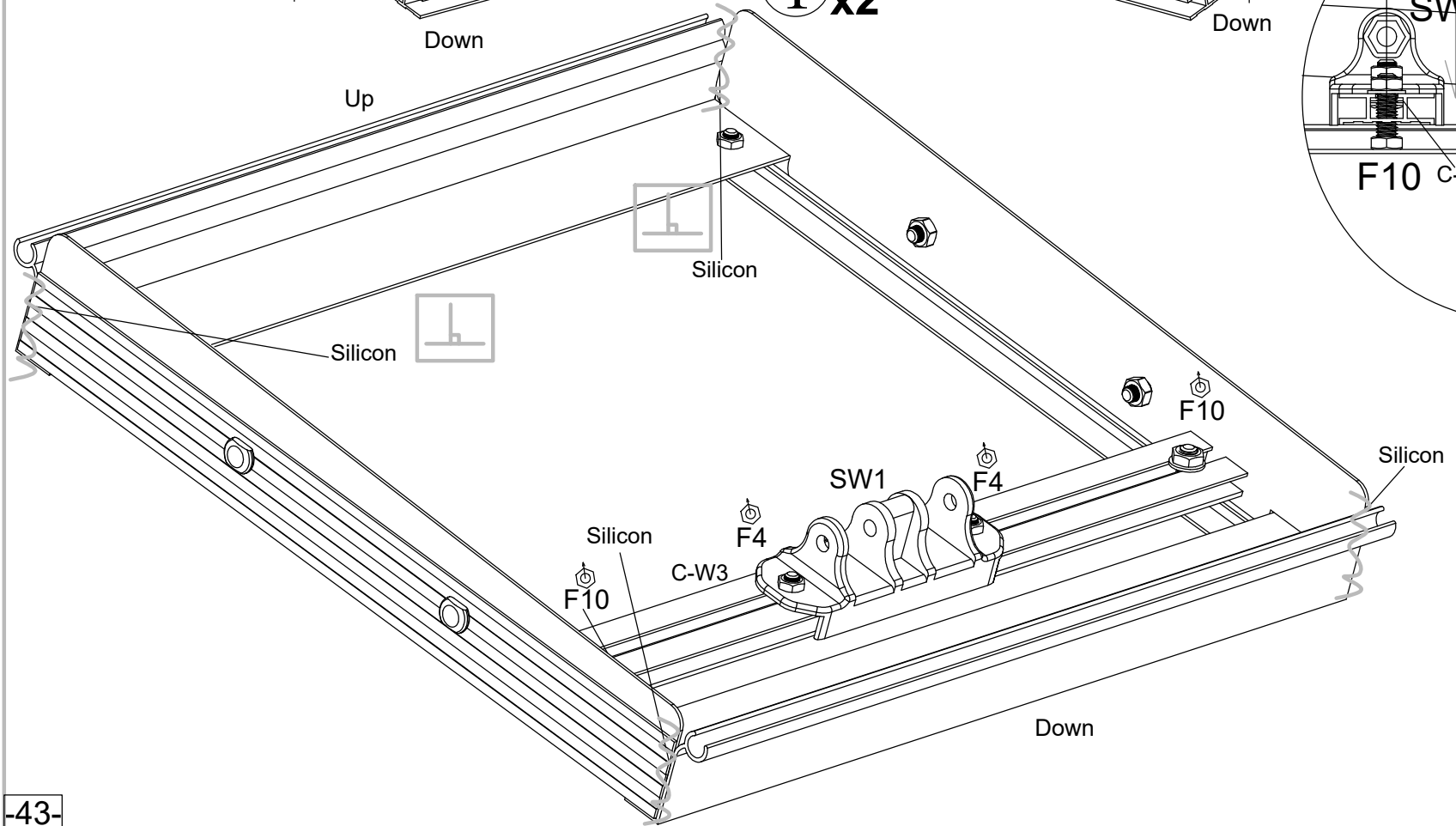
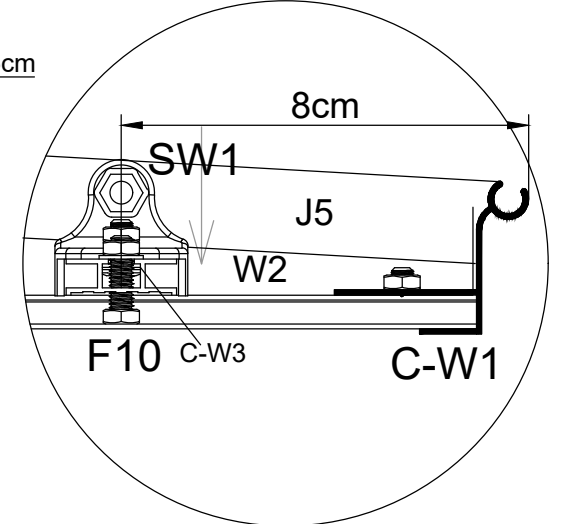


F4 x4

x2

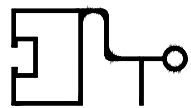


I x2

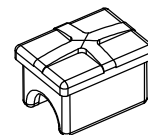
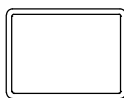




C-W x2



ZD-W4 x4



SW4 x8

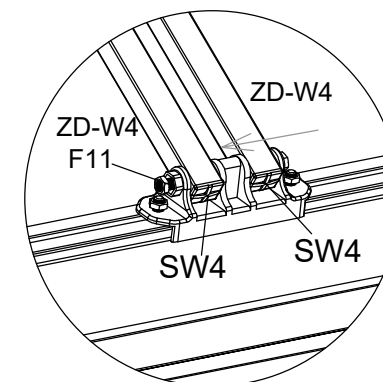
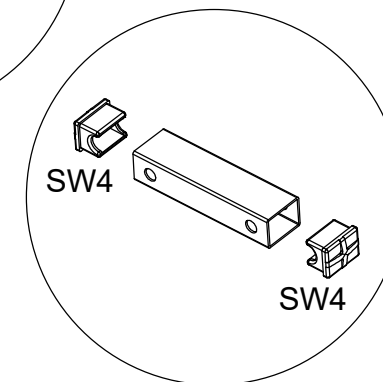
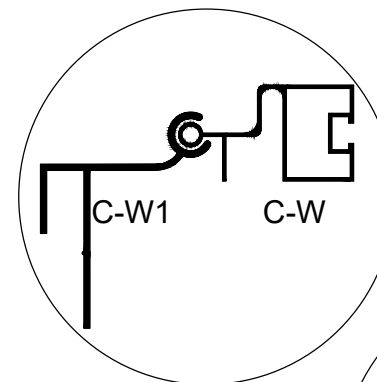
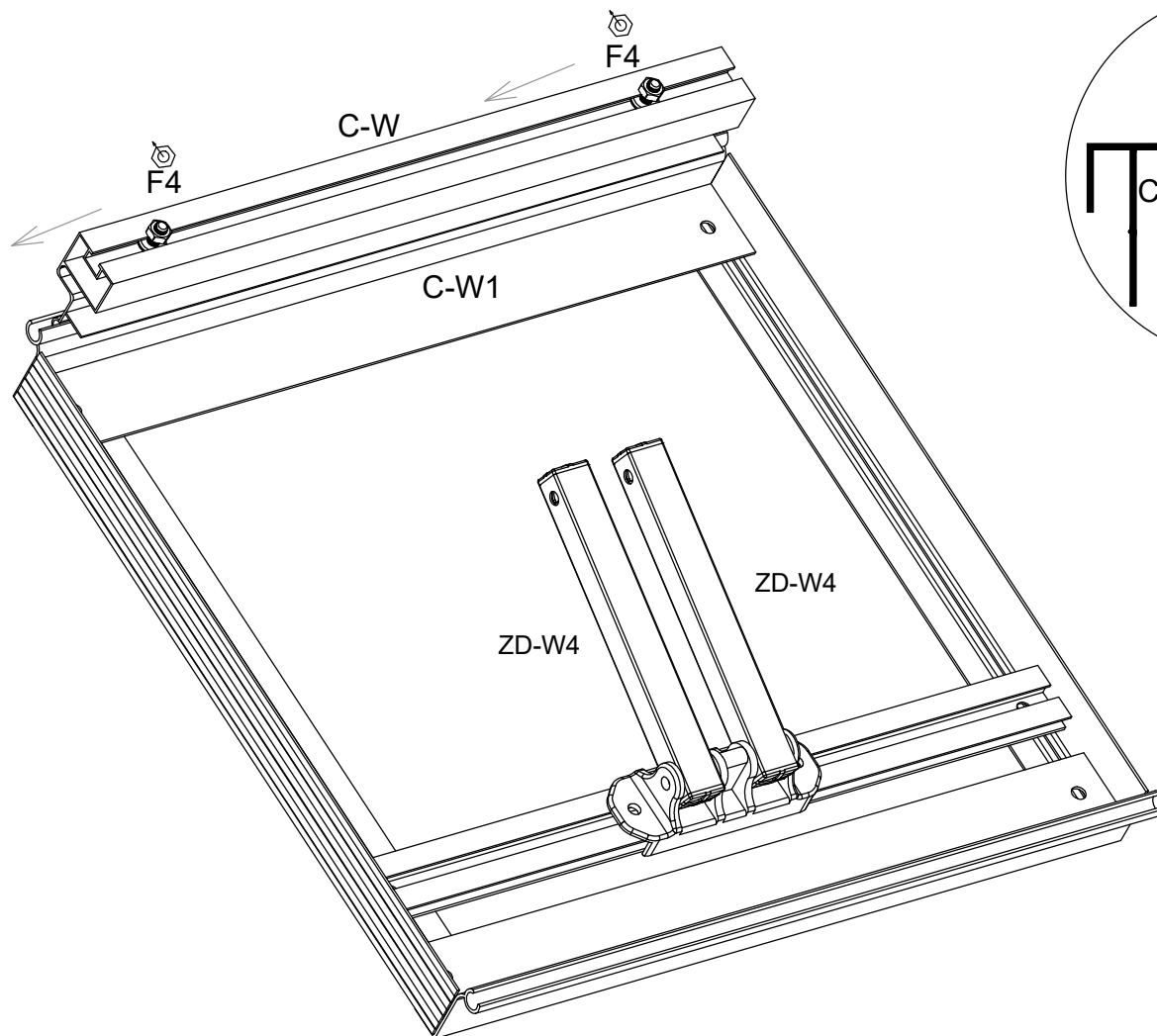


F11 x2

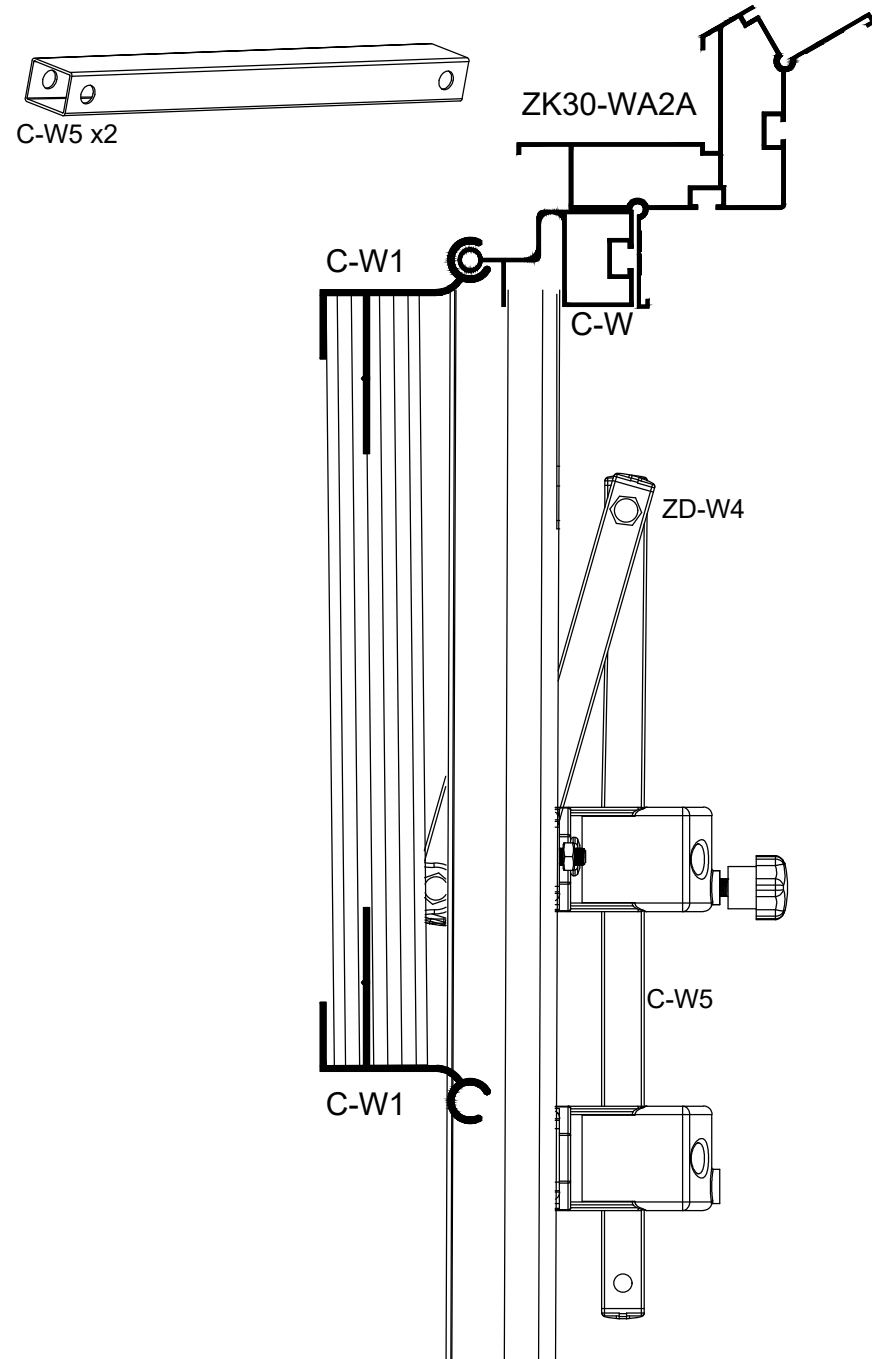
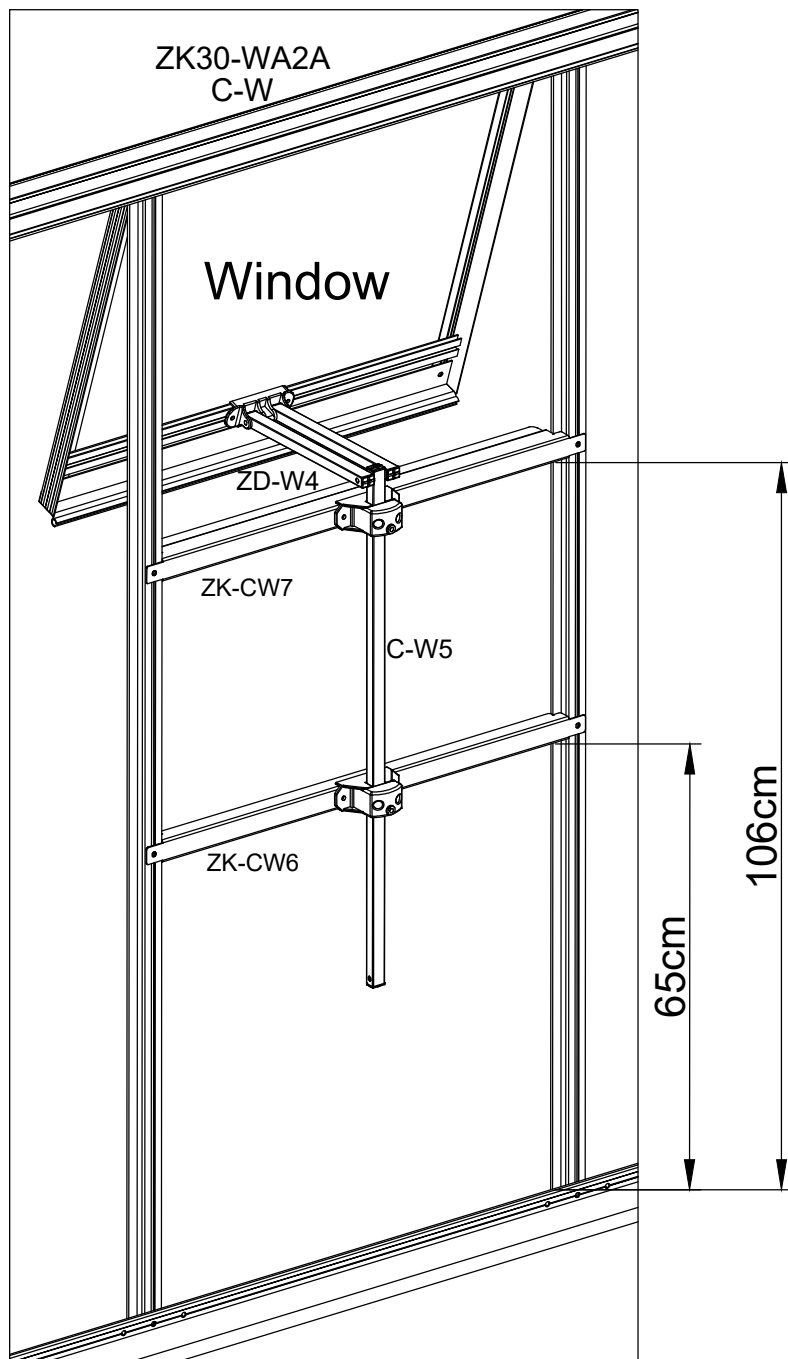


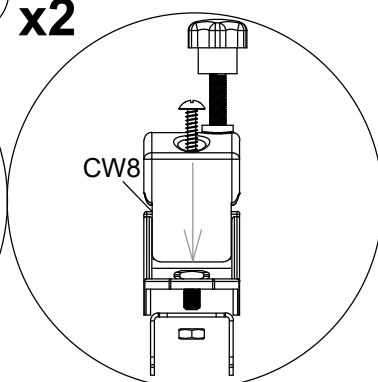
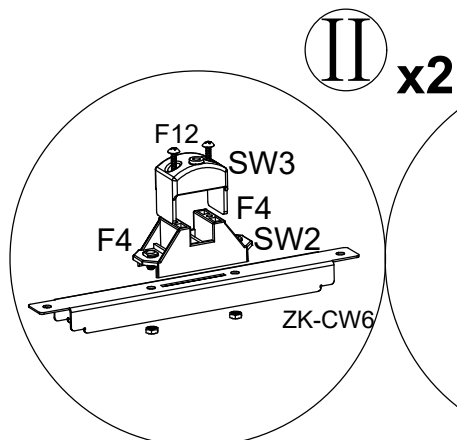
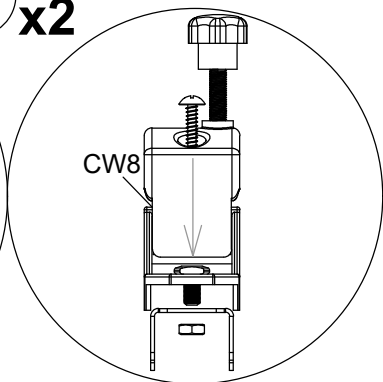
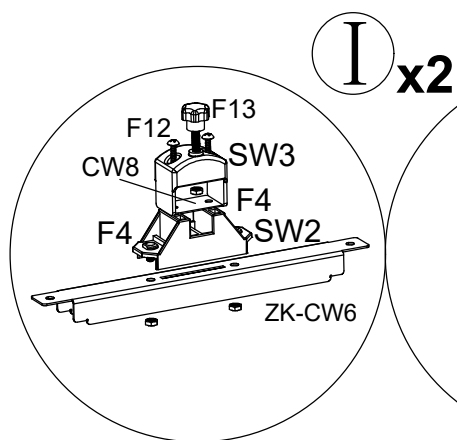
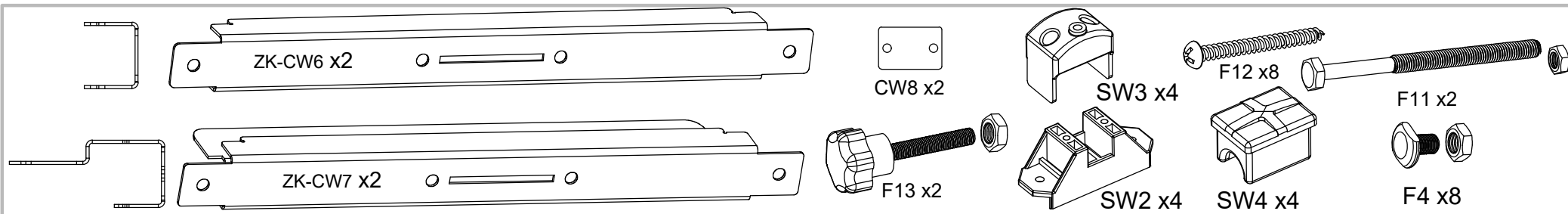
F4 x4

x2

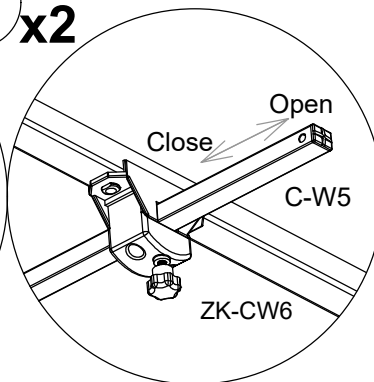
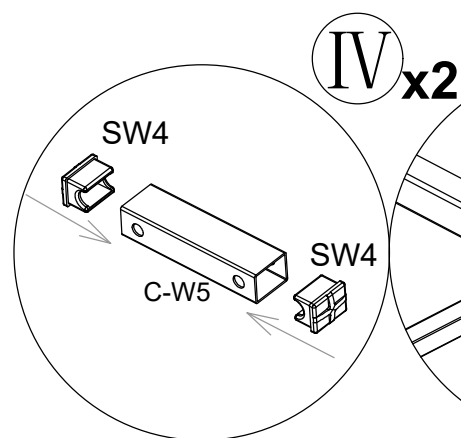
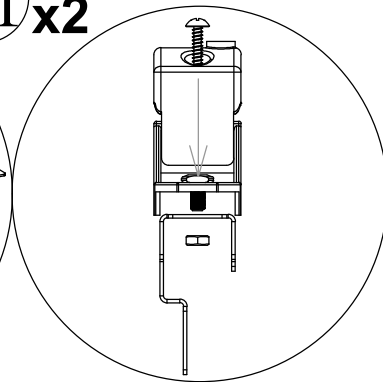
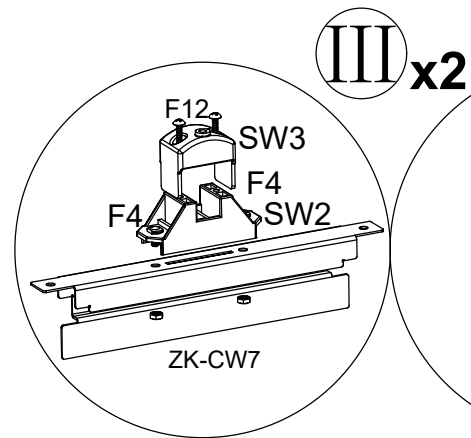
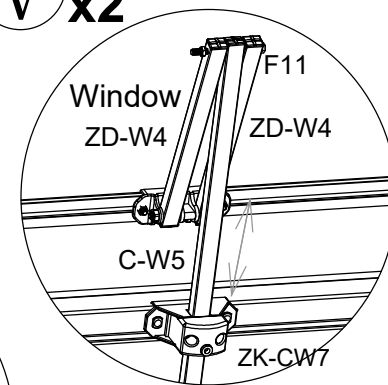


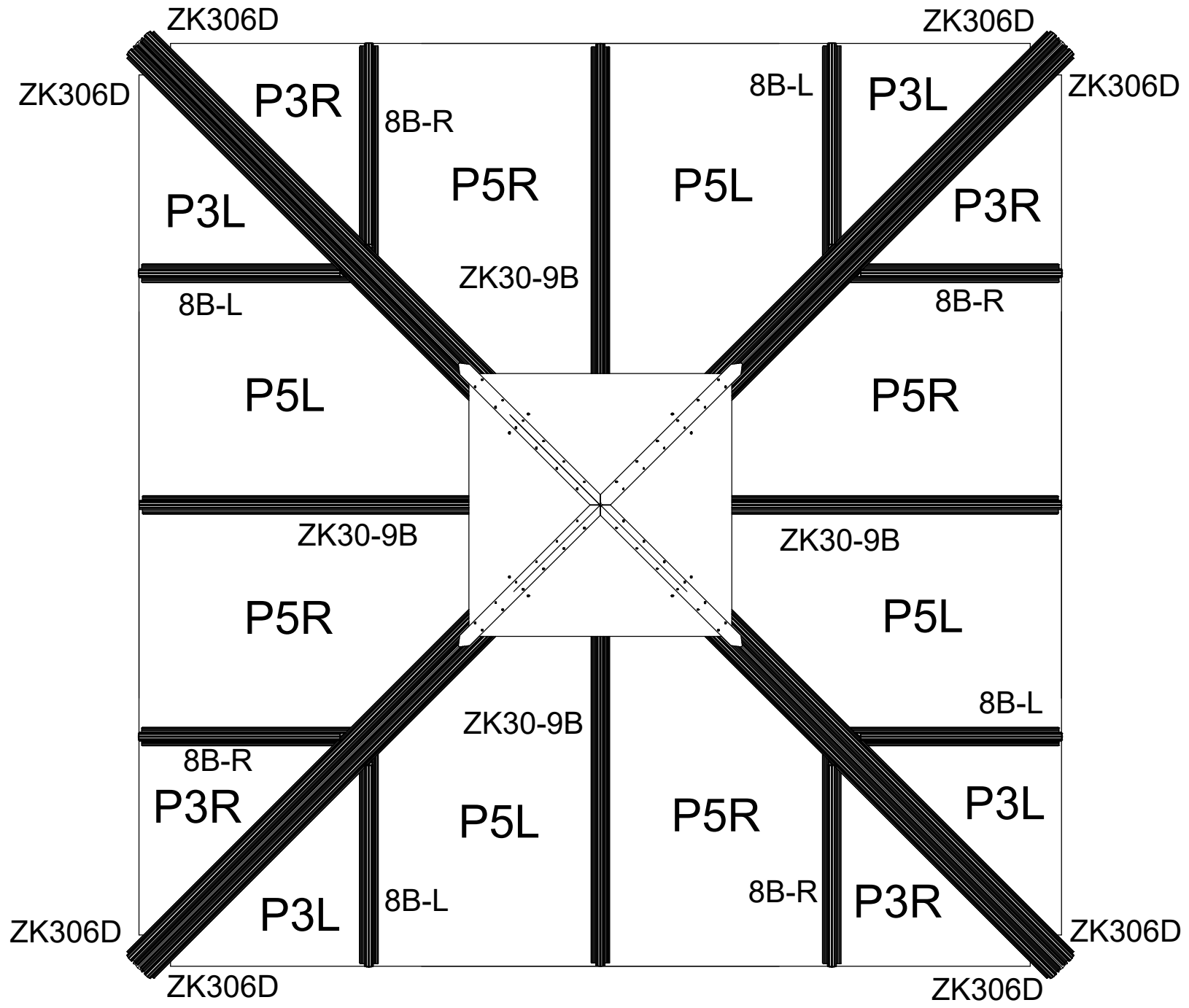
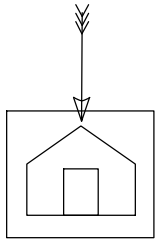
x2

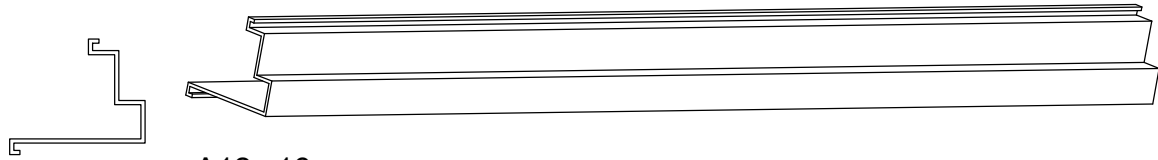




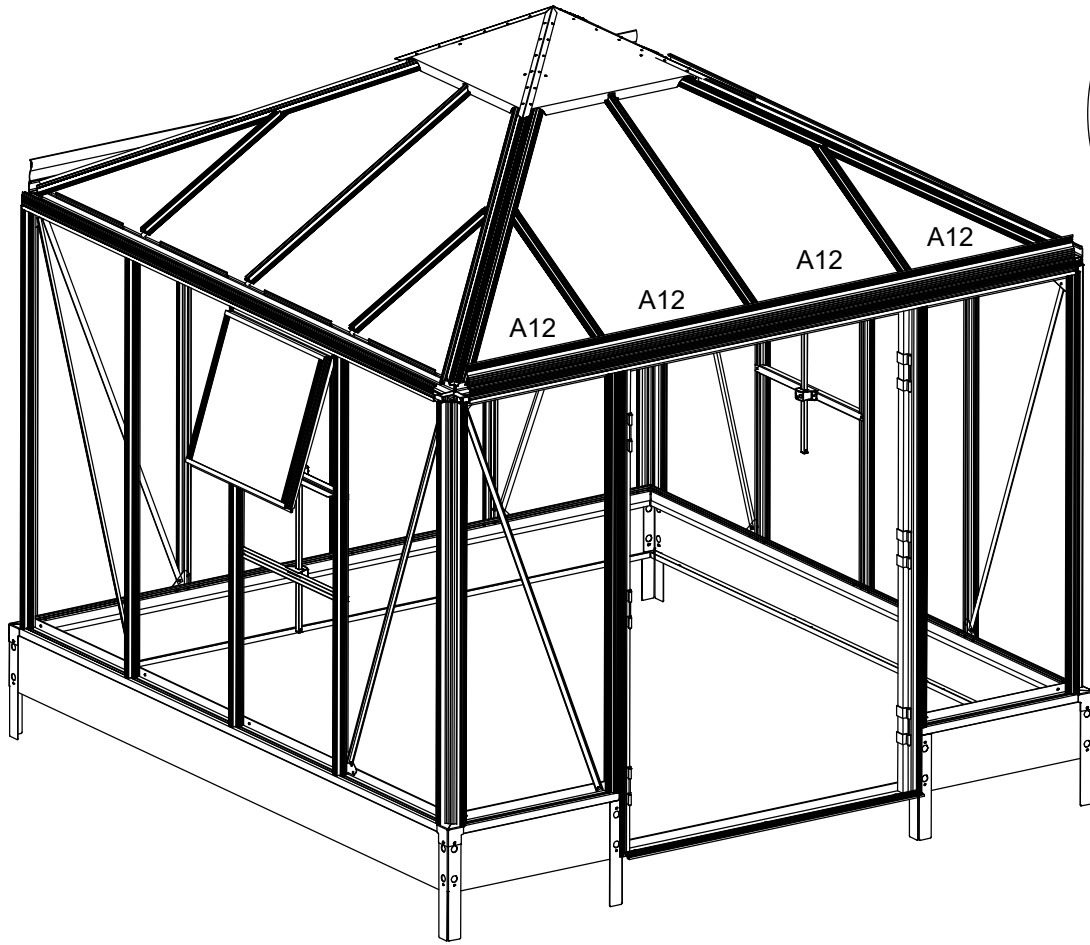
**V x2**



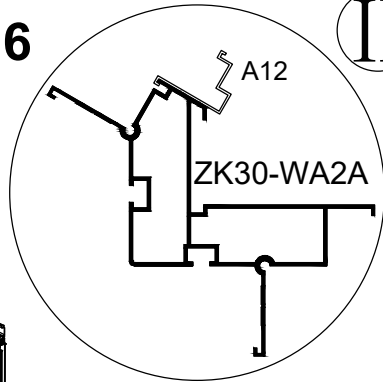




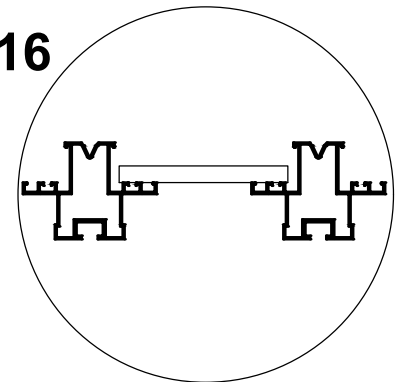
A12 x16



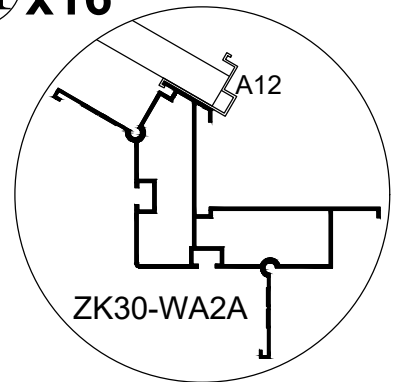
I x16



II x16



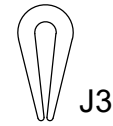
III x16



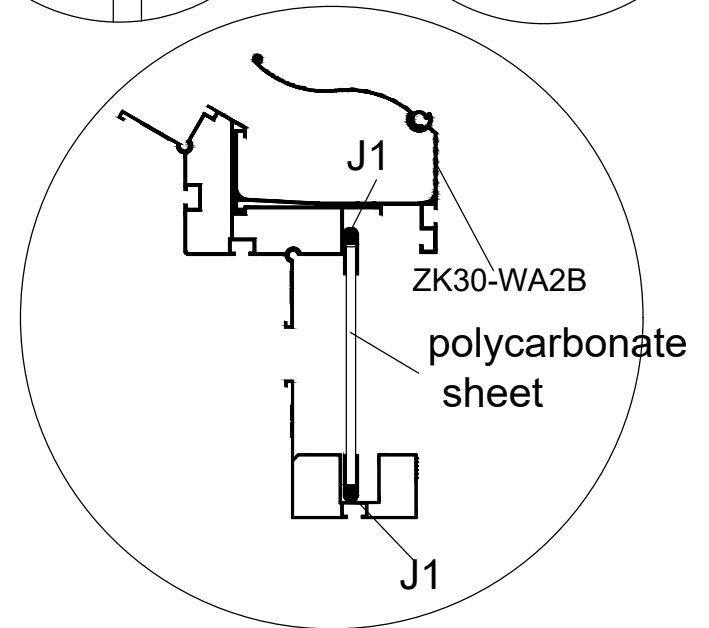
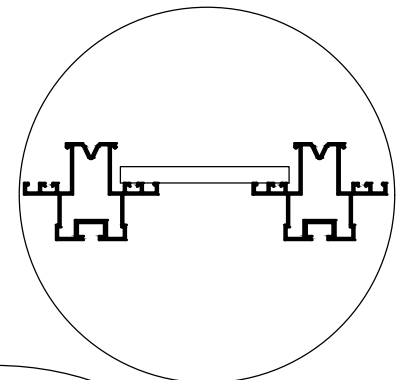
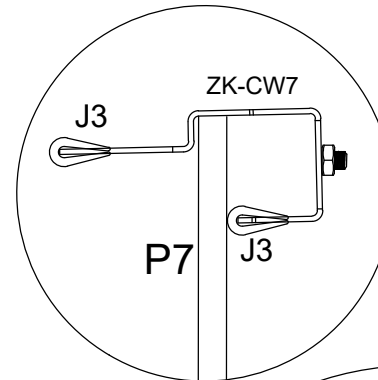
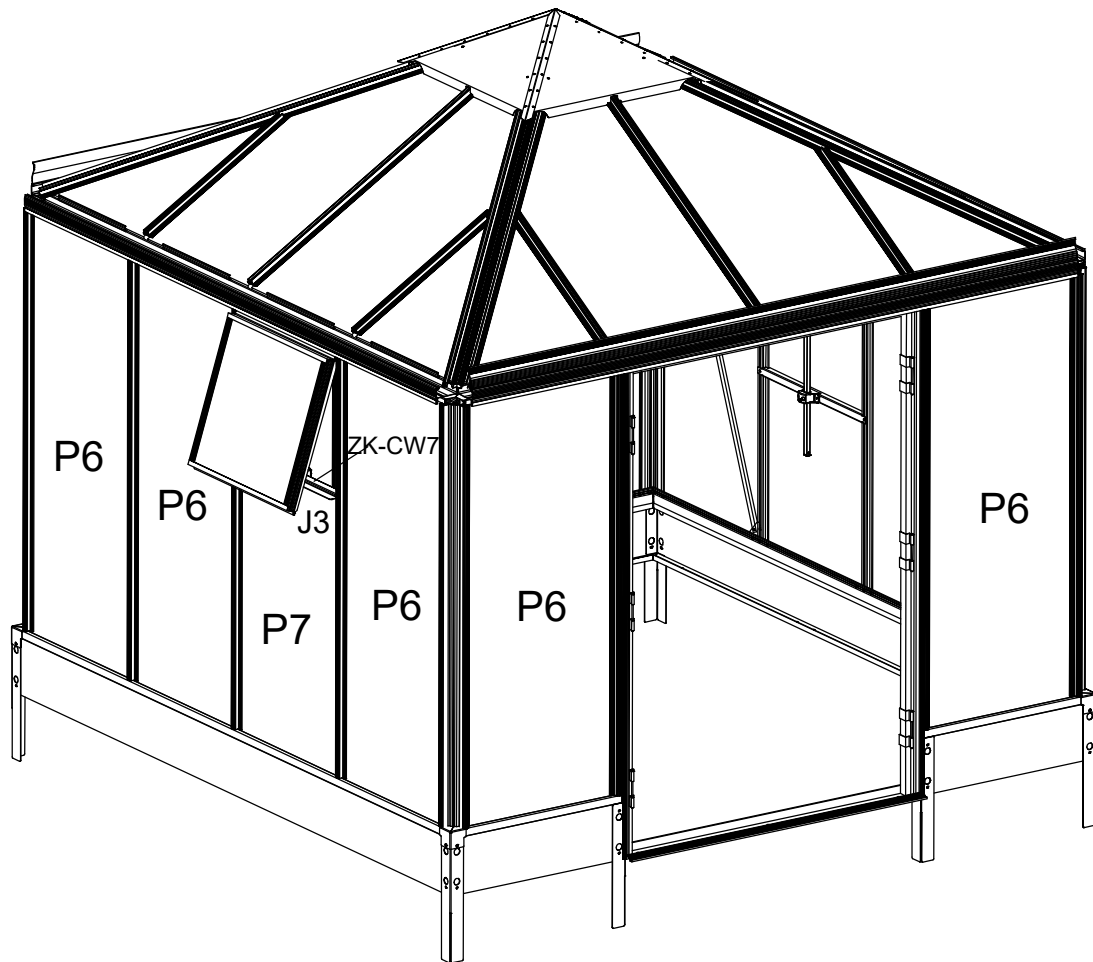


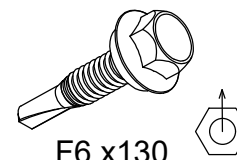
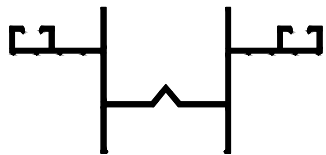


J1 x28

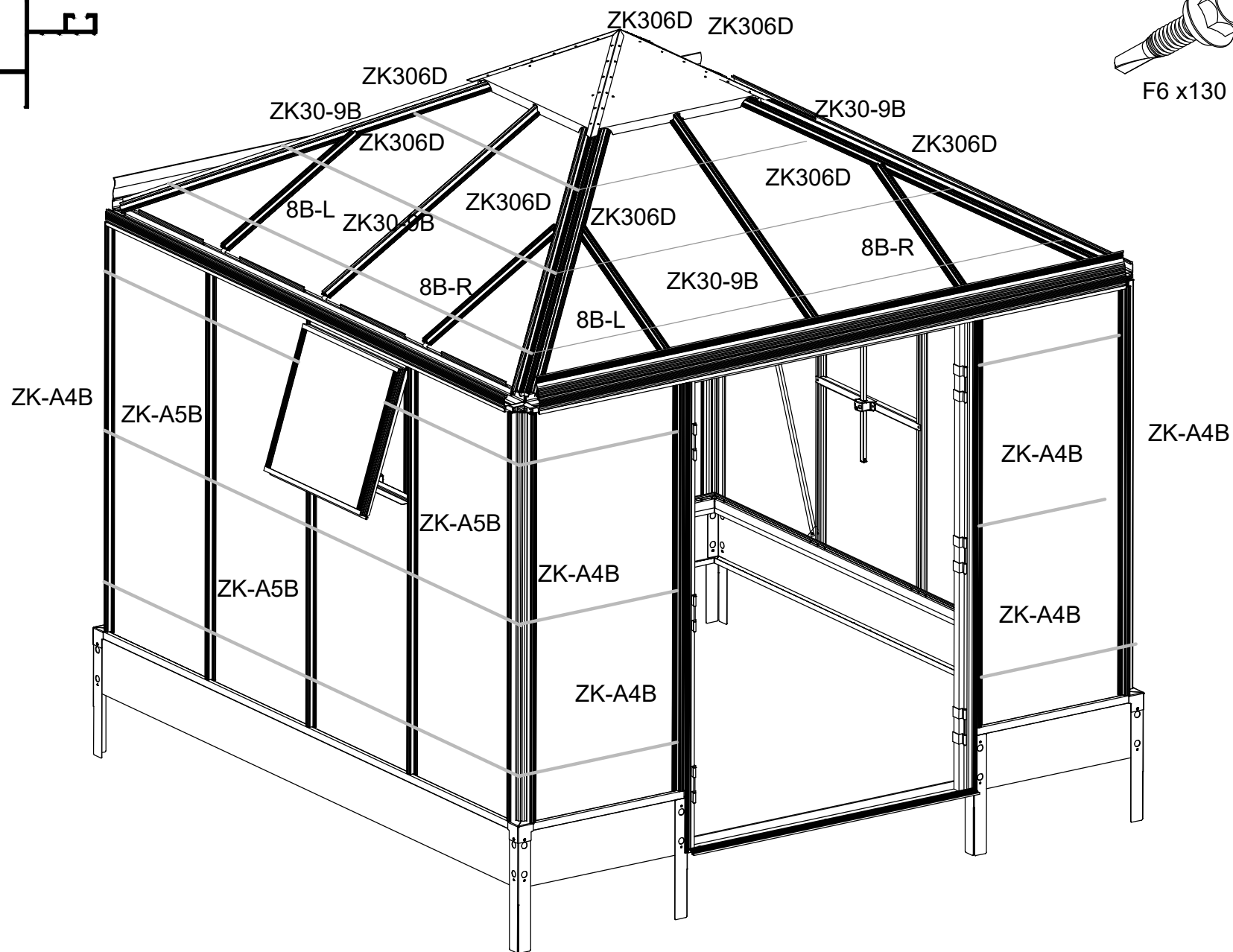


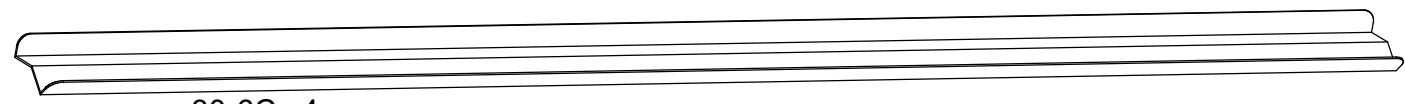
J3



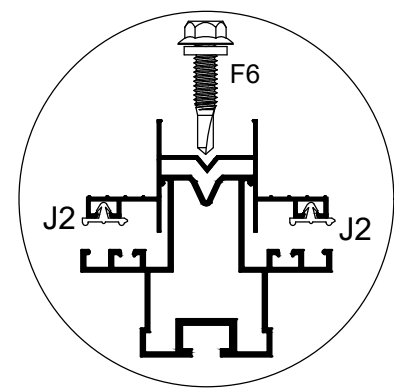
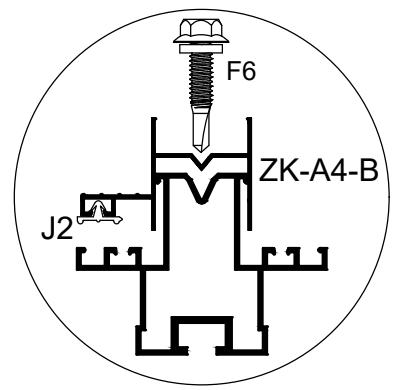
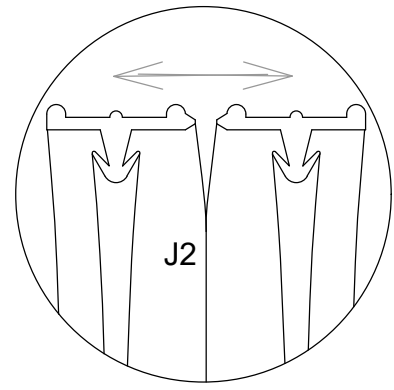
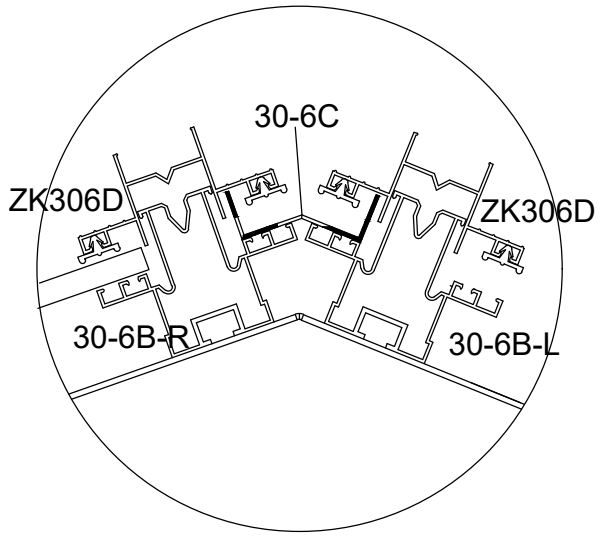
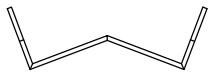


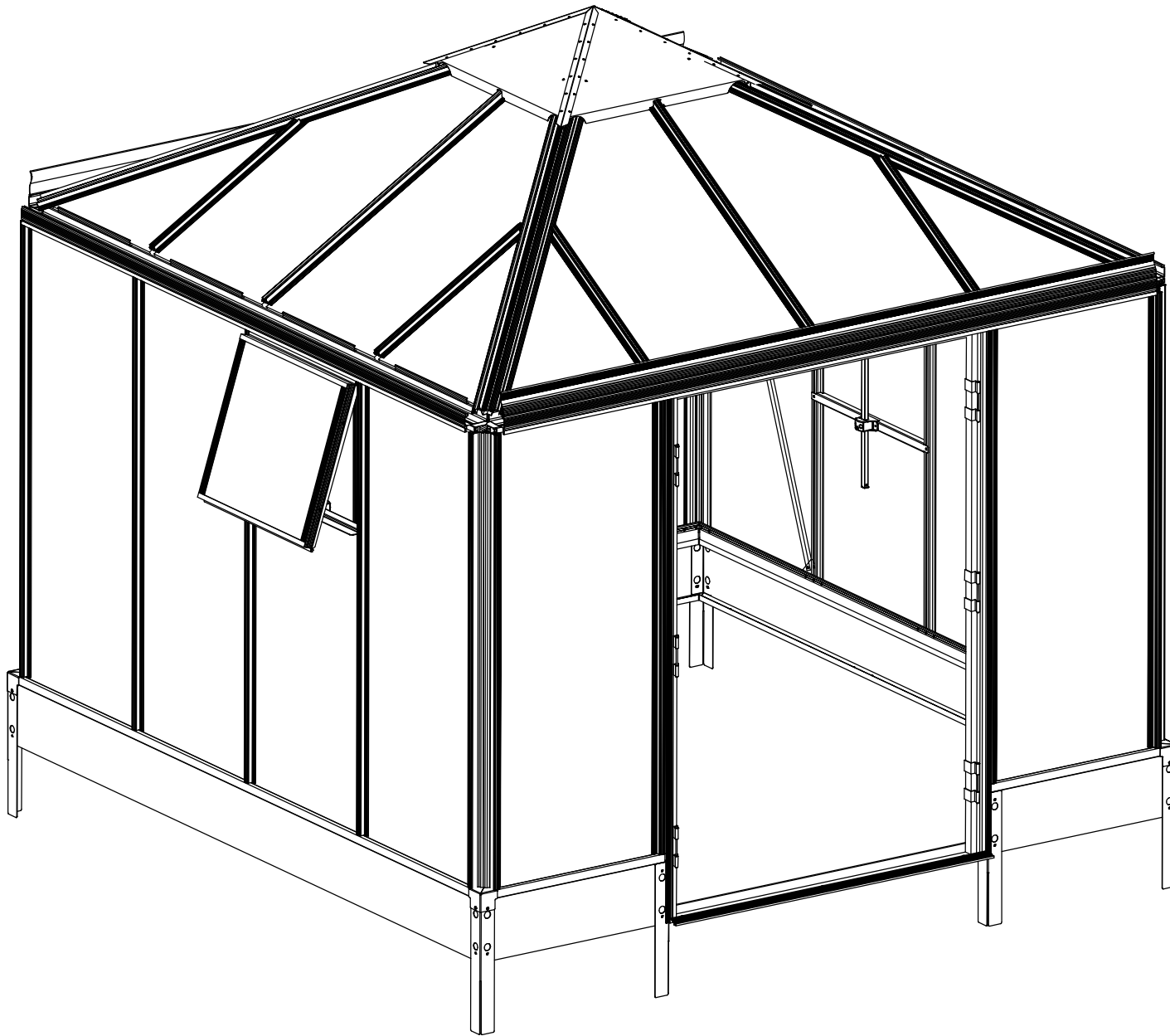
F6 x130



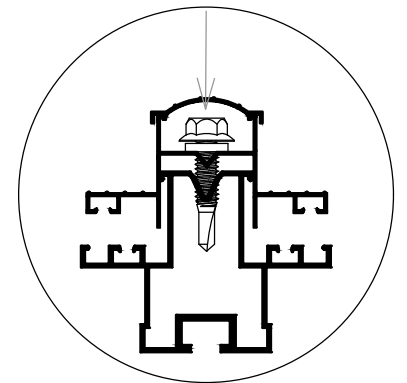
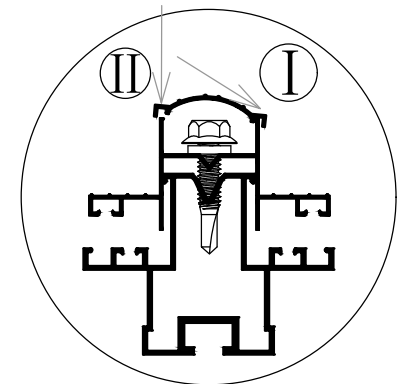


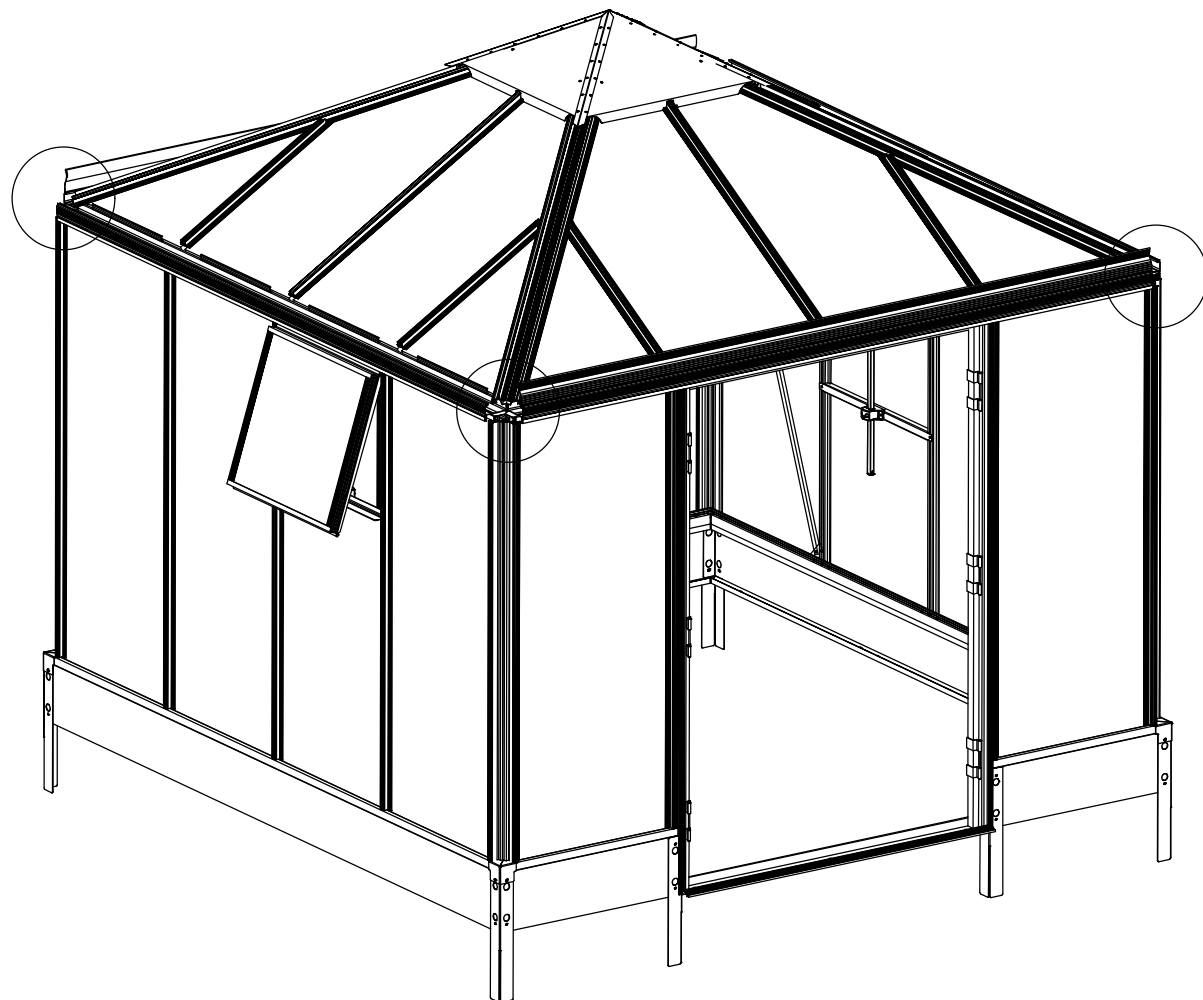
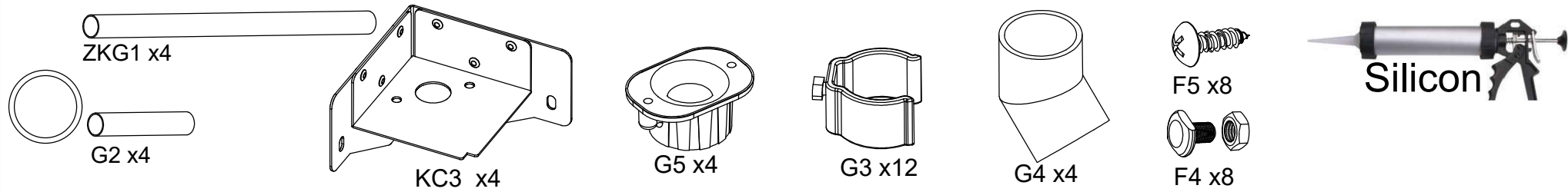
30-6C x4

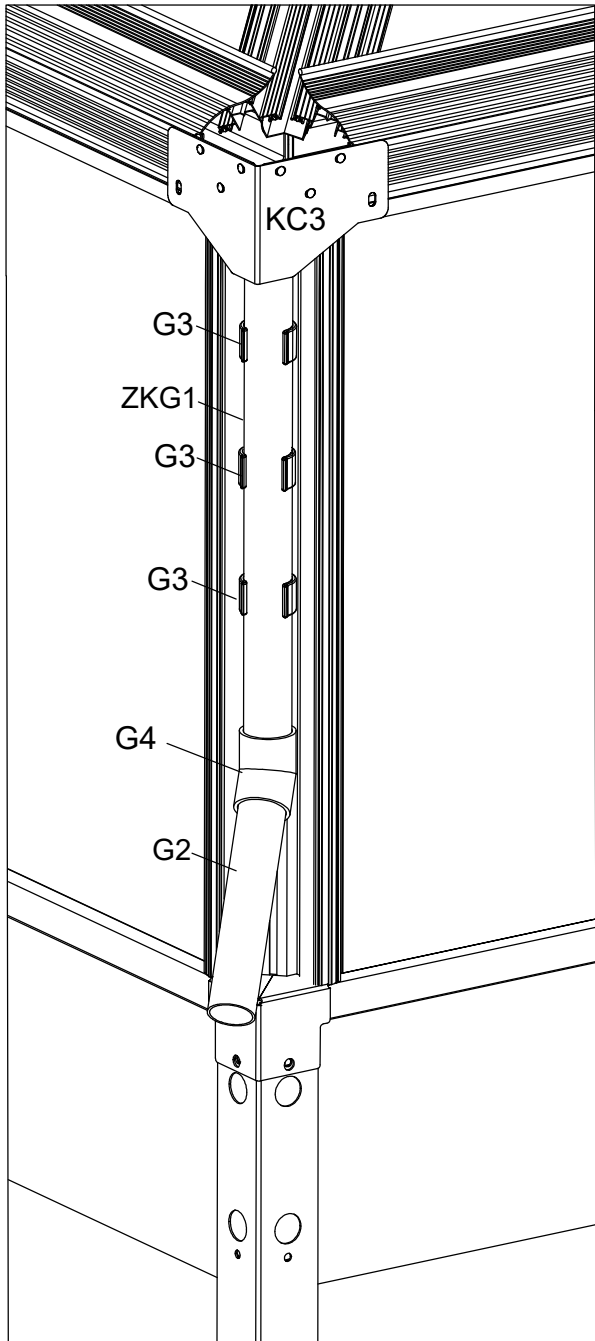




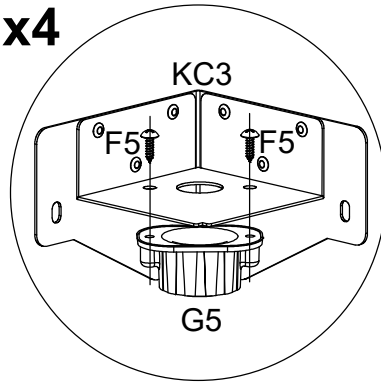
ZK-A4CX19  
ZK30-9C x4  
30-6E x8  
8C x8



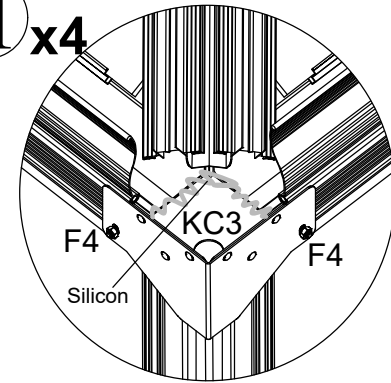




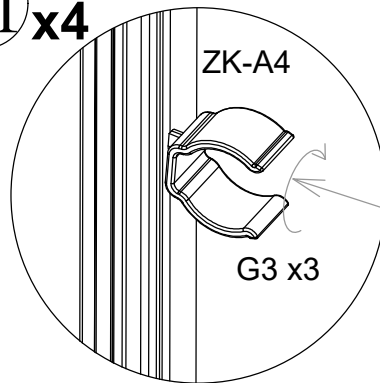
**I x4**



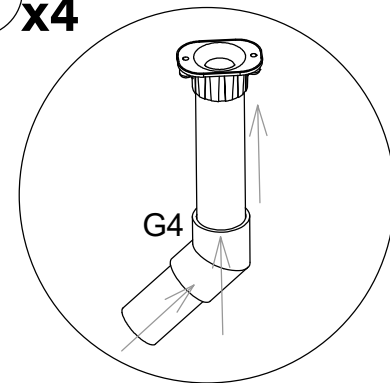
**II x4**

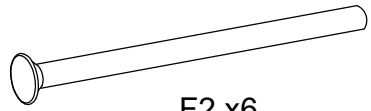


**III x4**



**IV x4**

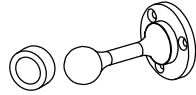




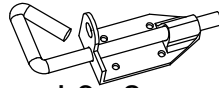
F2 x6



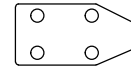
M5 x24



L2 x2



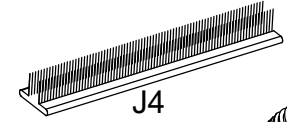
L3 x2



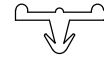
C9 x4



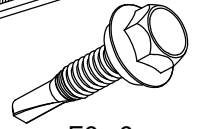
F3 x8



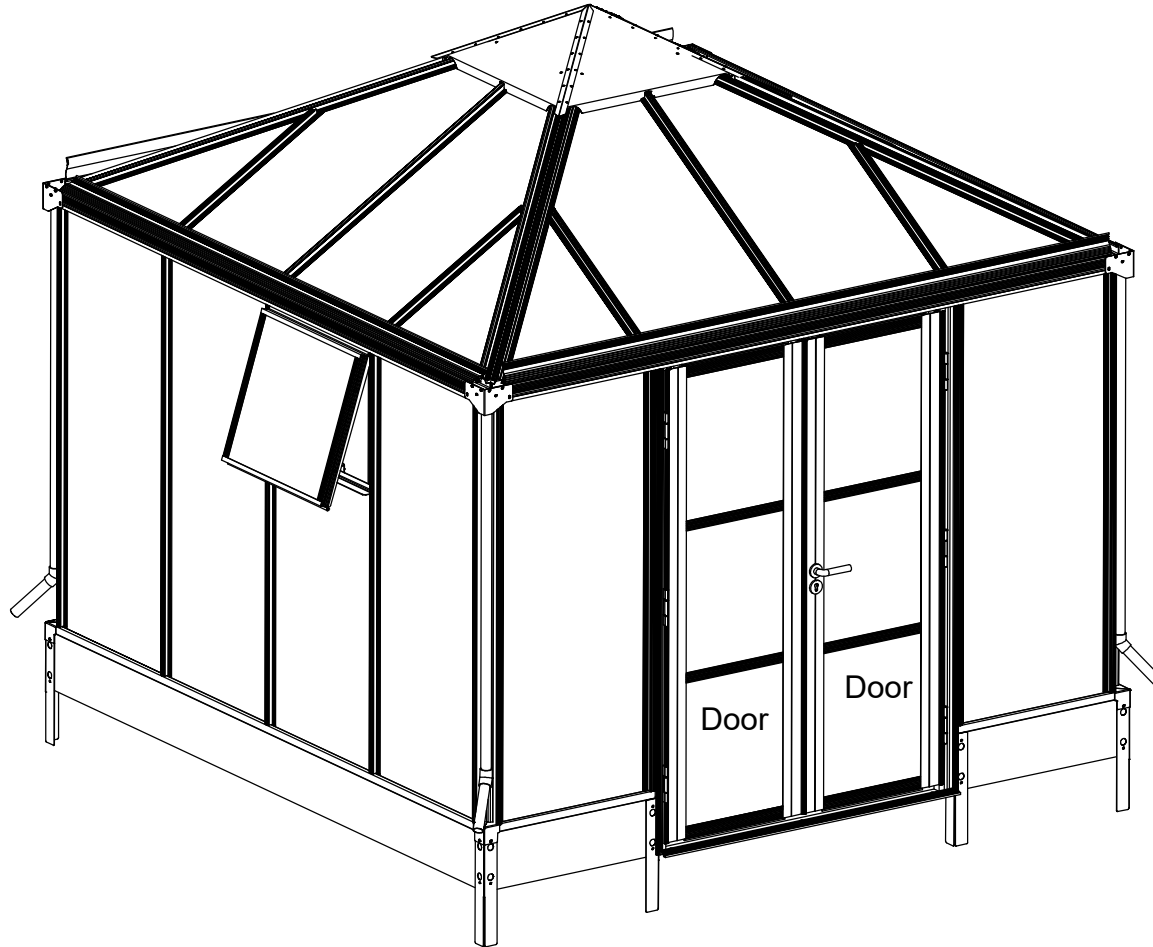
J4



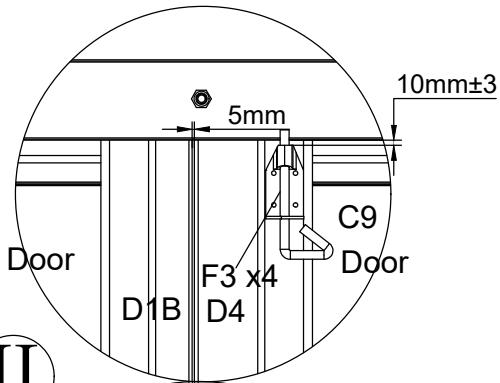
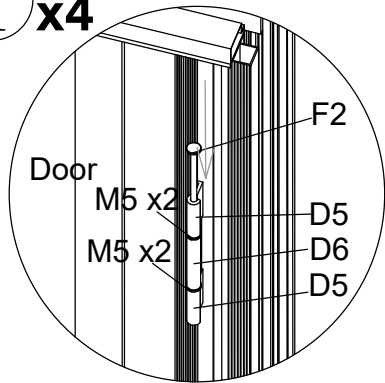
J2



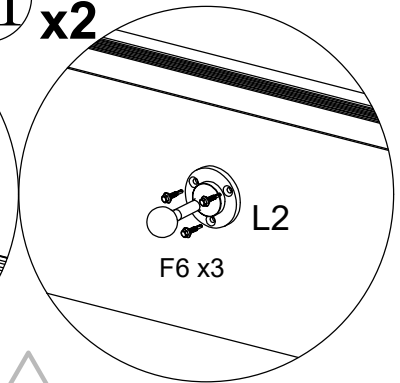
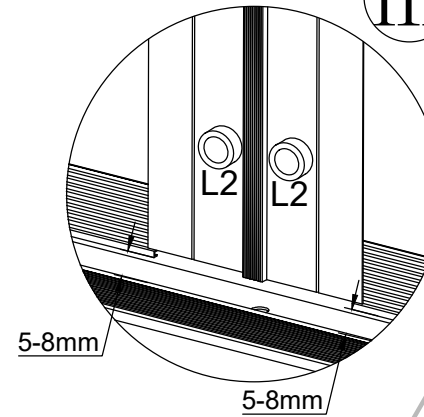
F6 x6



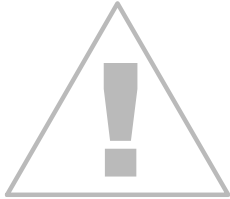
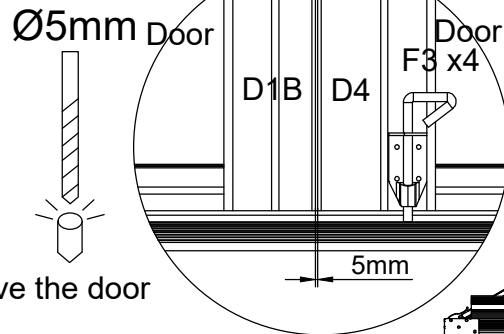
I x4



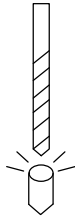
III x2



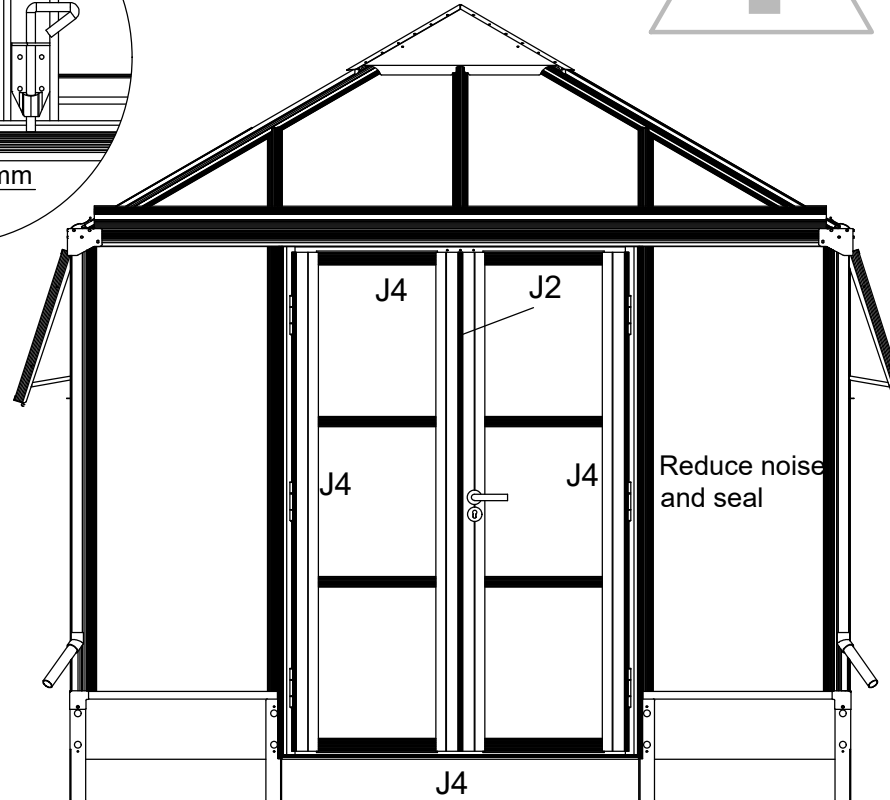
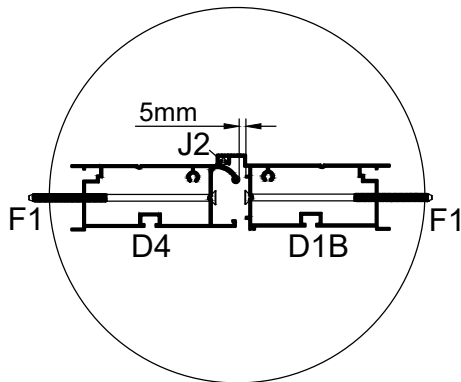
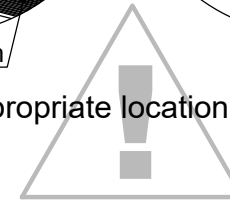
II



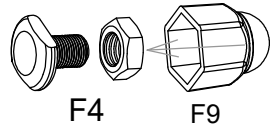
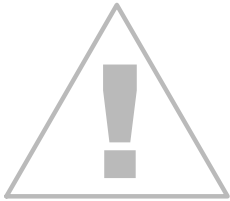
<5mm Tighten the screws F1  
Install the screws C9 to remove the door



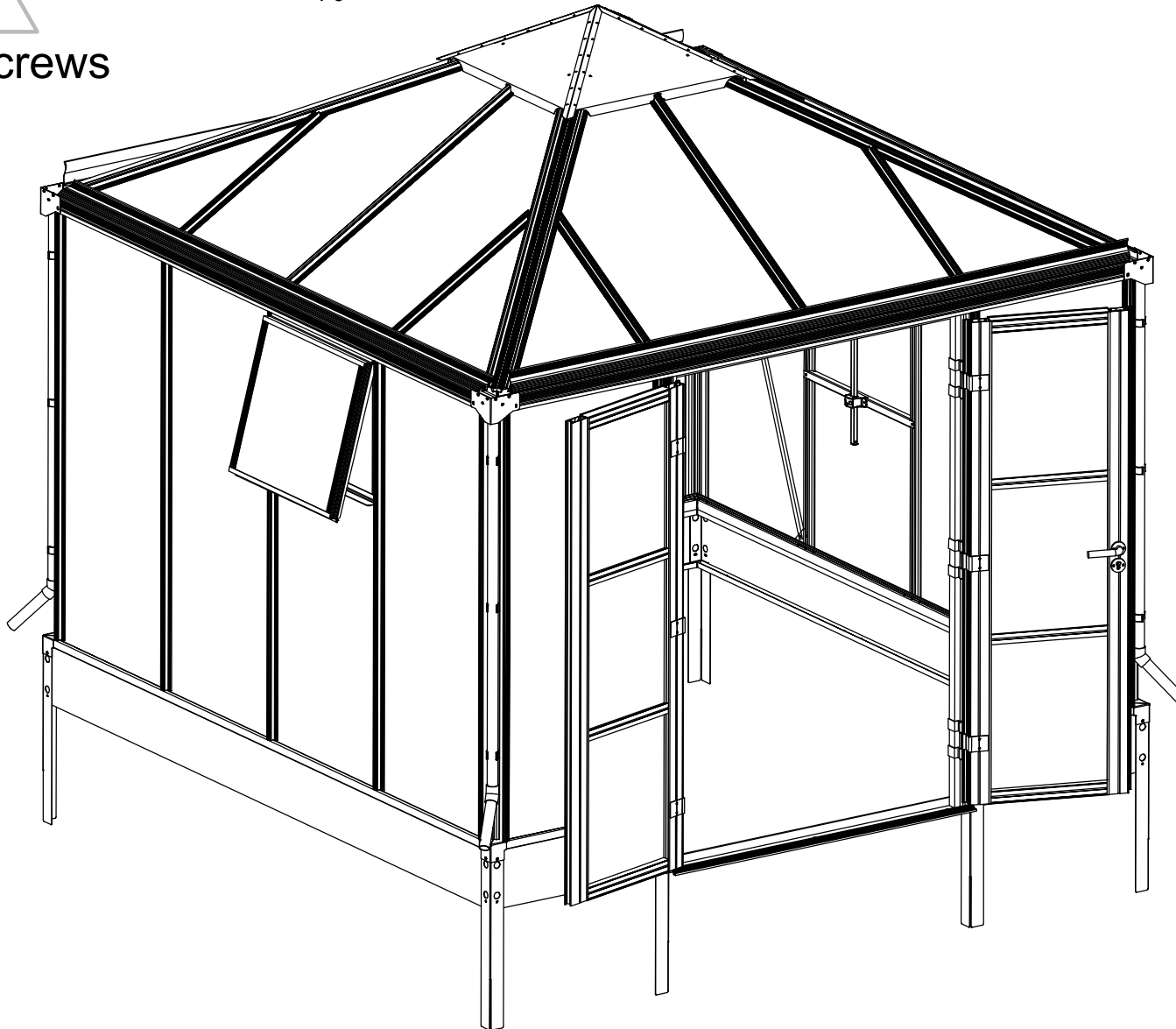
Determine the appropriate location before installing  
the door touch L2.







Tighten all screws



**Maintenance:**

In a timely manner the centralizer skeleton.

1.If the ground not level off, loose soil layer thickness is differ, wall shed may tilt to one end, once found, should be timely the centralizer, in case of deformation.

The shed may be slant when facing the un-level ground or loose soil layer, please righting the shed urgently to avoid deformation

2.Prevent increased loading-weight artificially.

Don't let any lentils, towel gourd, pumpkin and climbing fruits and vegetables to grow up on the canopy, otherwise if it is windy and rainy, skeleton is unbearable, and easy to cause skeleton crack, broken, collapse Avoid kinds of vine plant climbing on the canopy, or it can not bearing for the wind and heavy rain, broken,collapse may accured.

**The sunshine board maintenance:**

1.In the using canopy, note do not use sharp objects collision films, avoid to cut films. Be careful not collide with a sharp object films,in order to avoid scratched films when using.

2.If films appear rupture, can use glue to repair or repair with transparent tape. Available polyurethane adhesive for repairing. Often keep the films clean, generally the PC sheet replacement using 6 ~ 10 years later, so as not to affect the light transmittance. Using transparent tape adhesive to patch cracks of film when any broken in case .Keep clean films,it will better replaced by new panels after 6-10years to avoid affect the Light transmittance

3.The flame retardant in polycarbonate material, but still need to stay away from fire, avoid softening deformation.

As Polycarbonate is fire-retardant materials, please stay away from the fire ,to avoid softening deformation.

**Frame maintenance:**

1.The frame is aluminum alloy structure, if there is a white problem can wipe with a cloth in time, under high temperature and wet environment.

All frames are made of alloy aluminum. White spots may appeared under wet-hot environment, just wipe it.

2.If there is any distortion calibration shall be carried out in a timely manner in order to avoid sunshine board out, If Polycarbonate out of frame, please removed screws. Carried out in accordance with the manual installation steps, and partial restoration.Any distortion calibration shall be carried out in a timely to avoid the sunshine board fall off. Repair work should be according to the IM.

3.If connection piece serious rust, should change in time the new screws and connectors to ensure connection parts are firm

Please replaced the serious rust screws and connection for stable.

**How to do in bad weather:**

1.If there is lightning may not stay in the shed, because aluminum alloy skeleton is conductive and will be caused serious consequences

Do not stay under shed when lightning.

2.Wind power reaches 70 km/h should be prepared ready to defense equipment, fixed wall shed. Fixed method with a strong rope or cable connect the cornice work four Angle of anchor block inserted into the soil or tied in a nearby tree stem > 10 cm in diameter. Pay attention to the weather turns good dismantled after the rope or cable to avoid injury and pedestrian.

Please get defensive measures when facing heavy wind (abt 70km/H). Reinforce by steel rope and anchors which insert into ground or Strapping on a big tree

3.Clear in time at the top of the deciduous leaves led to the decrease of the canopy transparency, heat preservation effect is reduced

To avoid greenhouses reduced transparency, heat preservation effect is reduced, please clean up the leaves at the top.

4.During snow, removal work in time, if not timely to snow removal, Use solid wooden plate supporting internal intermediate point and middle position of polycarbonate, prevent snow collapsing the wall shed.

To prevent collapsing by snow, please remove the snow in time,Or support by a wooden stick support in the center of the sunshine board for reinforcement