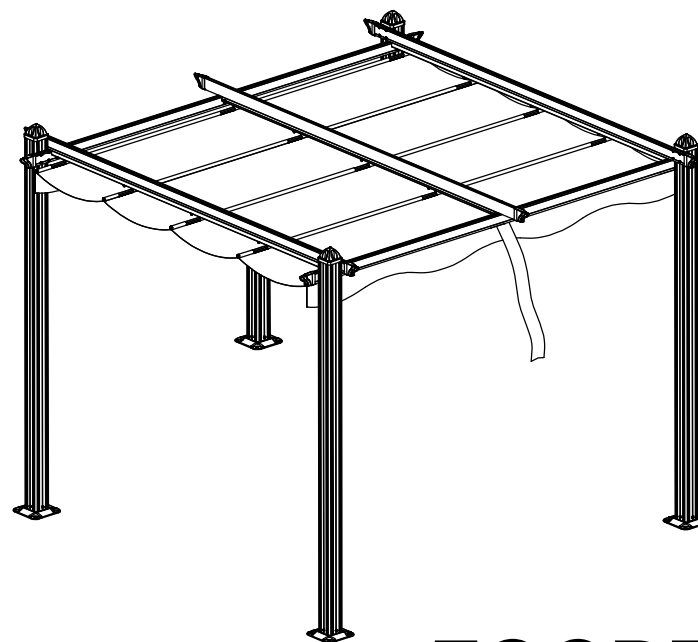


Focus Pergola - Anthracite

Size:292x292x228 cm



FOCPER-001

31/03/2020

IMPORTANT

You must read these instructions carefully before you start to assemble this PERGOLA .Please ensure that you find all parts in the carton box in the correct type and quantity as mentioned in the list illustrated in every page accordingly.

Please carry out the steps in the order set out in these instructions.

Keep these instructions in a safe place for future reference.

SAFETY ADVICE

We strongly recommend the use of work gloves during assembly.
Do not attempt to assemble the PERGOLA in windy or wet conditions,
Do not touch overhead power cables with the aluminum profiles.
Always wear shoes and safety goggles when working with extruded aluminum.
Dispose of all plastic bags safely-keep them out of reach of small children.
The PERGOLA must be positioned and fixed on a flat level surface.
Do not lean against or push the PERGOLA during construction.
Keep children away from the assemble area.
Do not position your PERGOLA in an area exposed to excessive wind.
Do not attempt to assemble this PERGOLA if you are tired ,have taken drugs
or alcohol or if you are prone to dizzy spells.
If using a step ladder or power tools ensure that you follow the manufacturer's safety advice.
Hot items such as recently used grills, blowtorches etc.must not be stored in the PERGOLA.
Ensure there are no hidden pipes or cables in the ground before inserting the pegs.

GENERAL ADVICE

This is a multi-part assembly, Allow at least 45 minutes for assembly.
Selecting a site-choose a sunny level position away from overhanging trees.
If you are fixing your PERGOLA directly to a solid concrete foundation use the
predrilled holes in the metal base supplied.
The component parts should be checked and laid out close to hand.
Keep all small parts(screws etc)in a bowl so they do not get lost.
Note that the door is hinged on the right hand side and therefore opens to the right.
Keep roof clear from snow and leaves.











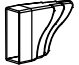





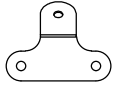



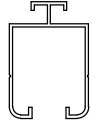

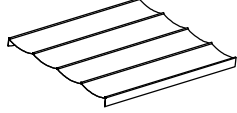
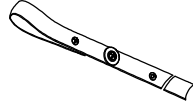
CARE & MAINTENANCE

When your PERGOLA needs cleaning, use a mild detergent solution and risen
with cool clean water.
Do NOT use acetone, abrasive cleaners or other special detergents to clean the
clear panels.

OTHER CAUTIONS

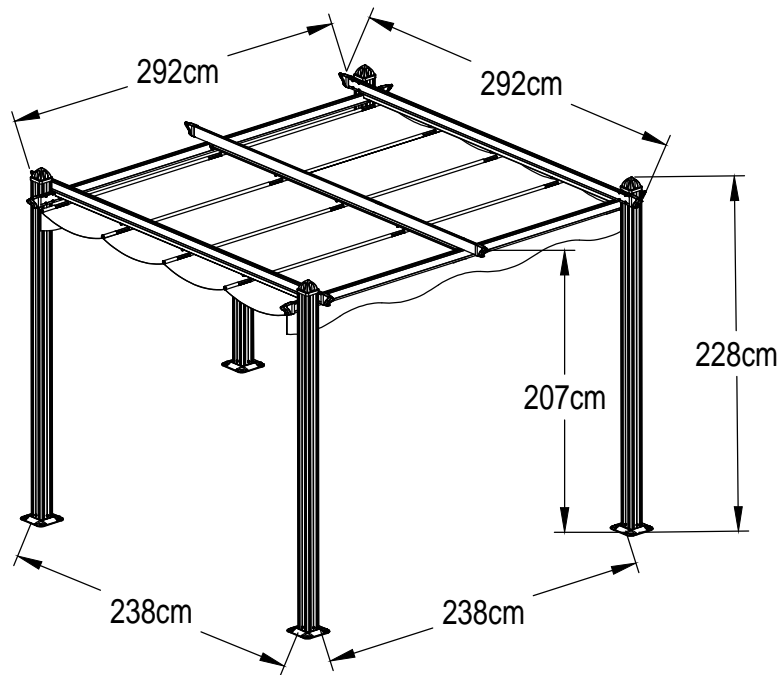
1. 2 people required, one is for measuring & taking marks to ensure the installation dimension ,the second person is responsible for the installation and the last one do as assistant and assure the safety.
2. Firstly, make sure the carport is strong enough for installation. A brick concrete structures is the best choice.
3. High-power electric tools are required, ensure the normal work of them and highly pay attention to electric safety.
4. Be careful when using the kind of blunt tools, like hammer.
5. Wearing long sleeve cotton overalls,gloves and helmet during installation and wear safety glasses when using power tools .
6. Don't look up when Working in high position, or the drop screws may hurt your eyes and suffocation causing accidentally when falling into your mouth.
7. No climbing, No standing on the tent to avoid falling down.
8. If injuries immediately, using the first-aid kit to stop bleeding, bind up, In case of emergency, taken immediately to a nearby medical institutions.

PARTS LIST

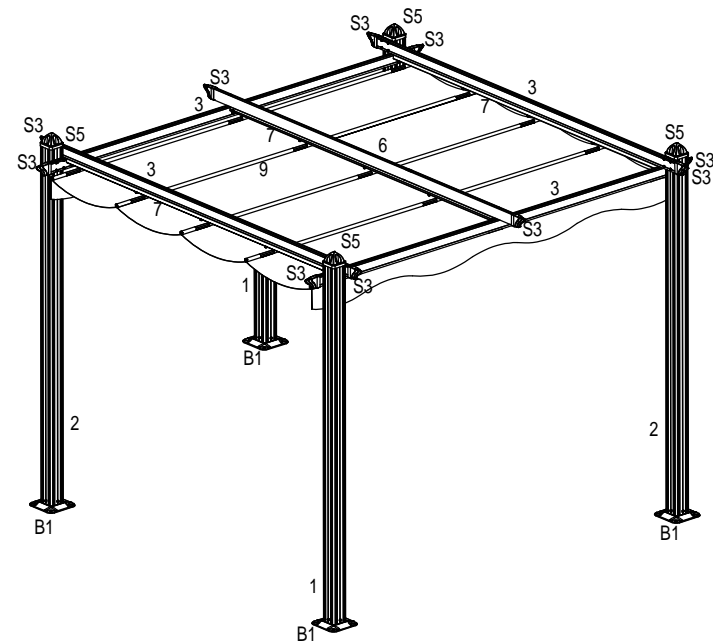
NO.	Qty.				NO.	Qty.		NO.	Qty.	
1	2		2200mm		B1	4		B9	21	
2	2				S1	15		B15	16	
3	4		2760mm		S3	10		F1	16	
					S5	4		F2	32	
6	1		2760mm		B6	2		F3	2	
					B8	15		F4	4	
7	3		2439mm		9	1		10	2	

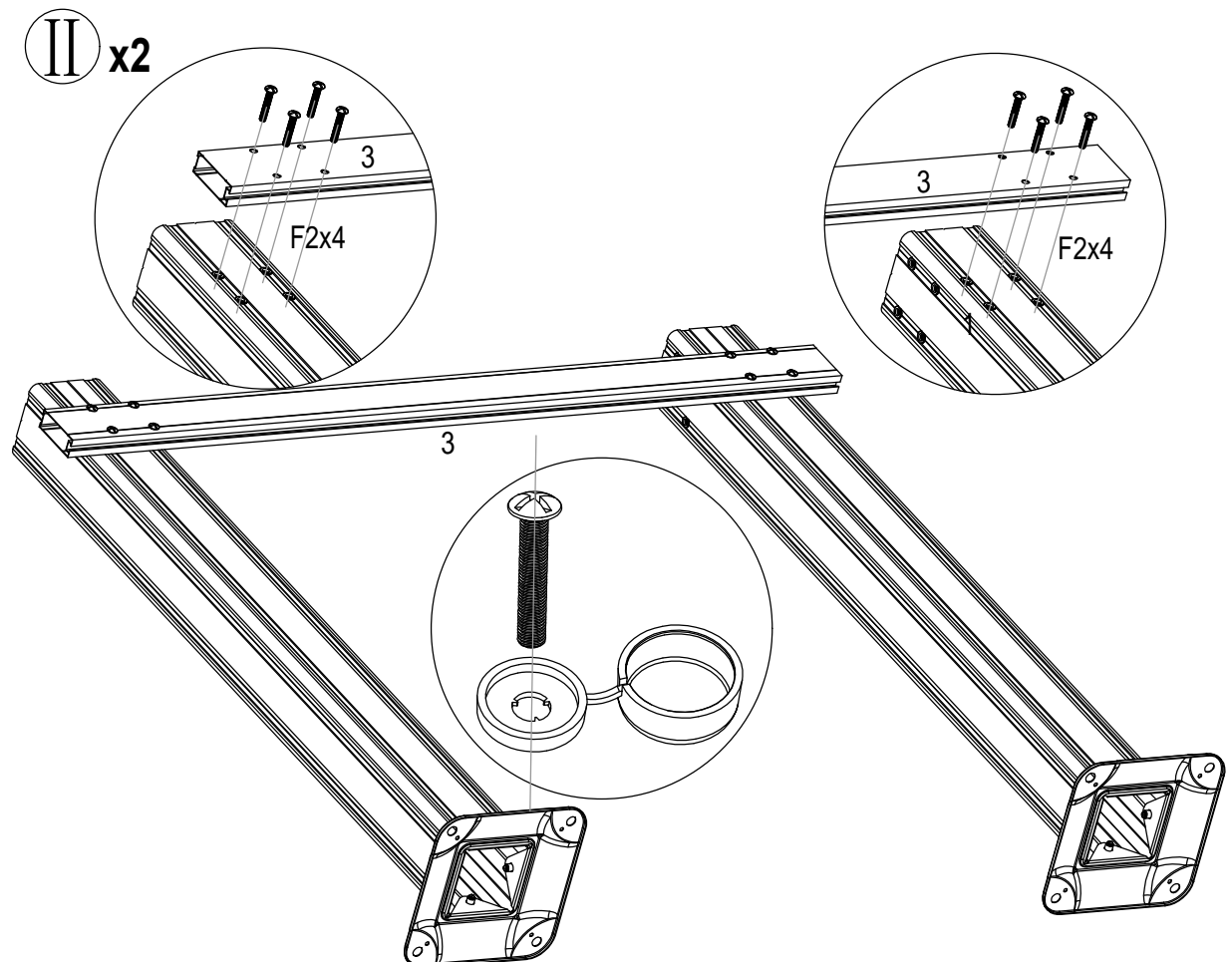
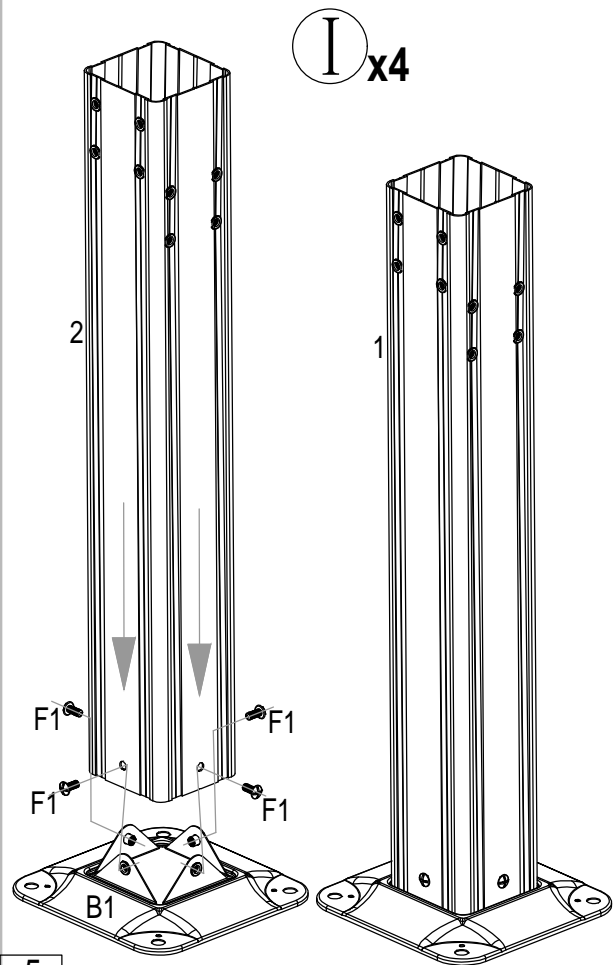
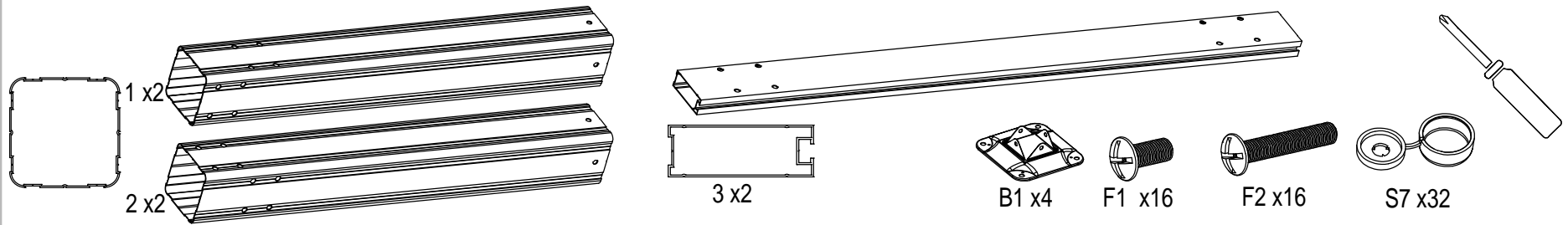
PRODUCT SIZE

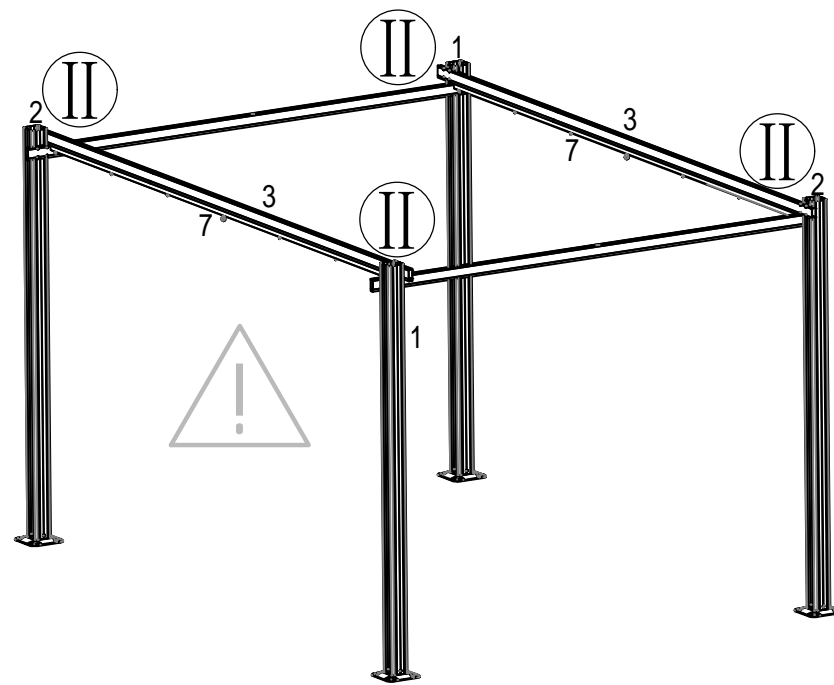
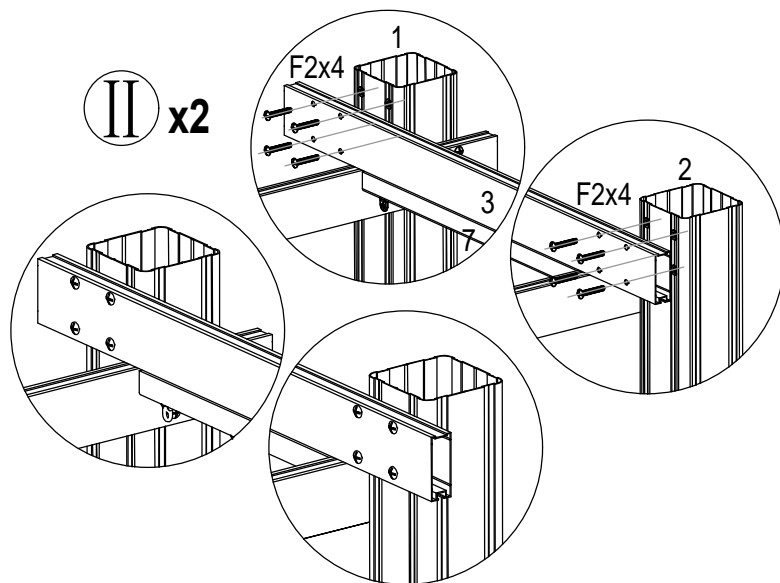
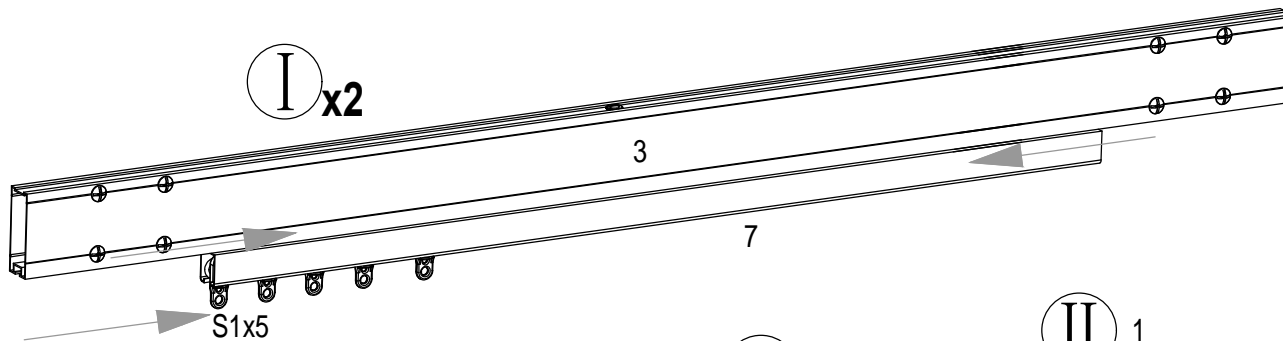
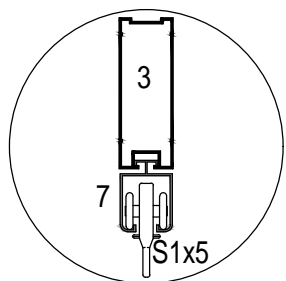
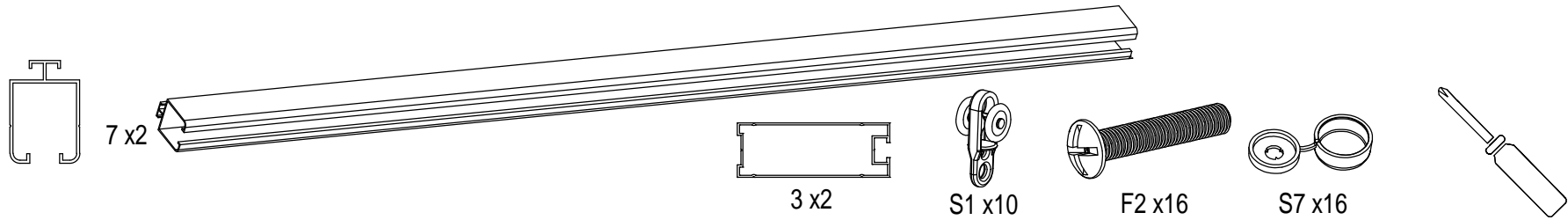
Make sure a good installation location

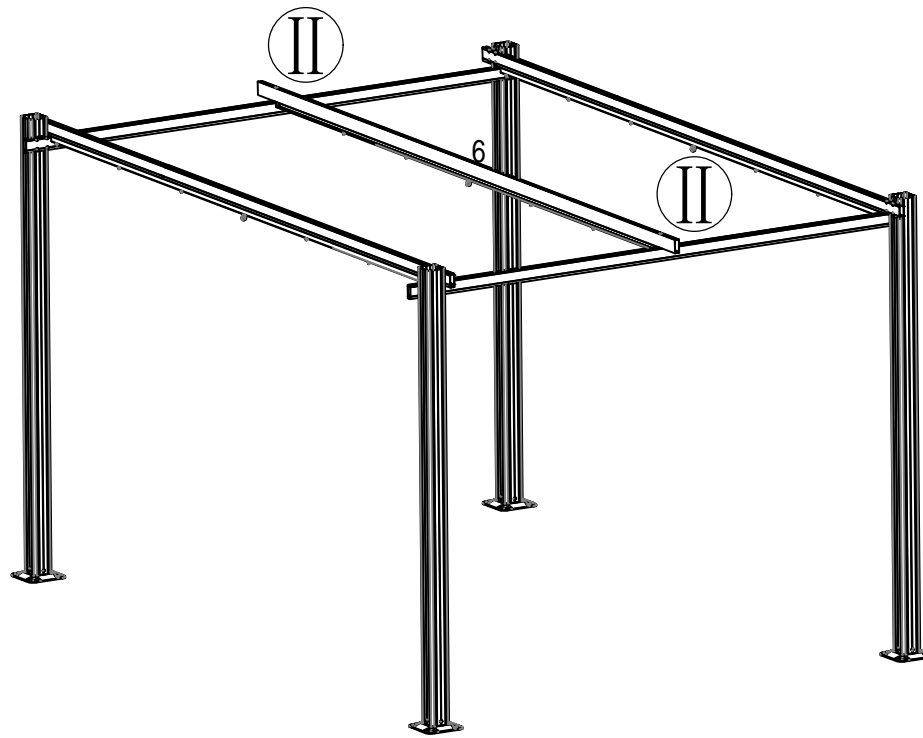
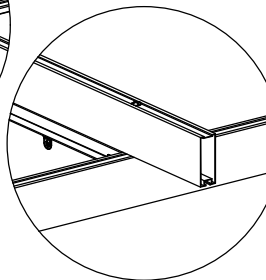
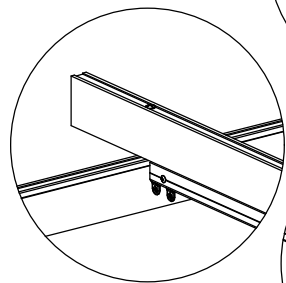
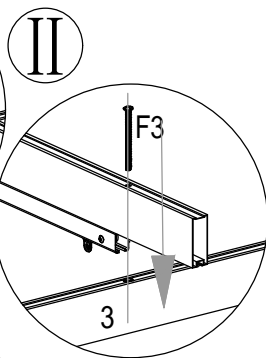
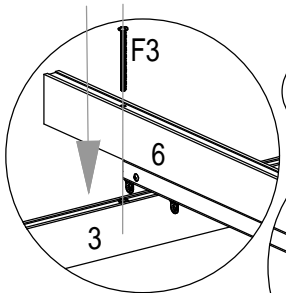
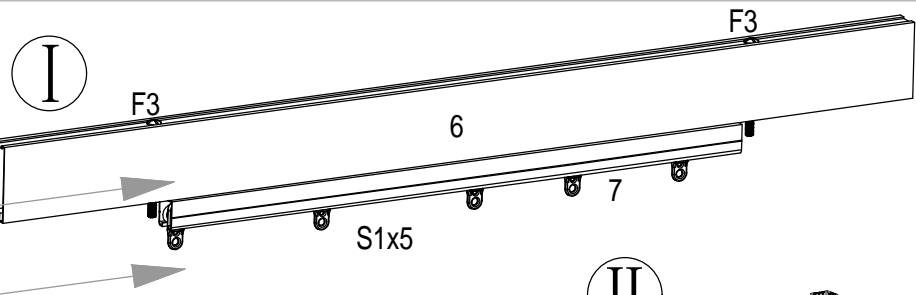
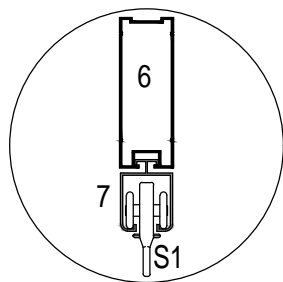
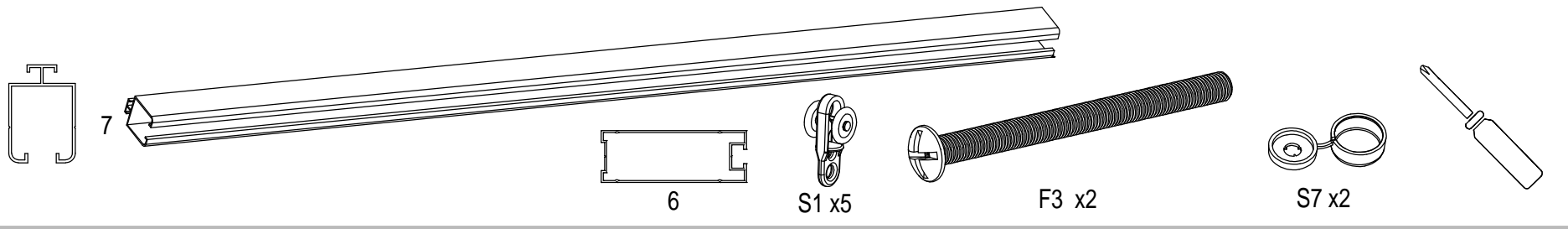


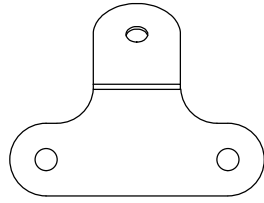
Install schematic diagram of Alu.frames



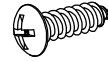




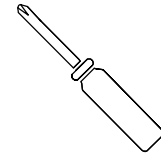




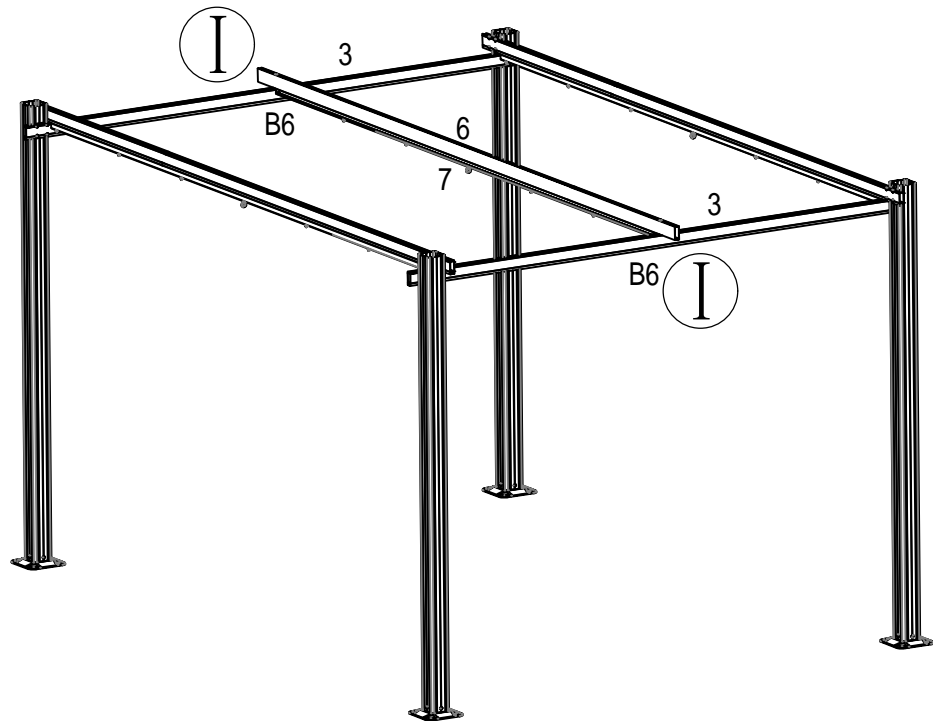
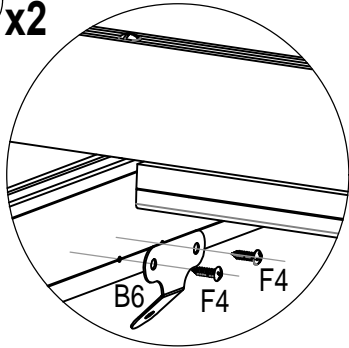
B6 x2

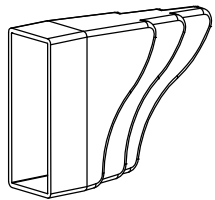


F4x4

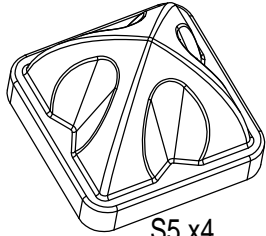


Ⓡ x2





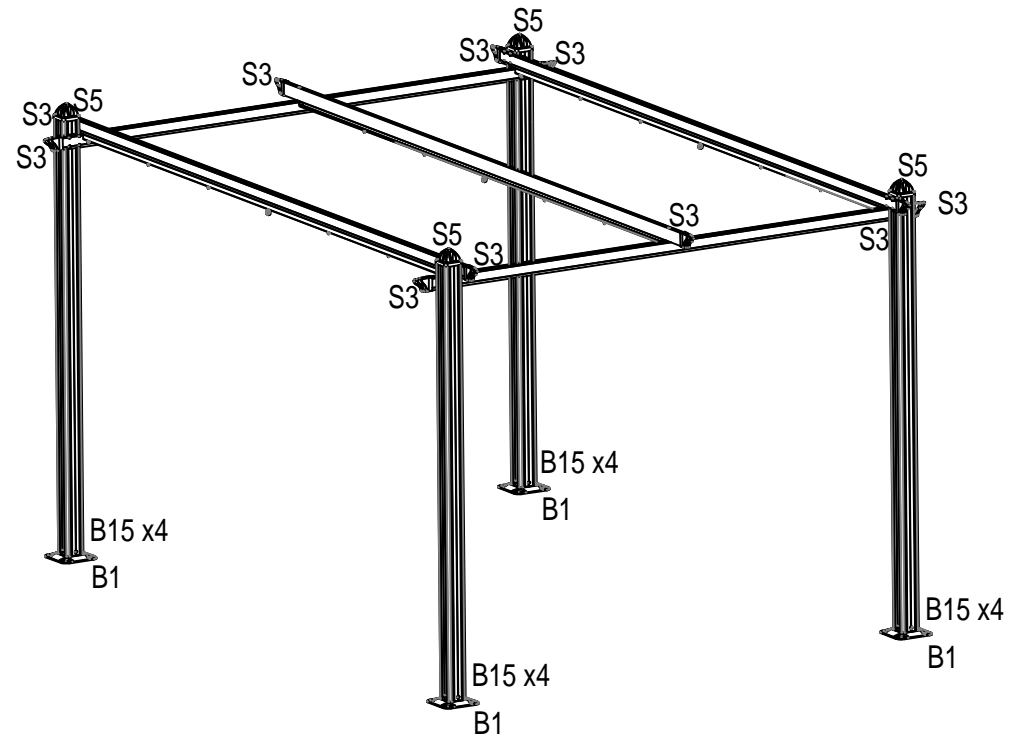
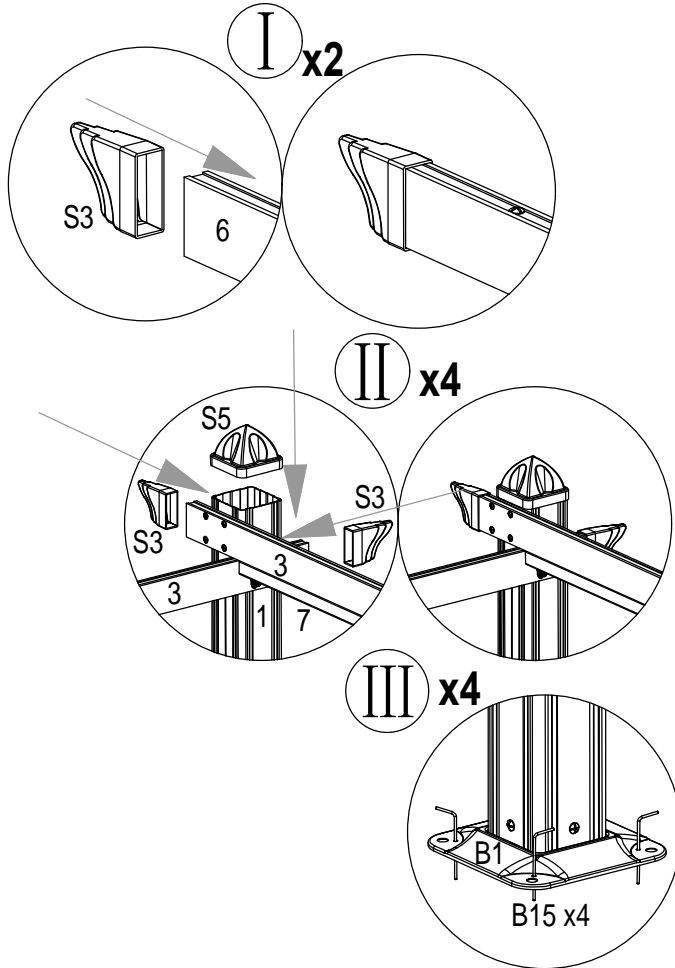
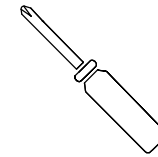
S3 x10



S5 x4

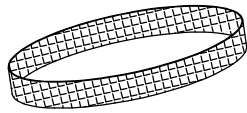


B15 x16

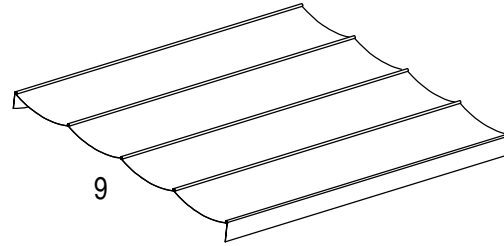




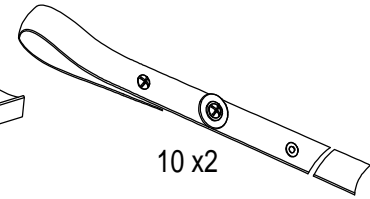
B8 x15



B9 x15

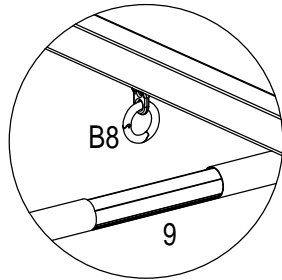


9



10 x2

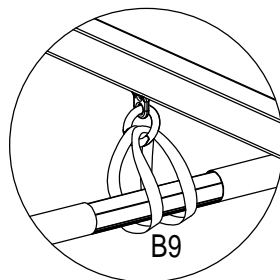
I x15



B8

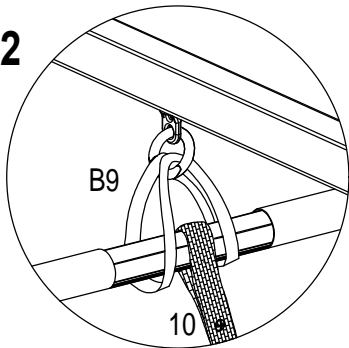
9

II x15



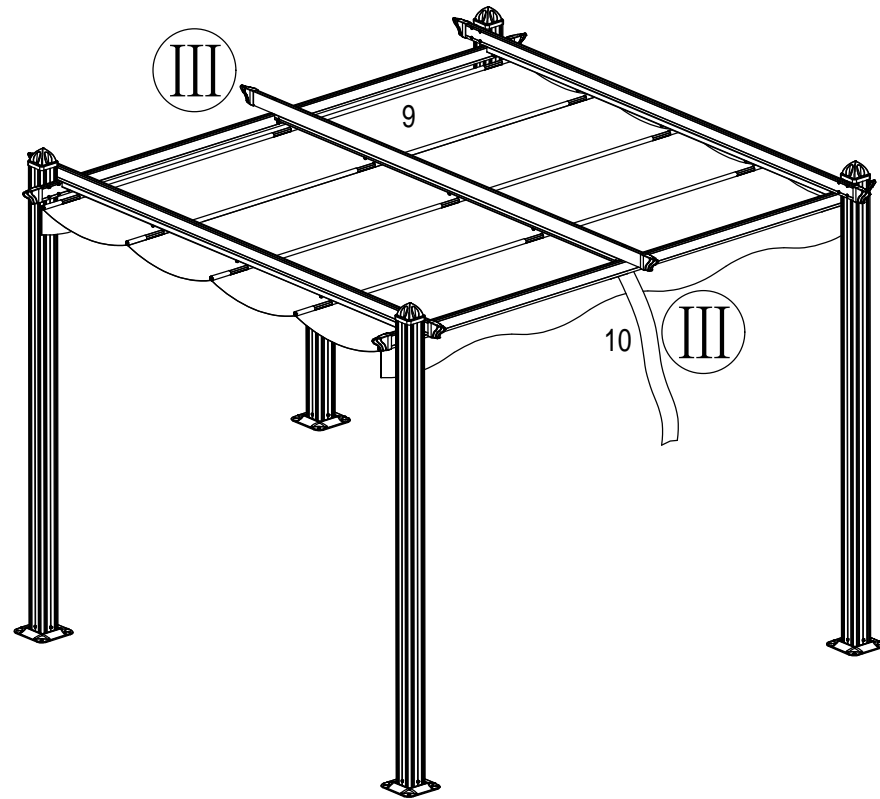
B9

III x2



B9

10



Maintenance:

In a timely manner the centralizer skeleton.

1.If the ground not level off, loose soil layer thickness is differ, PERGOLA may tilt to one end, once found, should be timely the centralizer, in case of deformation.

The shed may be slant when facing the un-level ground or loose soil layer, please righting the shed urgently to avoid deformation

2.Prevent increased loading-weight artificially.

Don't let any lentils, towel gourd, pumpkin and climbing fruits and vegetables to grow up on the canopy, otherwise if it is windy and rainy, skeleton is unbearable, and easy to cause skeleton crack, broken, collapse Avoid kinds of vine plant climbing on the canopy, or it can not bearing for the wind and heavy rain, broken, collapse may accured.

Frame maintenance:

1.The frame is aluminum alloy structure, if there is a white problem can wipe with a cloth in time, under high temperature and wet environment.

All frames are made of alloy aluminum. White spots may appeared under wet-hot environment, just wipe it.

1.If connection piece serious rust, should change in time the new screws and connectors to ensure connection parts are firm

Please replaced the serious rust screws and connection for stable.

How to do in bad weather:

1.If there is lightning may not stay in the shed, because aluminum alloy skeleton is conductive and will be caused serious consequences

Do not stay under shed when lightning.

2.Wind power reaches 70 km/h should be prepared ready to defense equipment, fixed PERGOLA. Fixed method with a strong rope or cable connect the cornice

work four Angle of anchor block inserted into the soil or tied in a nearby tree stem >10 cm in diameter. Pay attention to the weather turns good dismantled after the rope or cable to avoid injury and pedestrian.

Please get defensive measures when facing heavy wind (abt 70km/H). Reinforce by steel rope and anchors which insert into ground or Strapping on a big tree .

