

IMPORTANT INFORMATION : PLEASE REVIEW CAREFULLY

1200 SERIES BUILT-IN BBQ GAS PIPE ROUTING.

UNBOXING

Upon delivery, the flexy gas hose will be stored above the grease tray (refer to **FIGURE 1**). This initial placement is solely for transportation and packaging purposes. Prior to use, the hose must be repositioned beneath the grease tray (see **FIGURE 2 and FIGURE 3**) to ensure it is properly oriented. This adjustment is essential for safeguarding the gas lines from direct exposure to open flames and the heat generated by the burners.

FIGURE 1

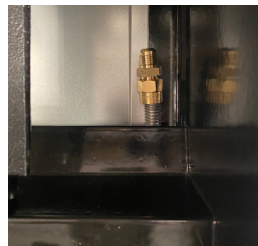


FIGURE 2



FIGURE 3



EXTENDED HOSE

To accommodate the extended hose, first detach the short hose attached to the BBQ (**FIGURE 1**). Next, remove the Male-to-Male fitting from the short hose (**FIGURE 2**). Attach the Male-to-Male fitting to one end of the new extended hose (**FIGURE 3**). Subsequently, connect the assembled hose to the BBQ, then attach the standard rubber hose and regulator kit. Finally, route the hose underneath the BBQ to the rear of the unit for proper setup.

FIGURE 1



FIGURE 2

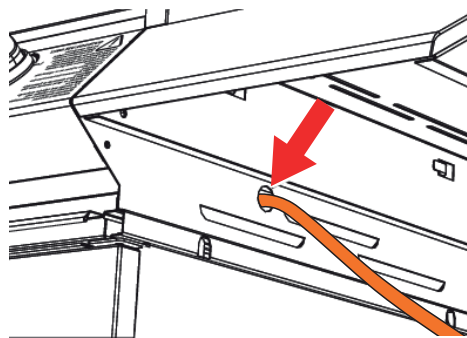
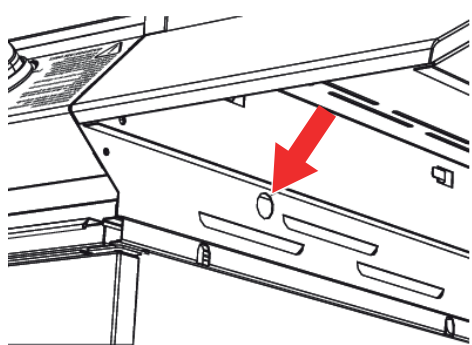


FIGURE 3



INCORRECT ROUTING

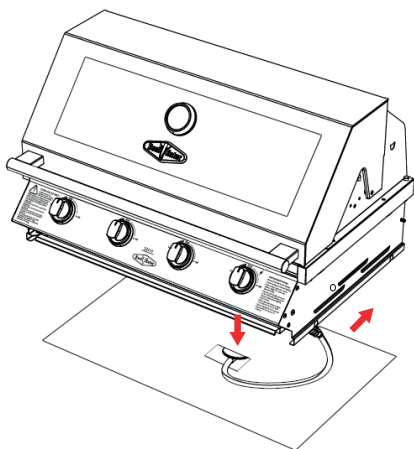
The image below illustrates an improper routing of the gas lines. The hose has been routed through the side hole of the chassis, which is designated solely for manual lighting procedures in the event of ignition failure. This passage is not intended for gas line routing. If positioned as shown, the hose would be exposed directly to the heat source and open flames from the first burner, potentially impacting the performance of the BBQ.



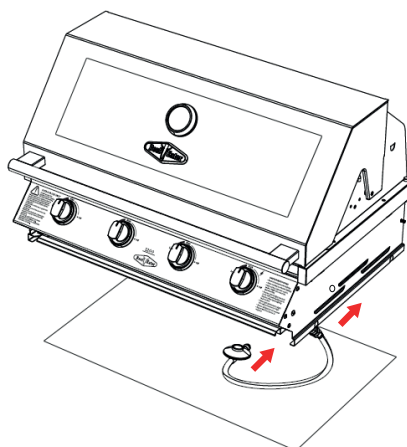
CORRECT ROUTING

There are two correct methods for installing the gas line. The first method involves routing the line through the top of the unit directly beneath the BBQ, provided that the unit is constructed from, or lined with, a non combustible material and is properly vented. This can be accomplished using the standard short flexible hose and regulator kit supplied with the BBQ.

The second method involves running the hose underneath the BBQ and exiting at the rear of the unit to connect to a gas bottle housed in a separate cabinet. To implement this approach, an extended flexible hose must be purchased, and the male-to-male fitting included with the standard kit should be replaced accordingly.



METHOD 1



METHOD 2



*If you have any questions or need further support then please contact us via
Email sales@beefeater europe.co.uk or Tel +44 (0) 1934 743322.