



Assembly Instructions

Pavilion Shuffleboard Table + Cover Pack
(Product Code: 63005924)

**PLEASE RETAIN THIS DOCUMENT ALONG WITH YOUR
PROOF OF PURCHASE FOR FUTURE**


















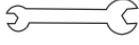

Congratulations on your recent purchase of your beautiful Hartman furniture. We hope it brings you countless special moments with friends and family for many years to come.

Please follow these simple steps to build your furniture. We also have a very useful video available online to assist with the assembly, please visit www.hartmanuk.com







TOP TIPS






- Please read these instructions carefully before assembly, for further assistance please view our assembly video online for an easy step by step demonstration.
- Aluminium is a soft metal and over tightening may strip the thread or break the part, please loosely assembly your furniture before tightening to secure.
- Please **do not** use power tools, please use the Allen key and spanner provided in the bolt pack.
- Please allow 1 hour for assembly.
- This furniture can be assembled with **1** person; however, you may need someone to assist you when turning the furniture over into position.

PARTS LIST

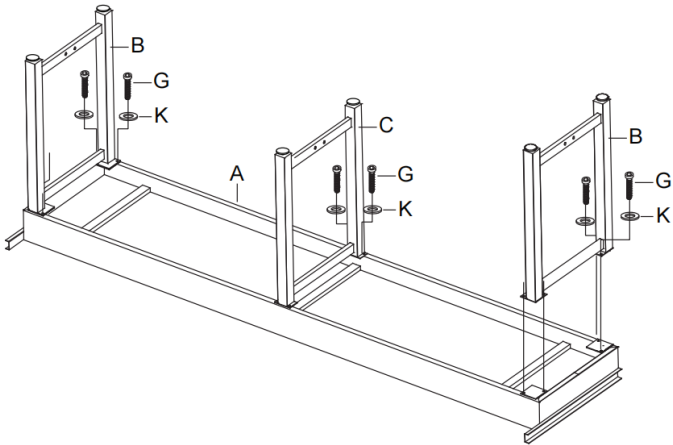
Components					Fixings				
Parts List	Parts Picture	Description	Qty	Part no	Parts List	Parts Picture	Description	Qty	Part no
A		Shuffleboard Tabletop	1	63005924A	G		M6*20 Bolts	26	1091162
B		Shuffleboard Table Leg End	2	63005924B	H		M6*40 Bolts	6	2002179
C		Shuffleboard Table Middle Leg	1	63005924C	I		M6*50 Bolts	4	2002162
D		Connecting Bar	2	63005924D	J		M6*70 Bolts	4	2200024
E		Dining Tabletop	1	63005924E	K		Flat Washer	50	1061166
F		Dining Table Leg	1	63005924F	L		Nut	10	1121162
P		Feet Caps	2	63005924P	M		Flat Head Bolt 4*40mm	4	1241167
Q		Wheels	3	63005924Q	N		Allen Key	2	1010162
R		Runners	2	63005924R	O		Spanner	1	2100049
S		Score Counter	2	63005924S					

Other Accessories

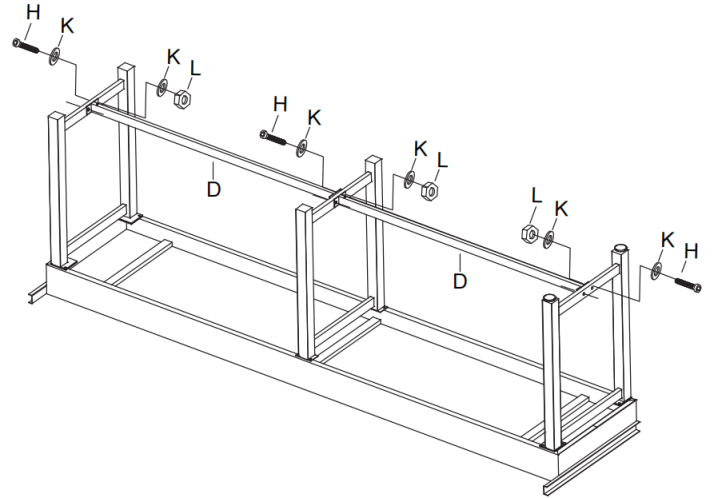
T		Cover	1	63005924T	W		Table Wax	1	63005924W
U		Black Puck	4	63005924U	X		Brush	1	63005924X
V		White Puck	4	63005924V	Y		Spirit Level	1	63005924Y

Z1		Carry Case for Shuffleboard Parts	1	63004924Z1		Z2	Pinsetter	1	63004924Z2
Z3		Bowling Pin	10	63004924Z3		Z4	Bowling Ball	1	63004924Z4
Z5		Carry Case for Bowling Set	1	63004924Z5					

STEP 1 & 2: LEG ASSEMBLY -

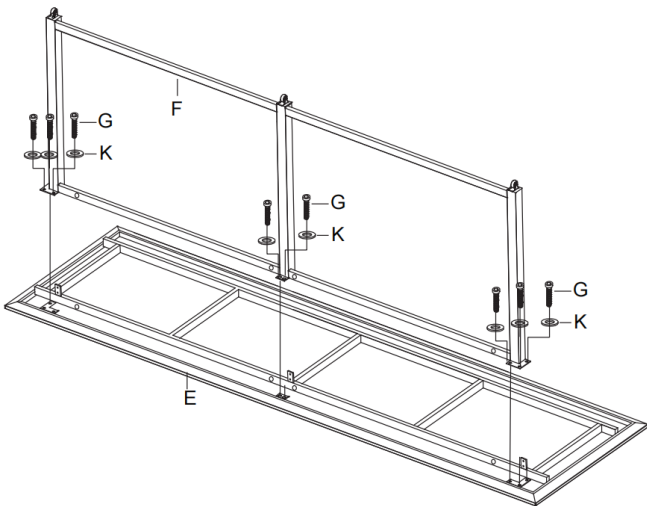


STEP 1: Loosely attach two shuffleboard end legs (B) and middle leg (C) to shuffleboard tabletop (A) with bolts (G) and flat washers (K) using Allen key (N).

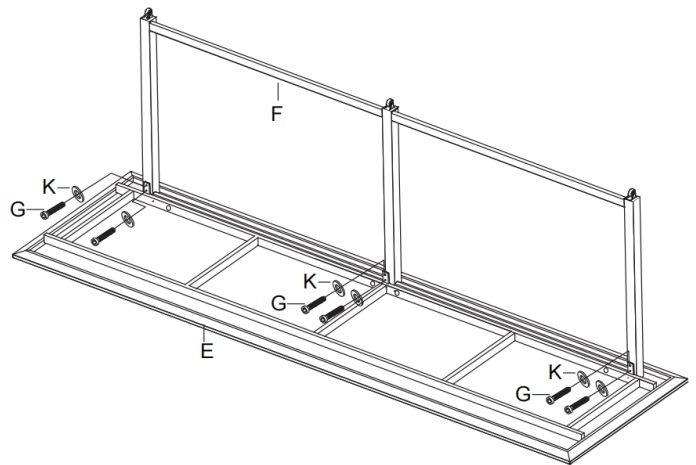


STEP 2: Loosely attach connecting bar (D) to three legs (B&C) with bolts (H), nuts (L) and flat washers (K) using Allen key (N) and spanner (O).

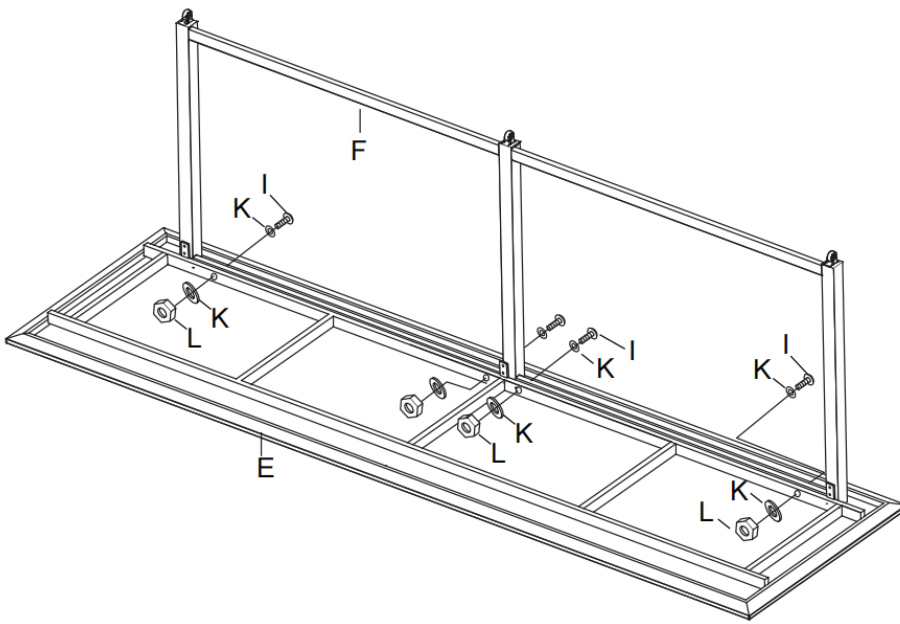
STEP 3: LEG ASSEMBLY -



STEP 3: Loosely attach dining table leg (F) to dining tabletop (E) with bolts (G) and flat washers (K) using Allen key (N).

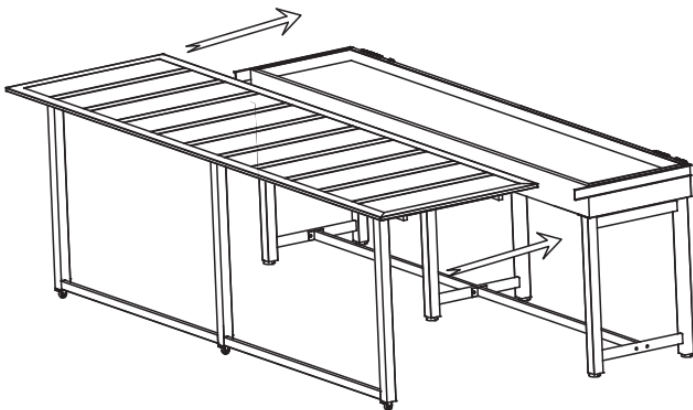


STEP 3: LEG ASSEMBLY -

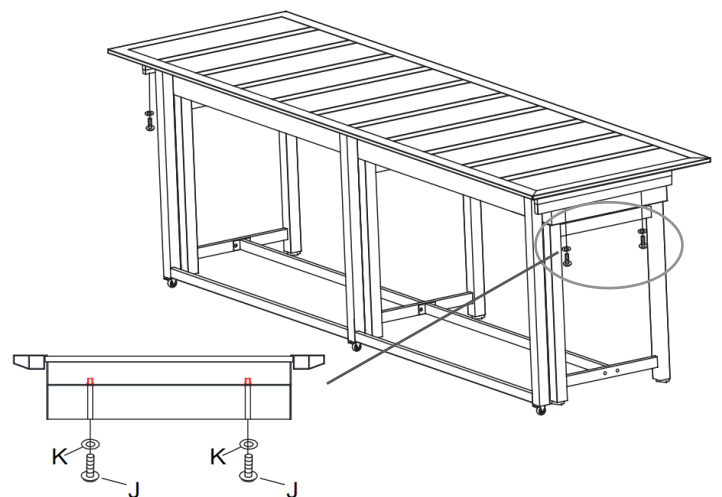


STEP 4: Loosely attach dining table leg (F) to dining tabletop (E) with bolts (I), nuts (L) and flat washers (K) using Allen key (N) and spanner (O).

STEP 5 & 6: TIGHTENING & TURN TABLE OVER

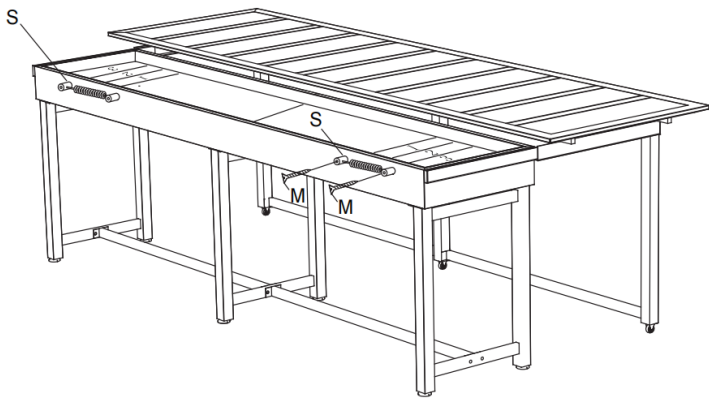


STEP 5: Tighten all bolts using Allen key (N) and spanner (O), then turn the assembled dining table over.

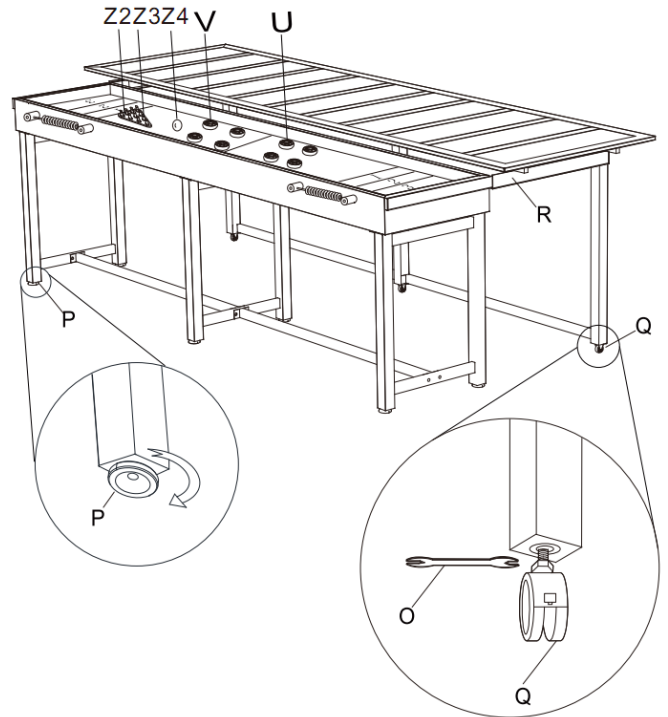


STEP 6: Put dining table under assembled shuffleboard table, then fix with bolts (J) and flat washers (K) using Allen key (N).

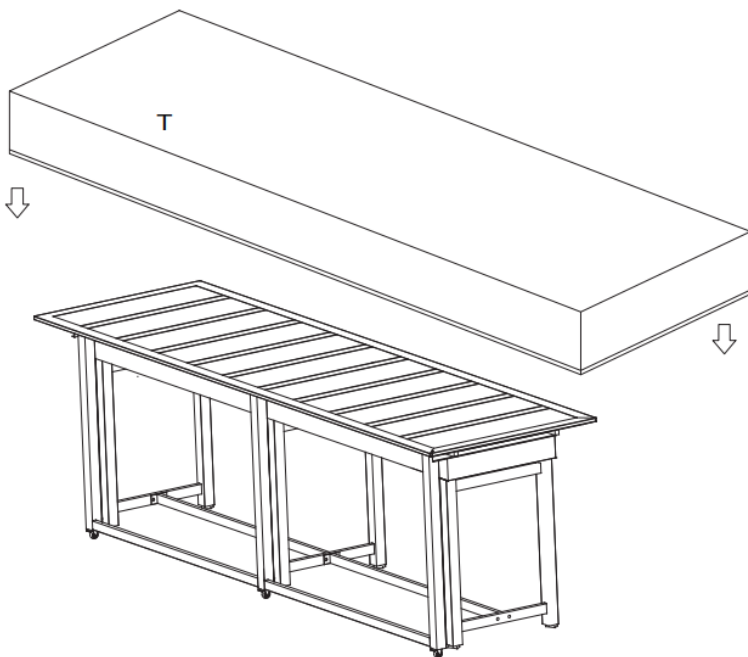
STEP 7 & 8: THE FINISHING TOUCHES



STEP 7: Fix scorers (S) on table rim with flat head bolts (M).



STEP 8: Put black pucks (U) and white pucks (V) on shuffleboard top. Put bowling ball (Z4) and bowling pins (Z3) in the triangle board (Z2). Fix foot caps (P) and wheels (Q) using spanner (O). Assembling is finished till this step.



If table is not used, you could use furniture cover (T) to protect.