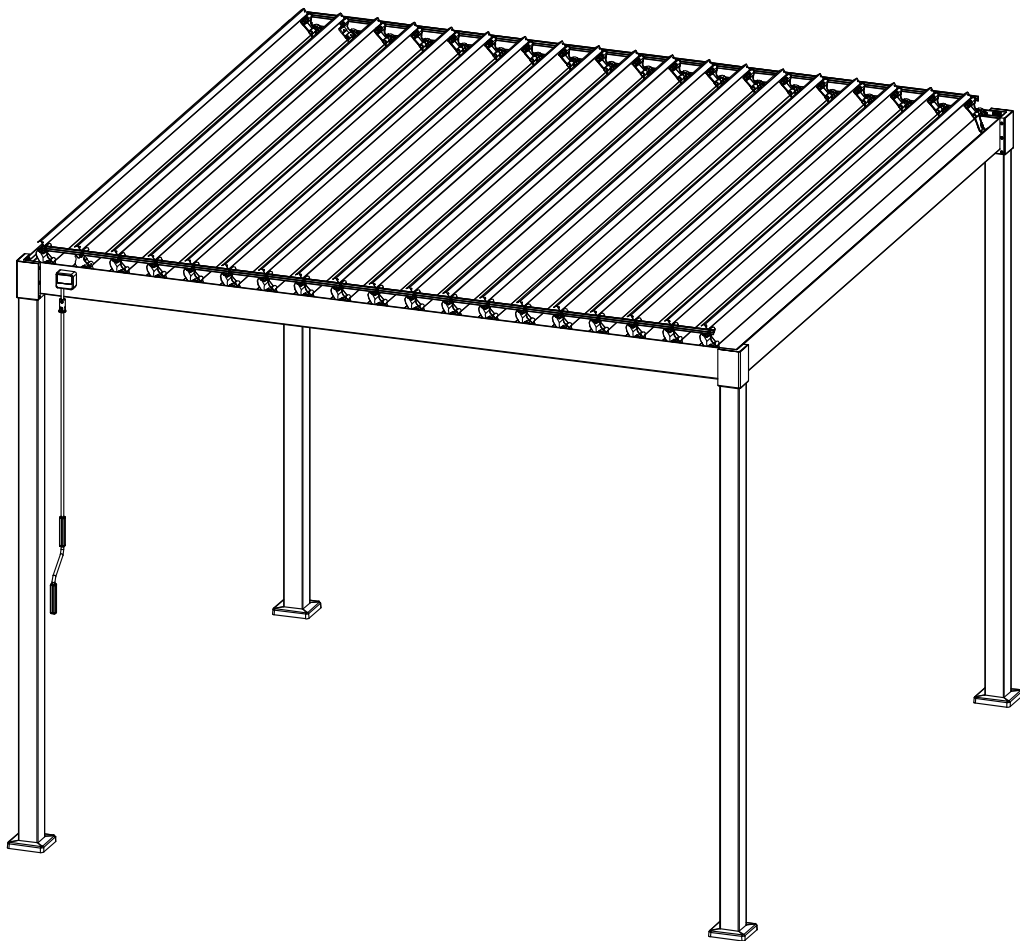
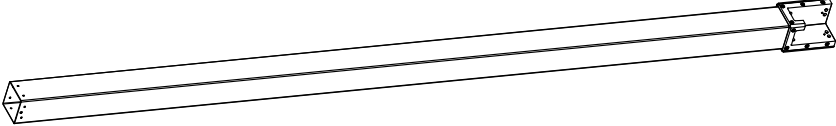
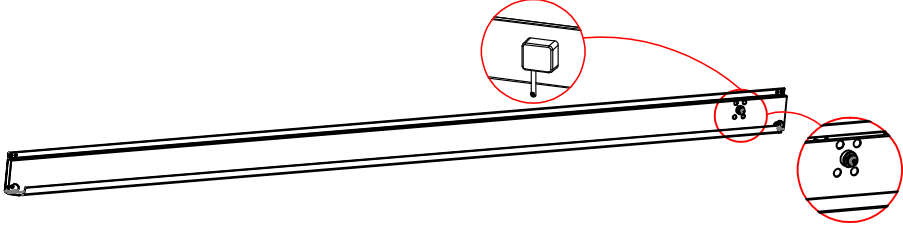
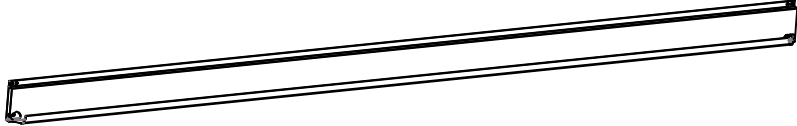

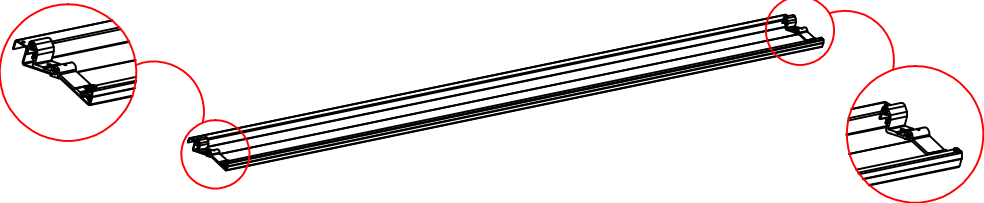

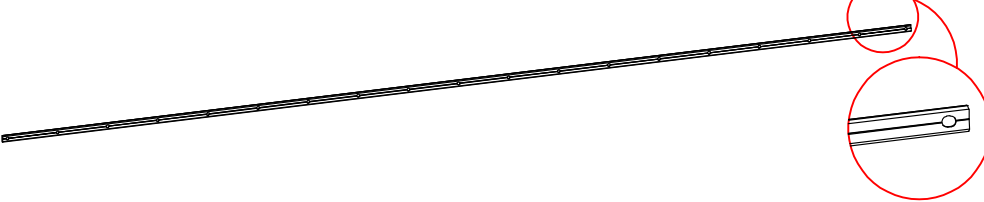



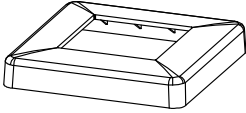
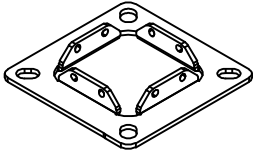
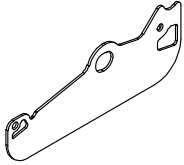
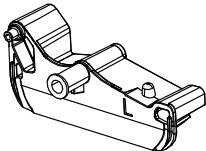
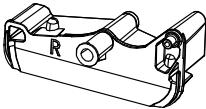
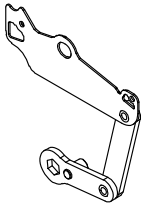
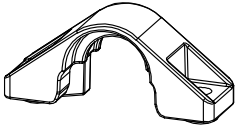
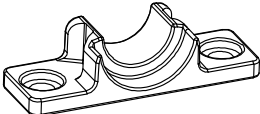
MIRADOR[®] 3x3m

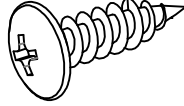
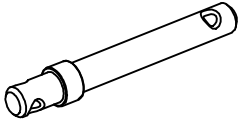
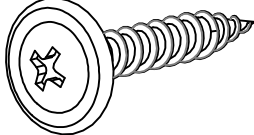
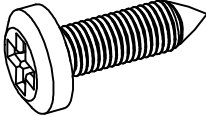
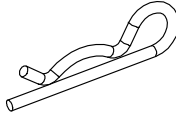
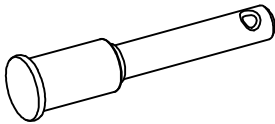
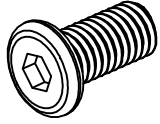
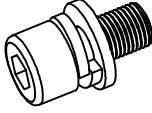
User Manual

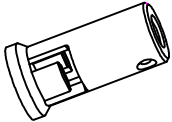
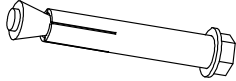






	REF	QTY	REF	QTY	REF	QTY
Carton 1/2	(A)	4PCS	(B1)	1PC	(B2)	1PC
	(C)	2PCS	(G)	2PCS	(H)	1PC
	(I)	4PCS	(J)	4PCS	(K)	1PC
	(K1)	20PCS	(K2)	20PCS	(L)	1PC
	(M1)	40PCS	(M2)	40PCS	(O)	113PCS
	(P)	2PCS	(Q)	46PCS	(R)	76PCS
	(S)	8PCS	(T)	2PCS	(U)	18PCS
	(U1)	18PCS	(V)	1PC	(W)	16PCS
	(X)	1PC	(Y)	2PCS	(Y1)	2PCS
	(Z)	1PC	User Manual	1SET		
Carton 2/2	(D1)	18PCS				
	(D)	1PC				

REF	PICTURE	QTY
A		4PCS
B1		1PC
B2		1PC
C		2PCS
D		1PCS
D1		18PCS
G		2PCS
H		1PC

REF	PICTURE	QTY
I		4PCS
J		4PCS
K		1PC
K1		20PCS
K2		20PCS
L		1PC
M1		40PCS
M2		40PCS

REF	PICTURE	QTY
O	 ST5.5x23mm	113PCS
P		2PCS
Q	 ST4.2x25mm	46PCS
R	 ST4.8x16mm	76PCS
S		8PCS
T		2PCS
U	 M8x16mm	18PCS
U1	 M8x18mm	18PCS

REF	PICTURE	QTY
V		1PC
W		16PCS
X		1PC
Y		2PCS
Y1		2PCS
Z	 Ø12mm	1PC

REF	PICTURE	QTY

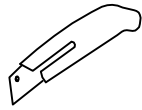
Warning

In snow season or in case of snow forecast open up your shutters in vertical position to avoid any damaging on your pergola.

What you need?



Glove



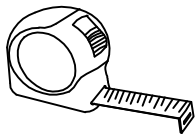
Knife



Hammer



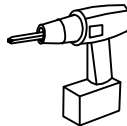
Safety hat



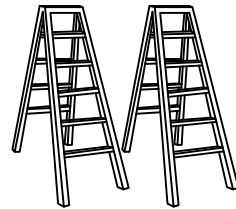
Tapeline



Level bar



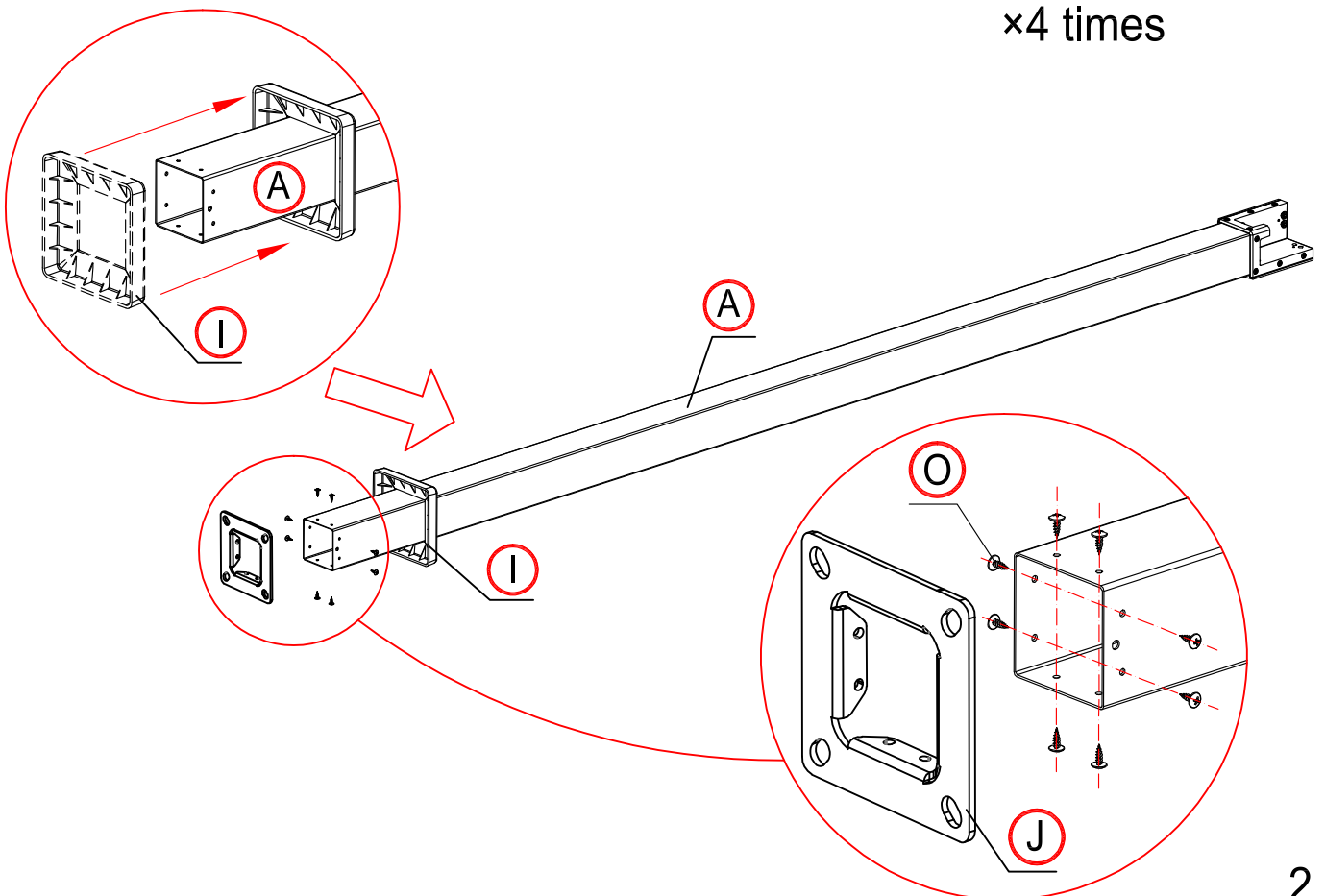
Electric screw driver



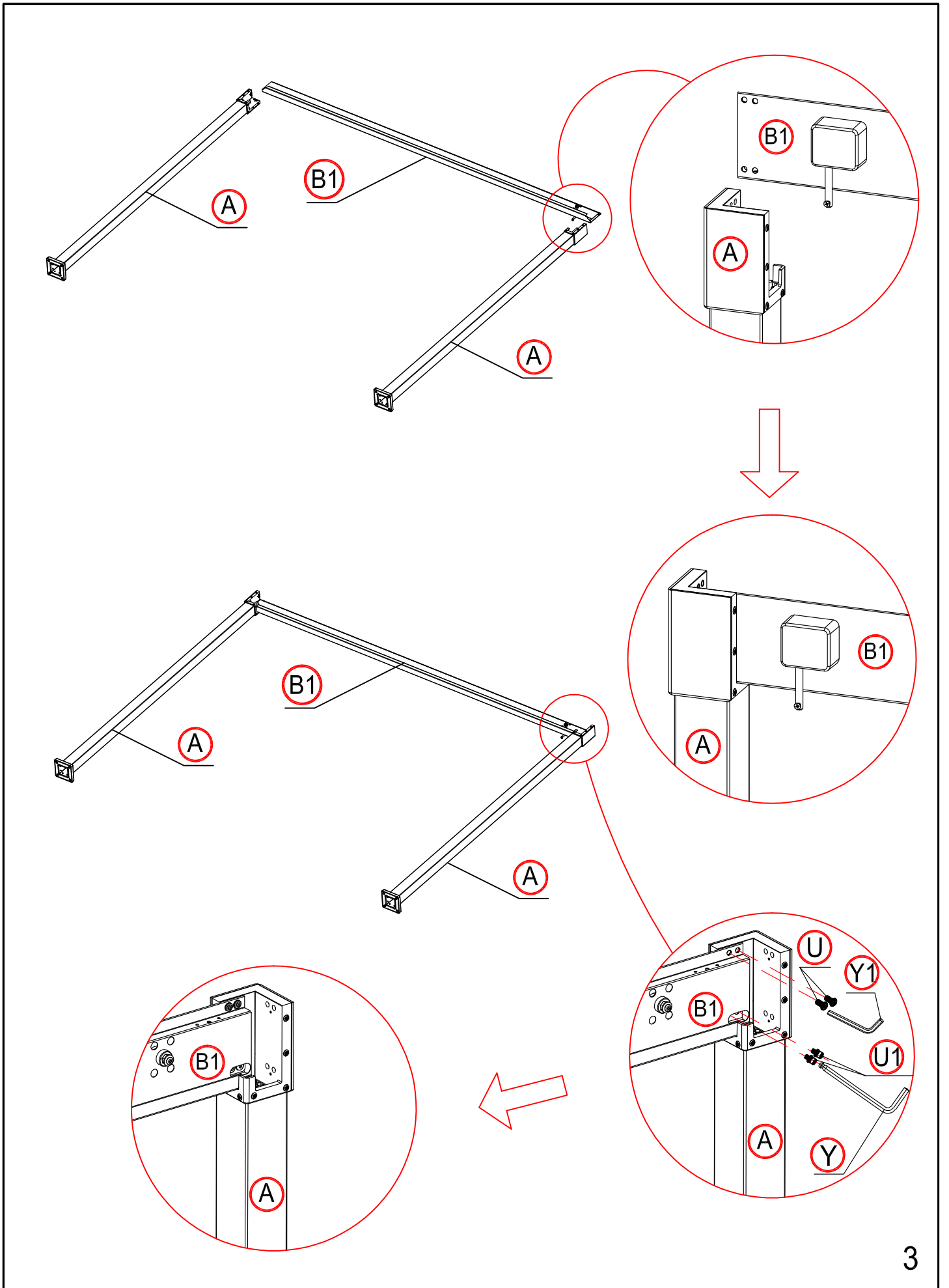
Ladder

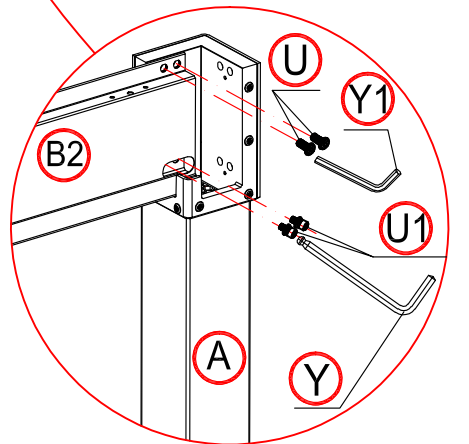
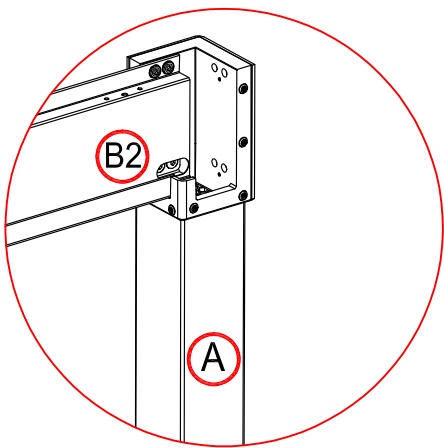
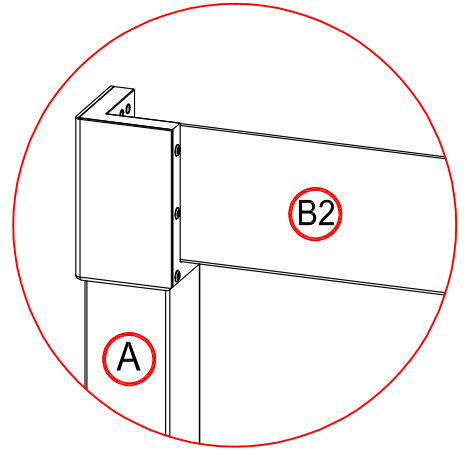
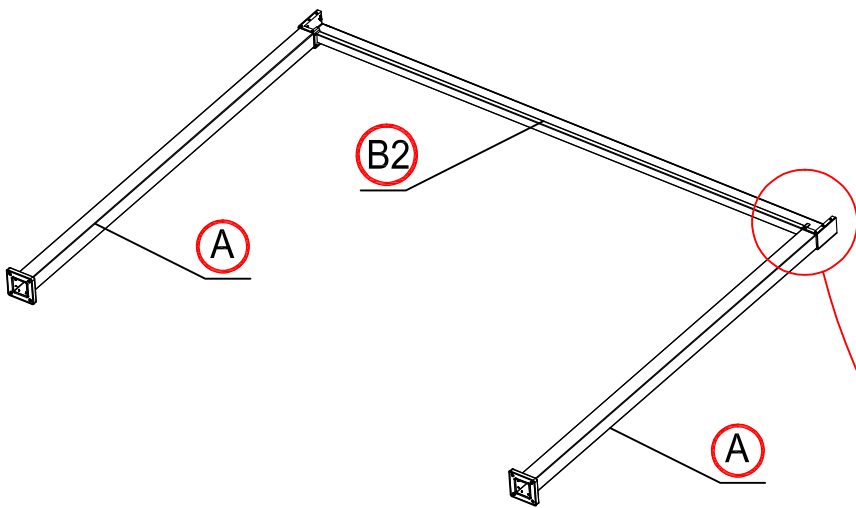
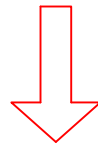
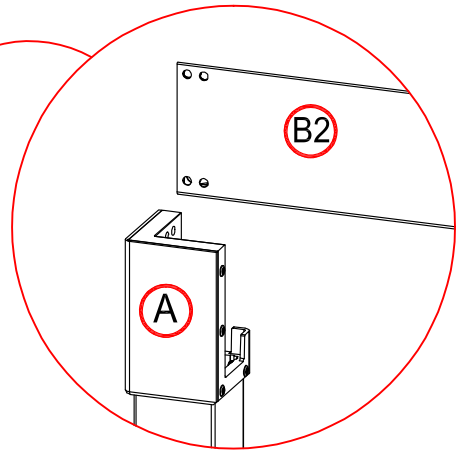
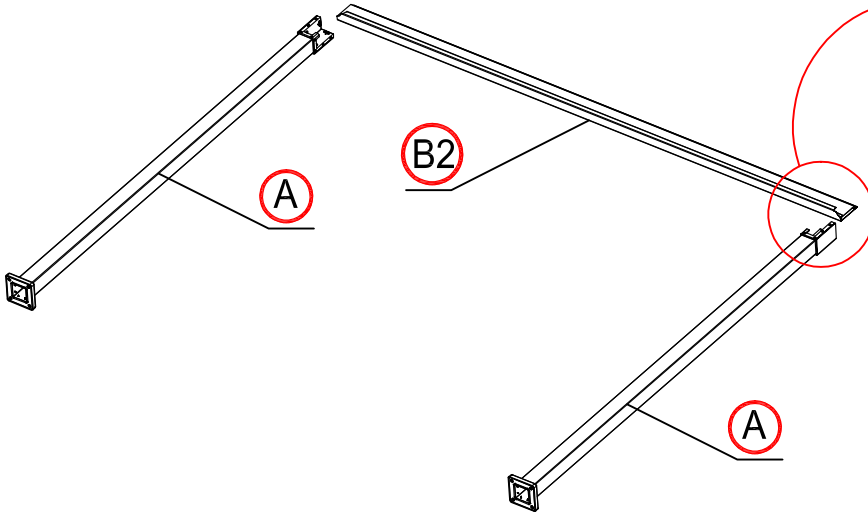
1

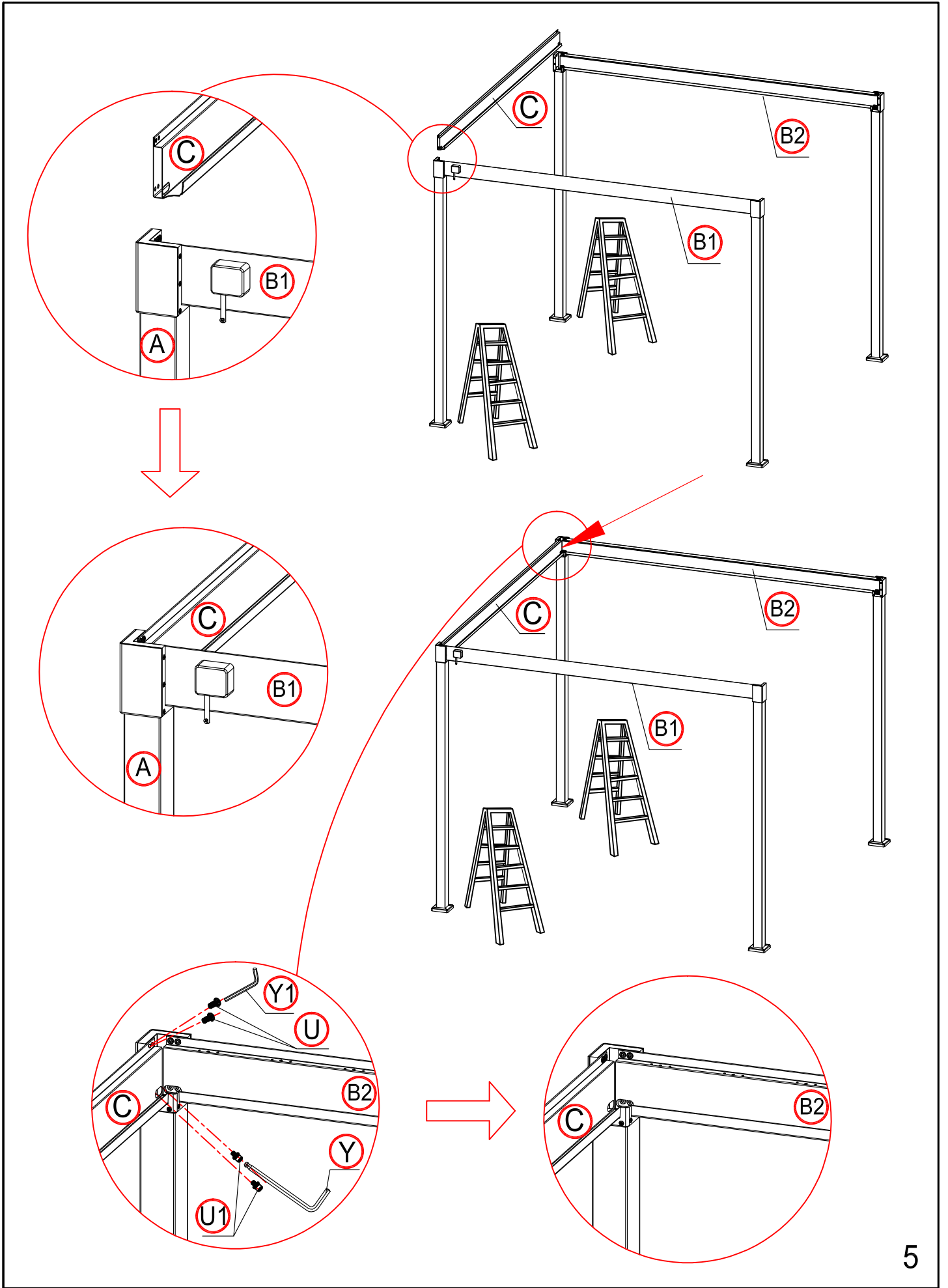
×4 times

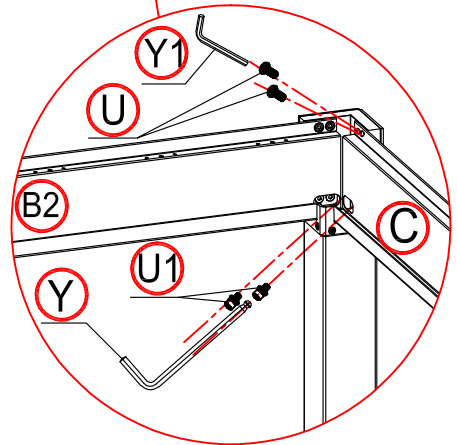
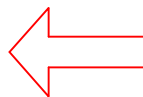
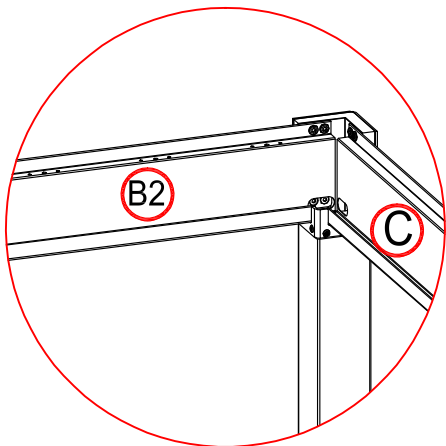
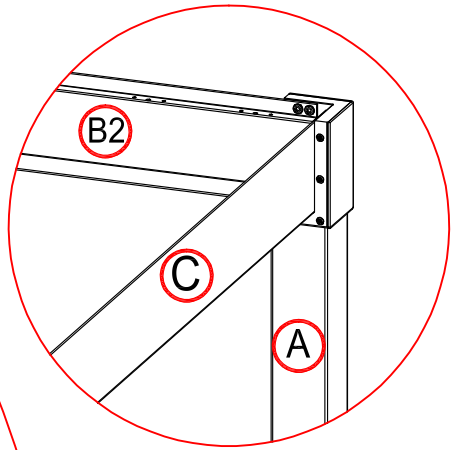
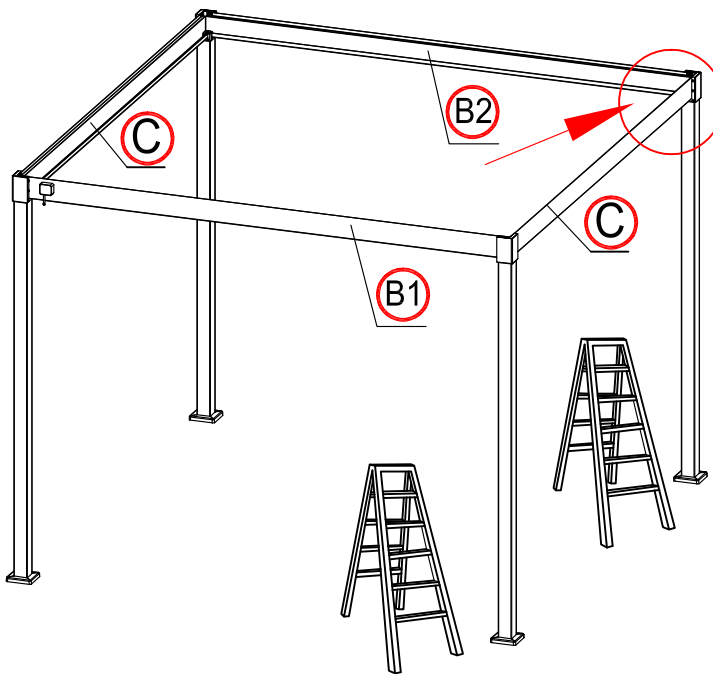
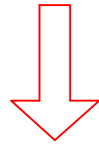
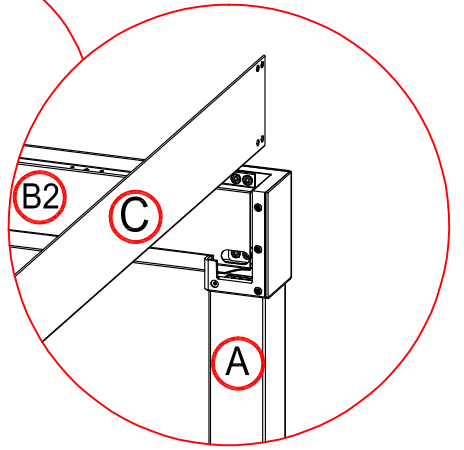
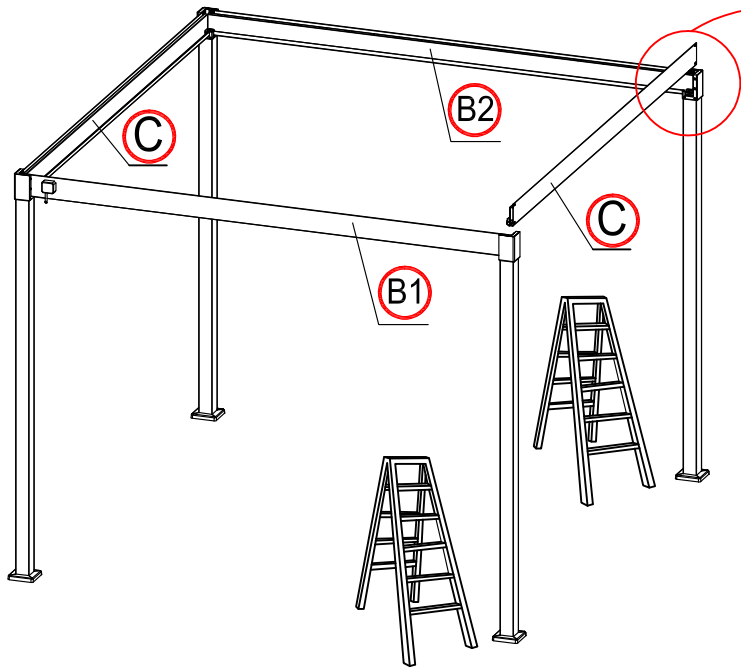


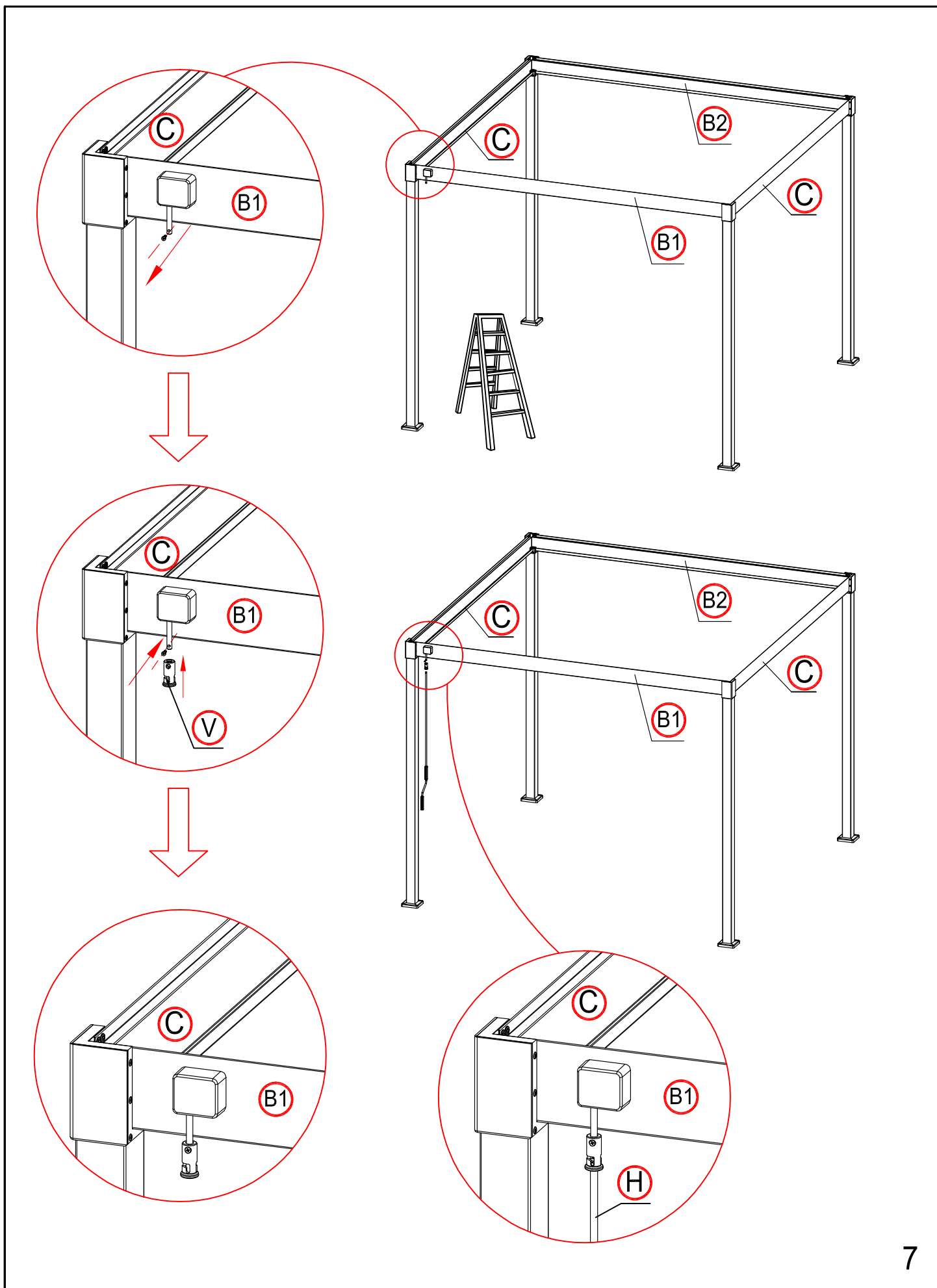
2





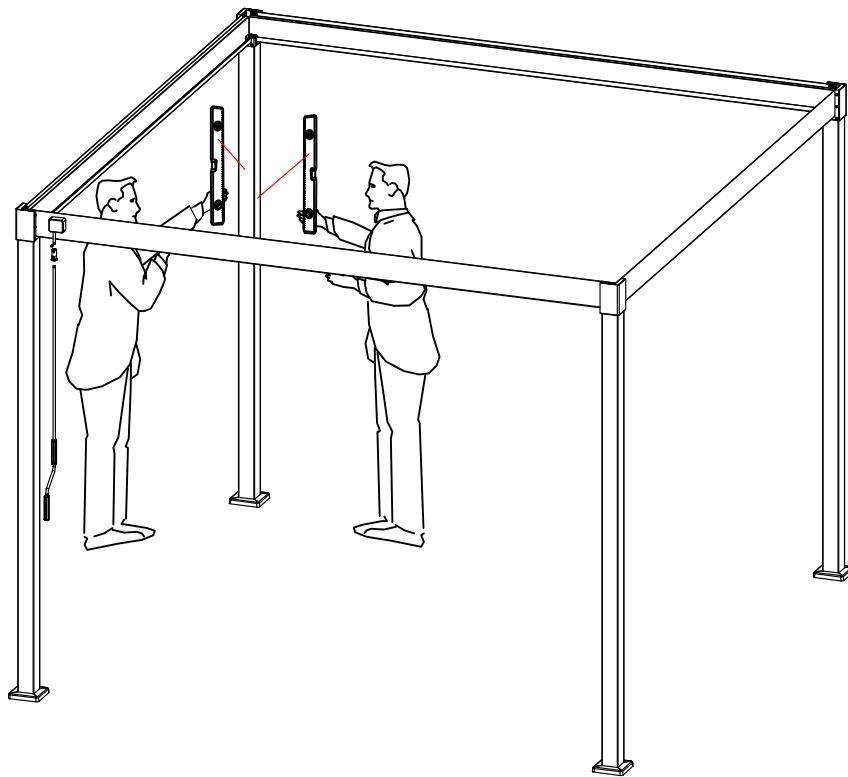






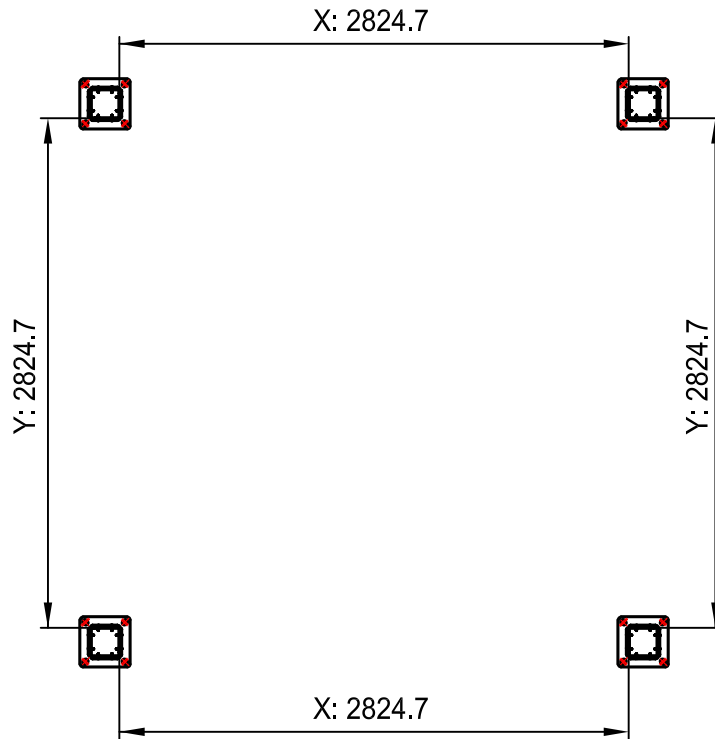
Frame adjustment

Now, you are almost done installing the main frame.
Please make sure all legs and beams are installed correctly.
You may have to unscrew certain bolts during the adjustment.

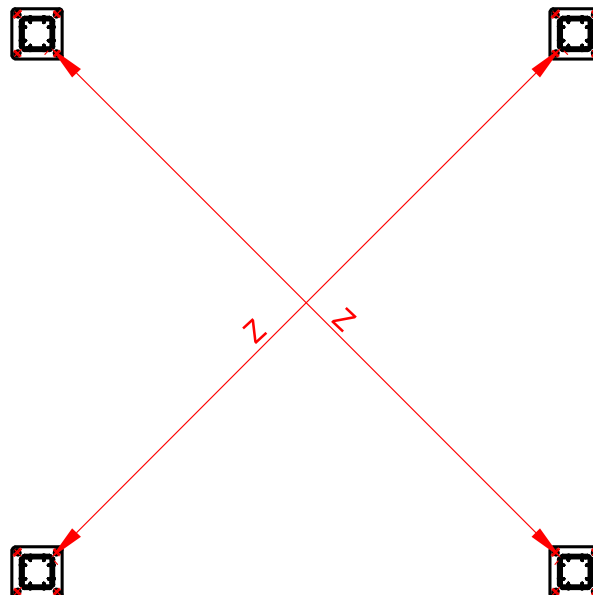


1. Pick a corner leg, which will be used to define the final placement of the pergola.
2. Put the level bar against both inner surfaces of the leg.
3. Adjust the leg until it reaches vertical position.
4. Make sure this leg stays in position during the following steps.

5. Measure the distances between adjacent legs.
6. Adjust other 3 legs accordingly until all distances are equal.
(Use the numbers in the following picture for reference.)



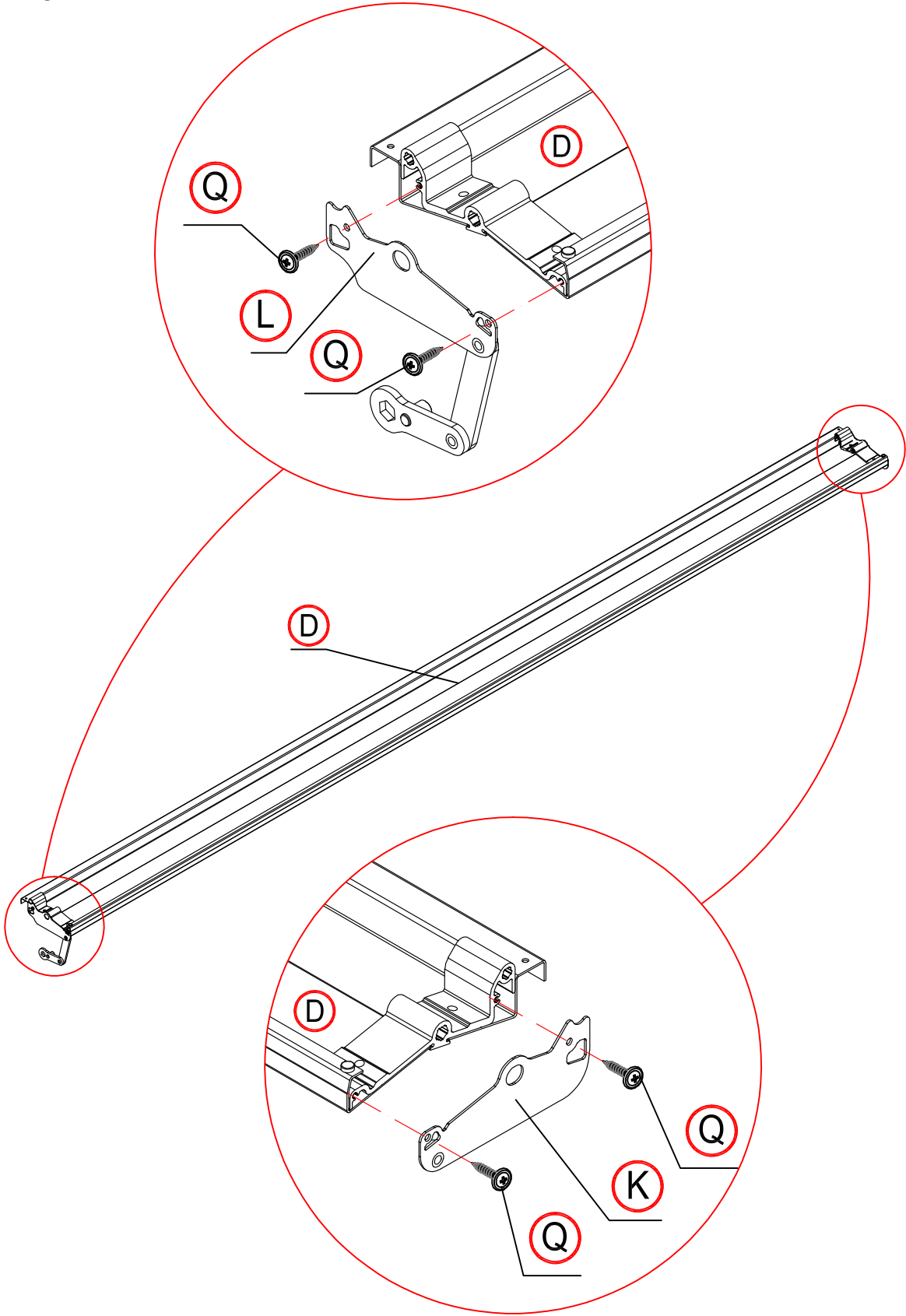
7. Measure the diagonal distances between opposite legs.
8. Adjust other 3 legs accordingly until both diagonal distances are equal. You may have to repeat step 5 and 6 after this step.

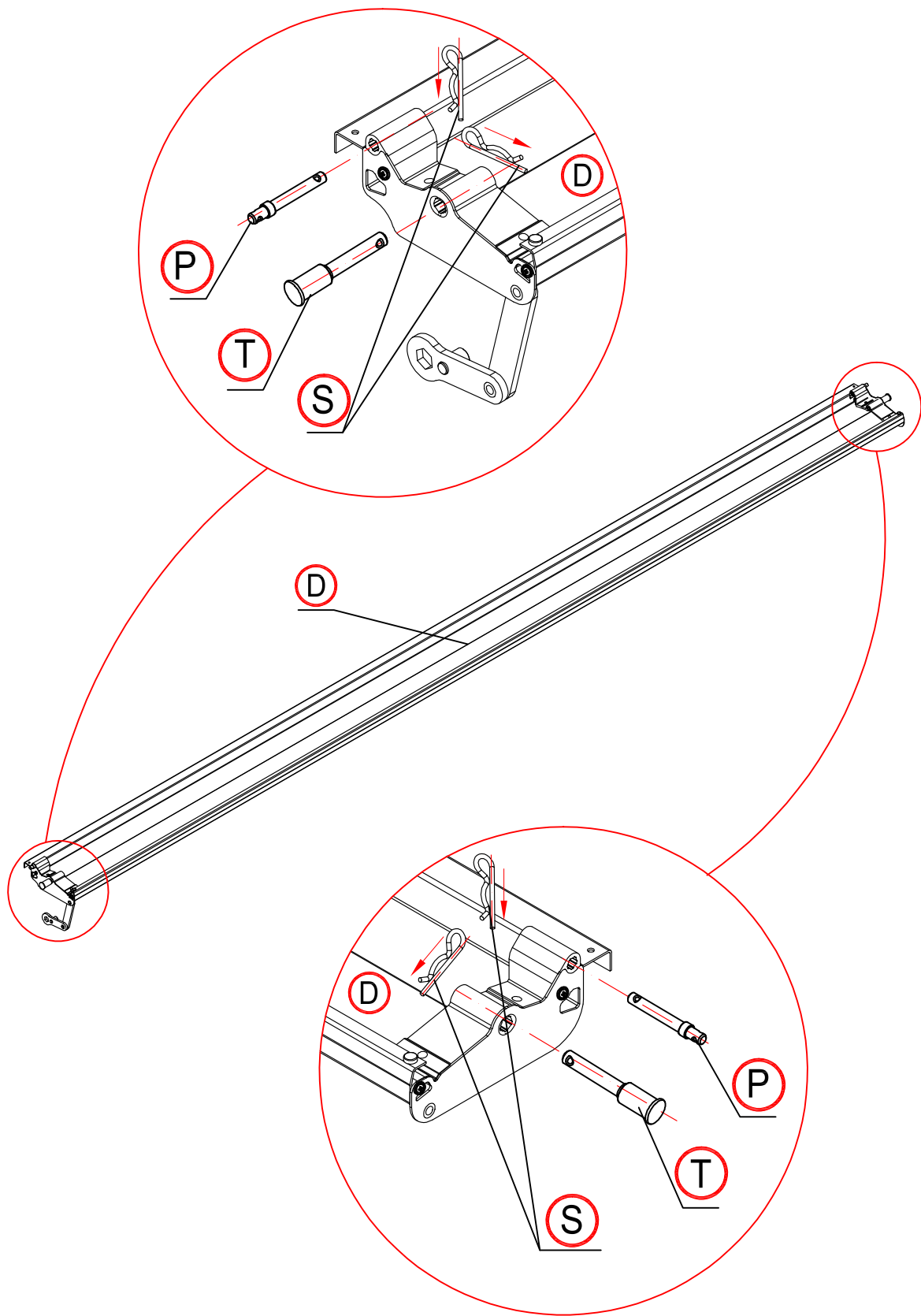


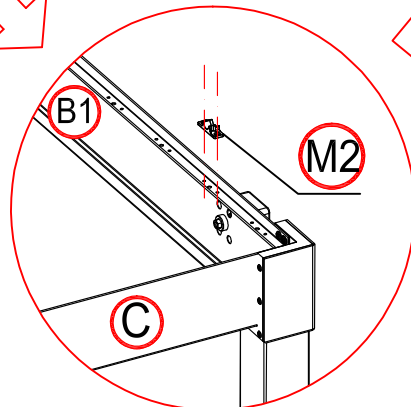
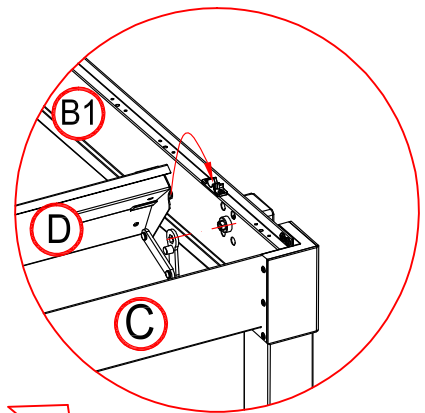
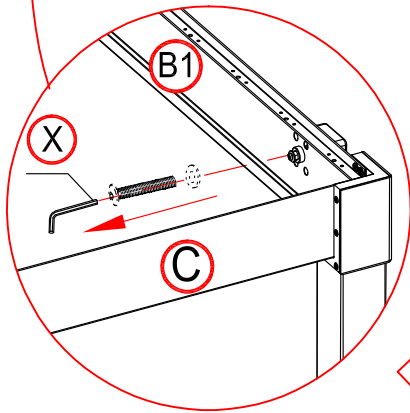
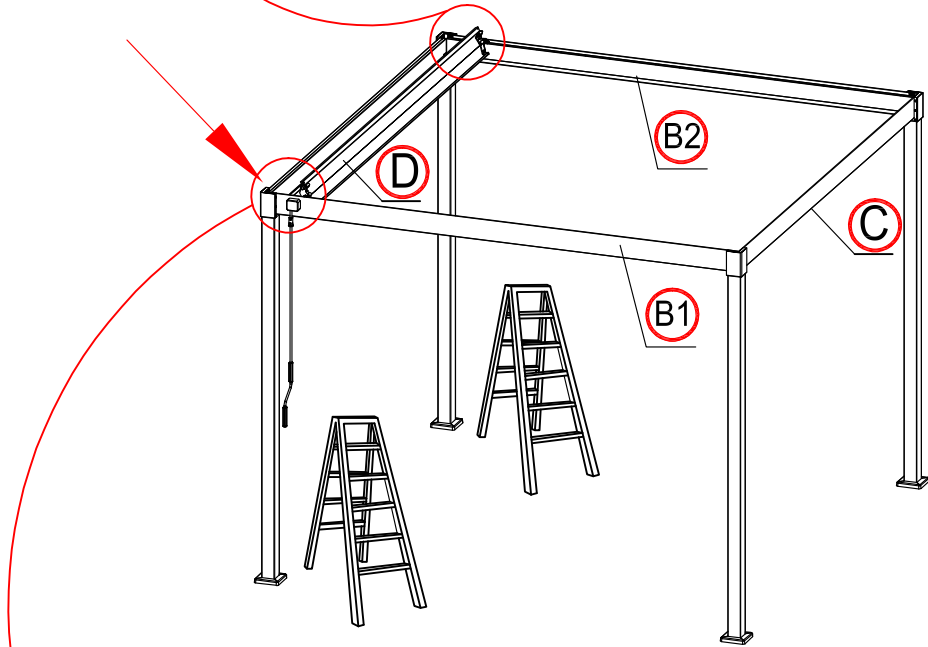
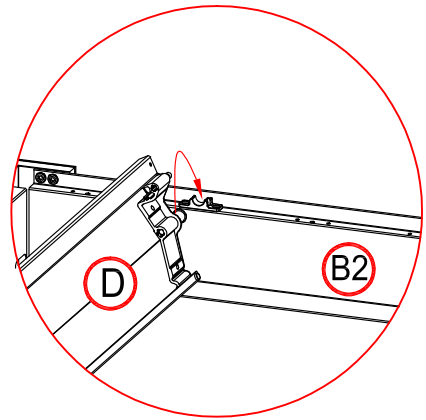
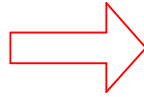
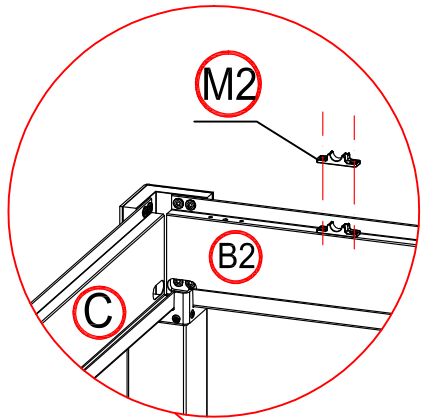
9. All leg distances are now verified.

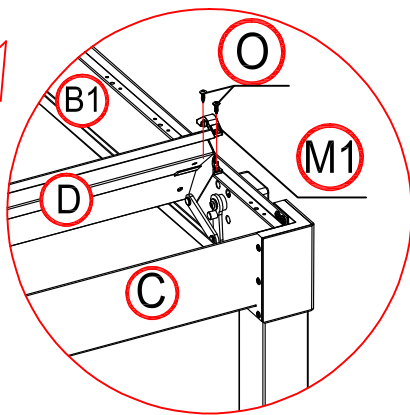
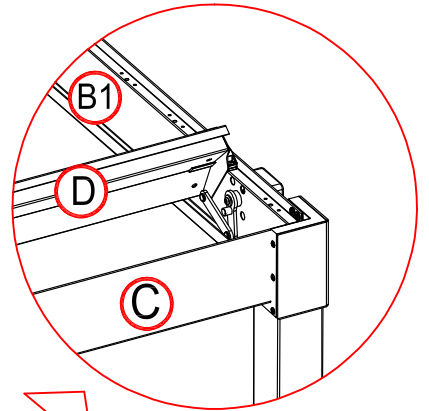
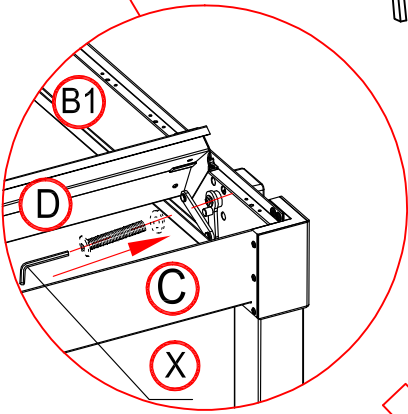
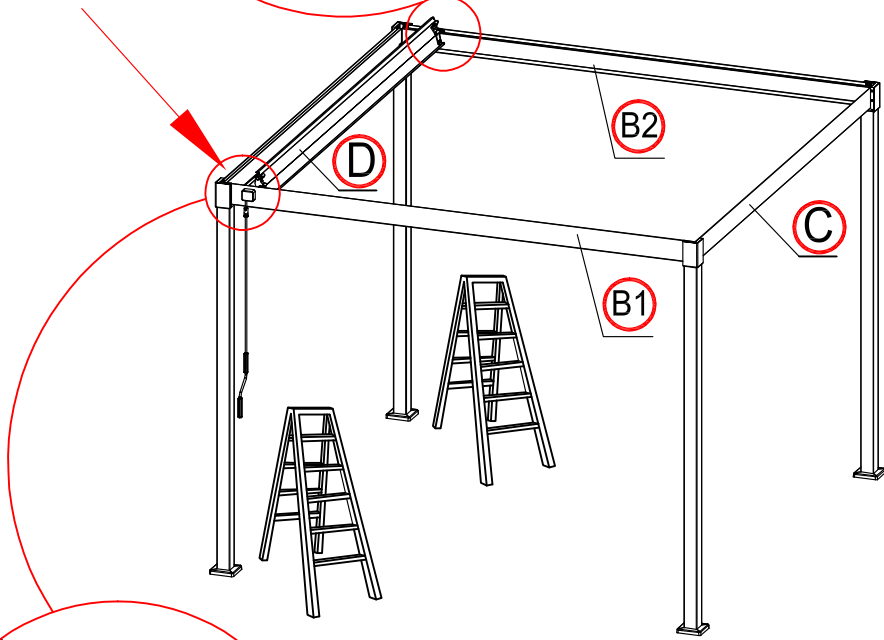
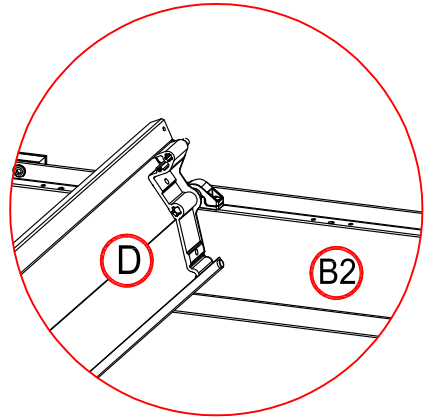
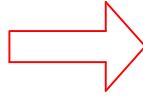
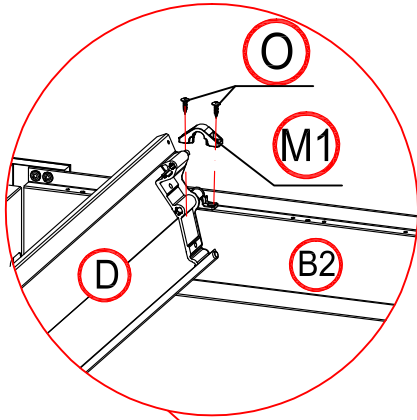
10. Take the level bar and check if all legs are vertical
11. Take the level bar and check if all beams are level
12. If any large deviation shows during step 10 and 11, then your ground may not be level. Please raise the pergola legs that are positioned lower than the others. Failure to adjust the pergola frame correctly could lead to issues (noise/warp/interference) when installing louvers and/or accessories later.
13. Now you have successfully finished the frame installation. Please proceed to louver installation.

×1 time

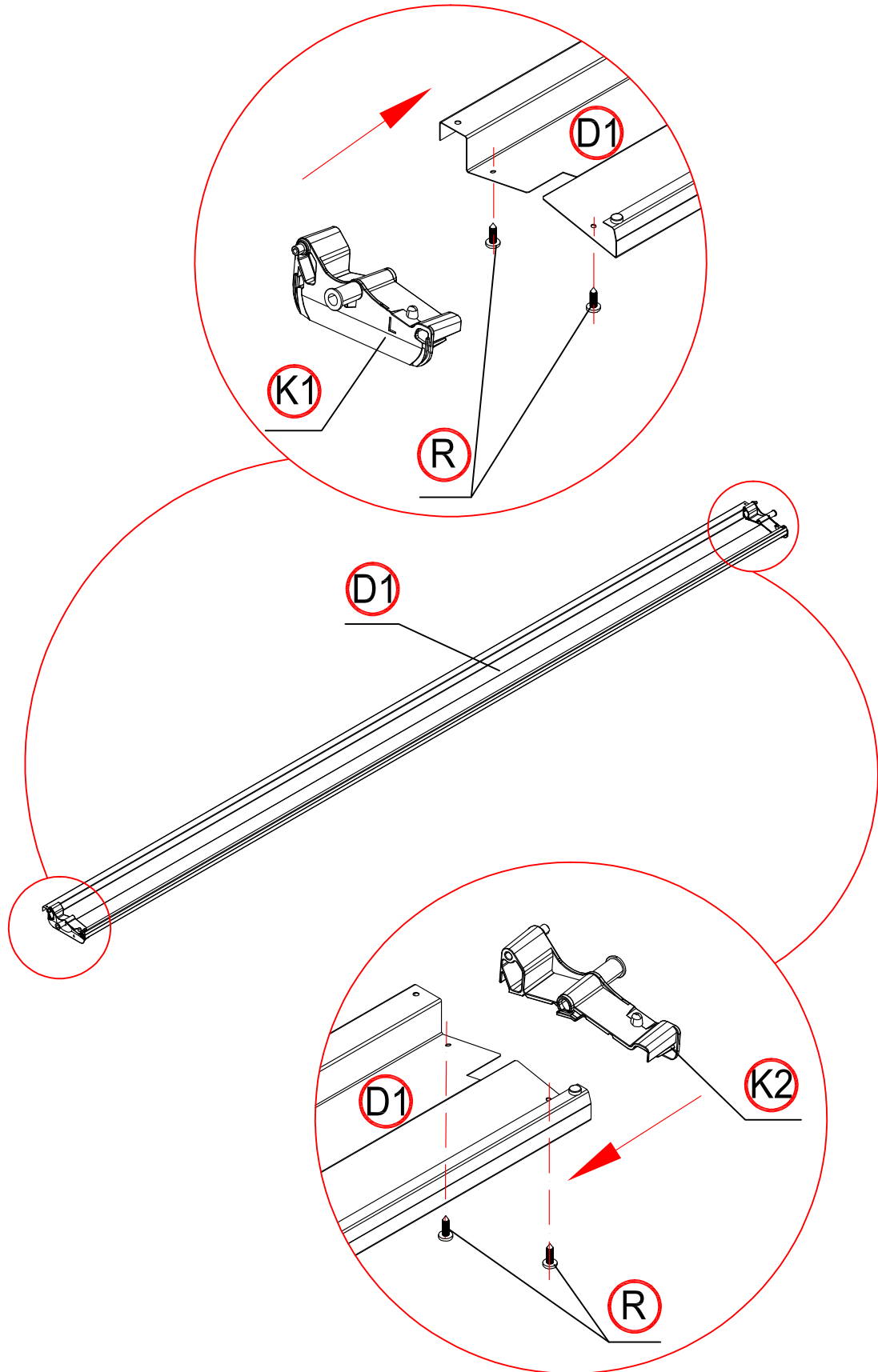


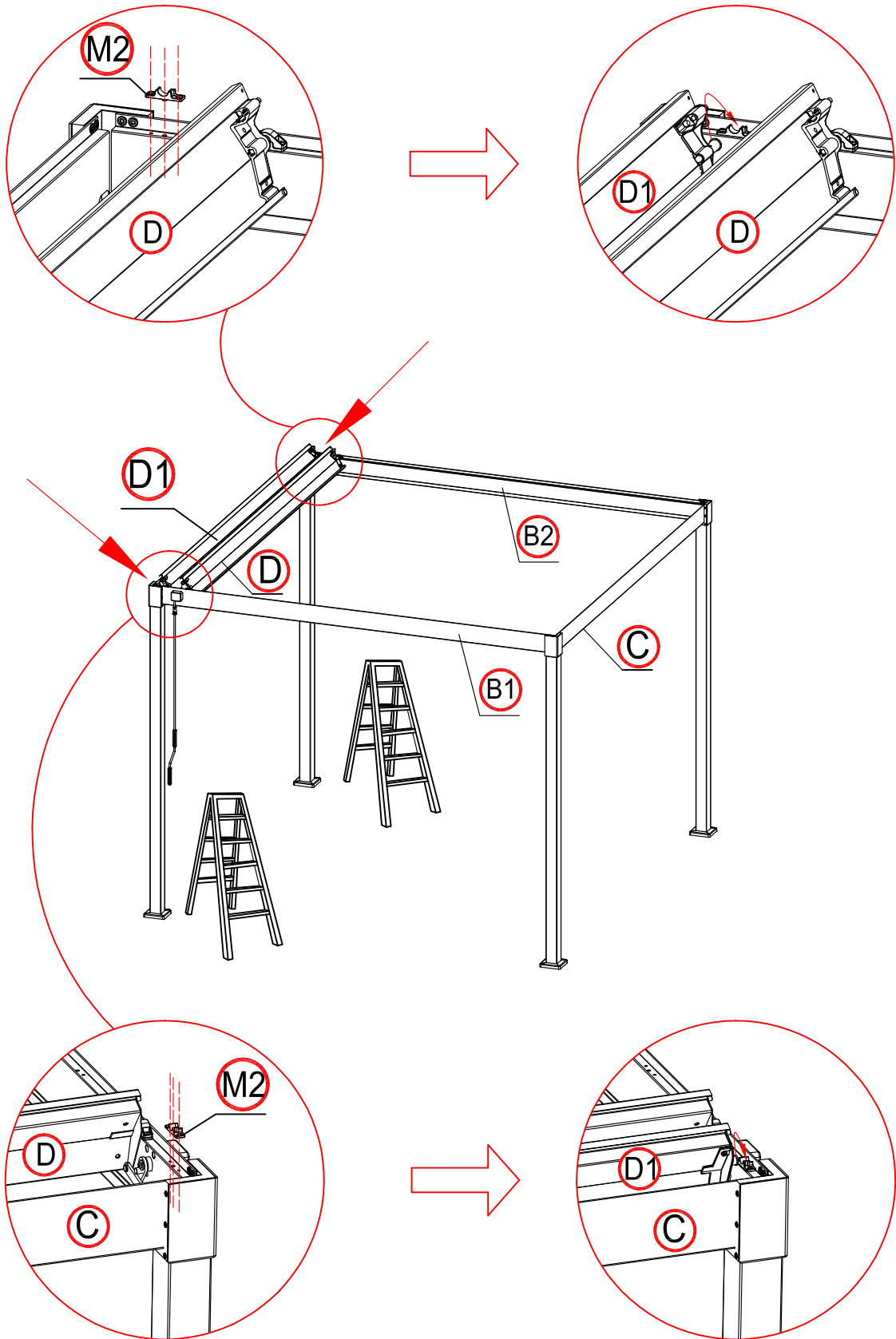


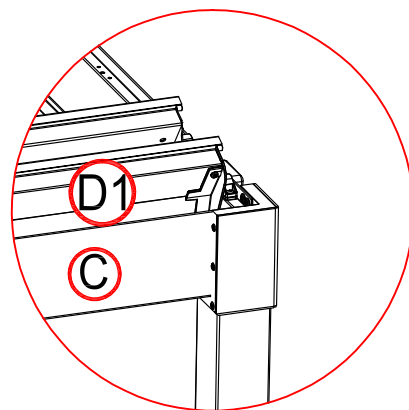
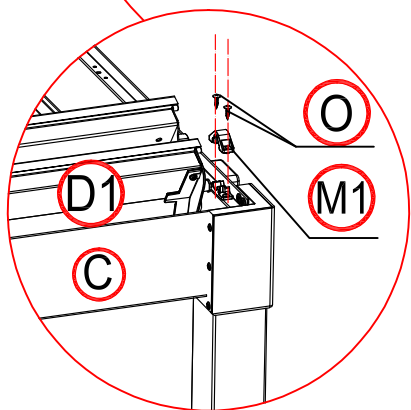
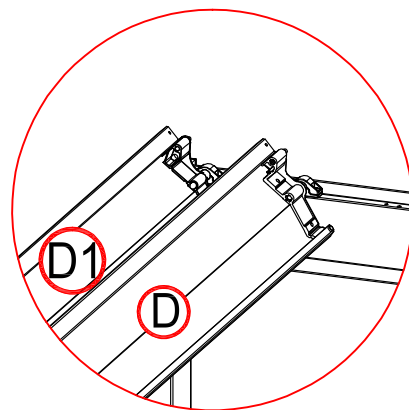
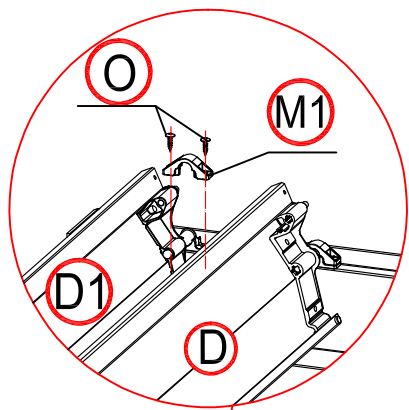
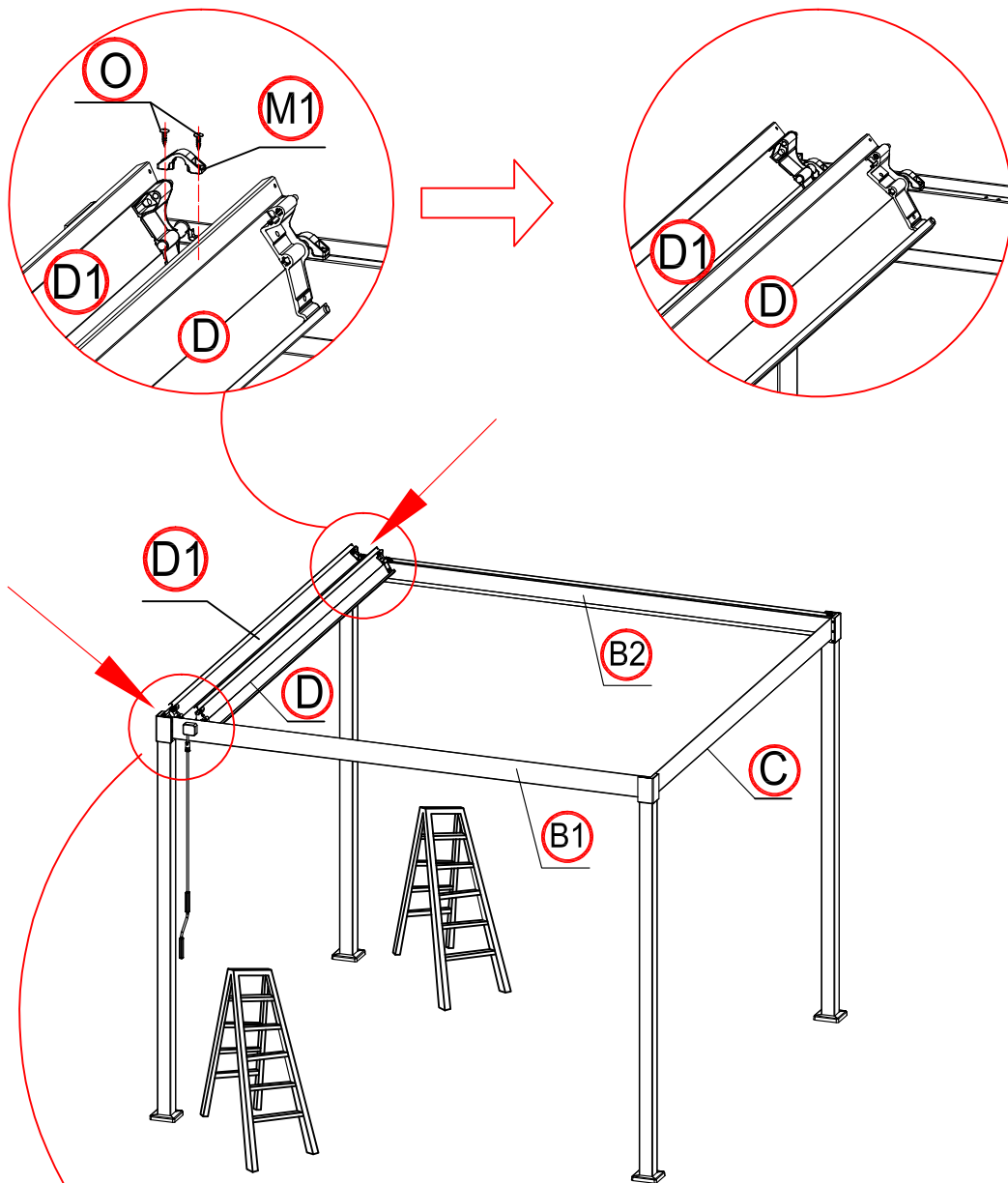




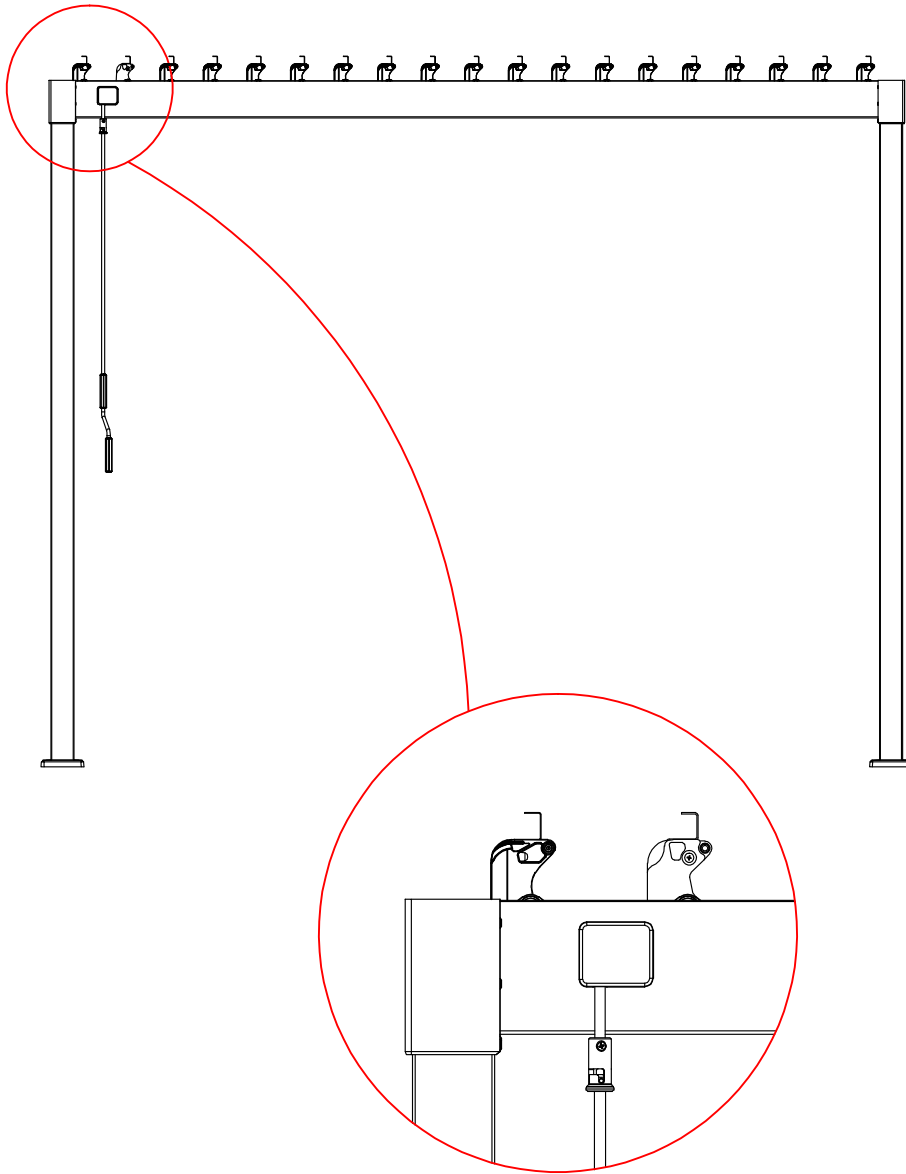
×18 times

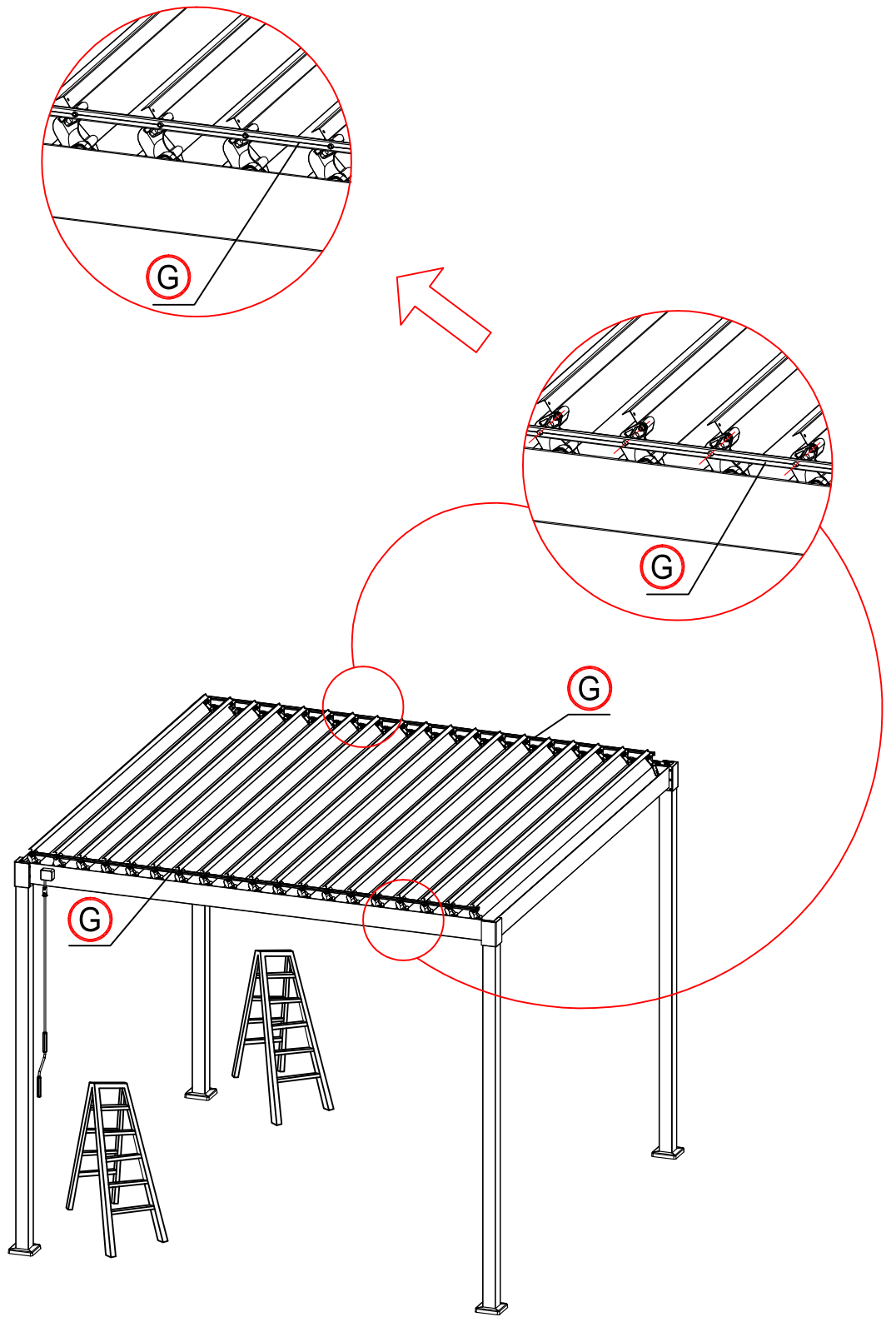


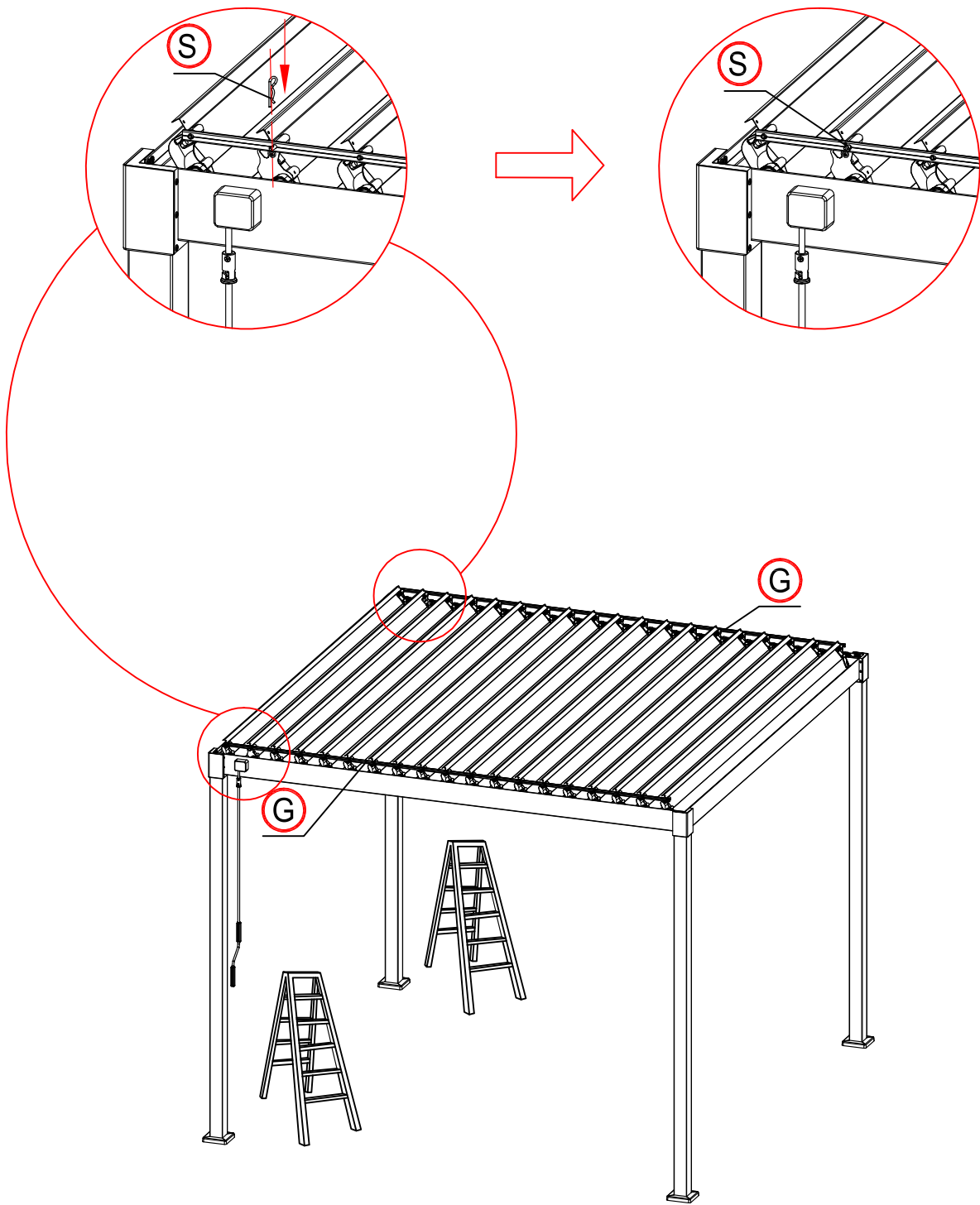


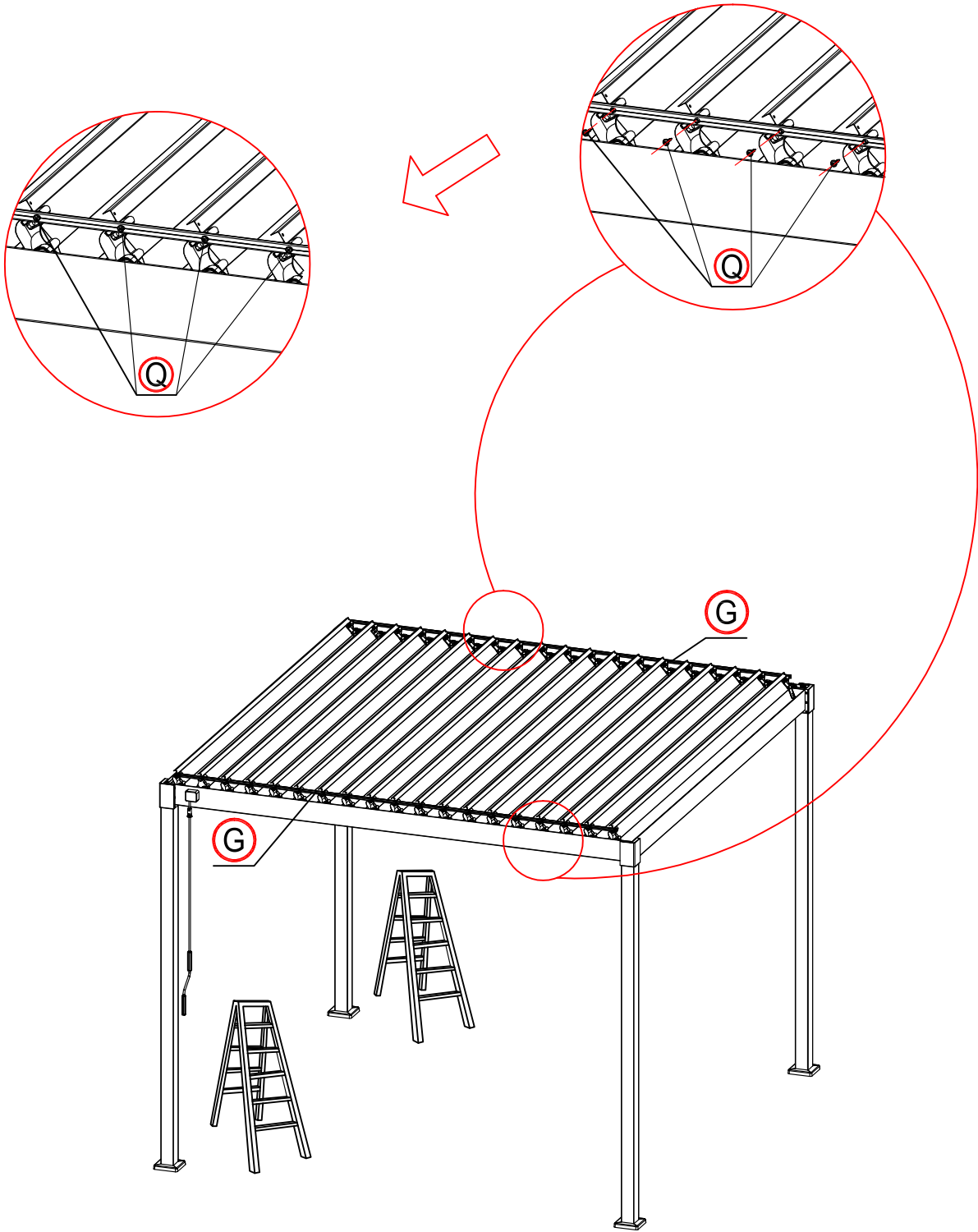


Make the shutter as vertical.









×4 times

A 12mm diameter SDS-plus hammer drill bit is included in the package.
You may have to use your own drill bit if it does not fit your drill.

