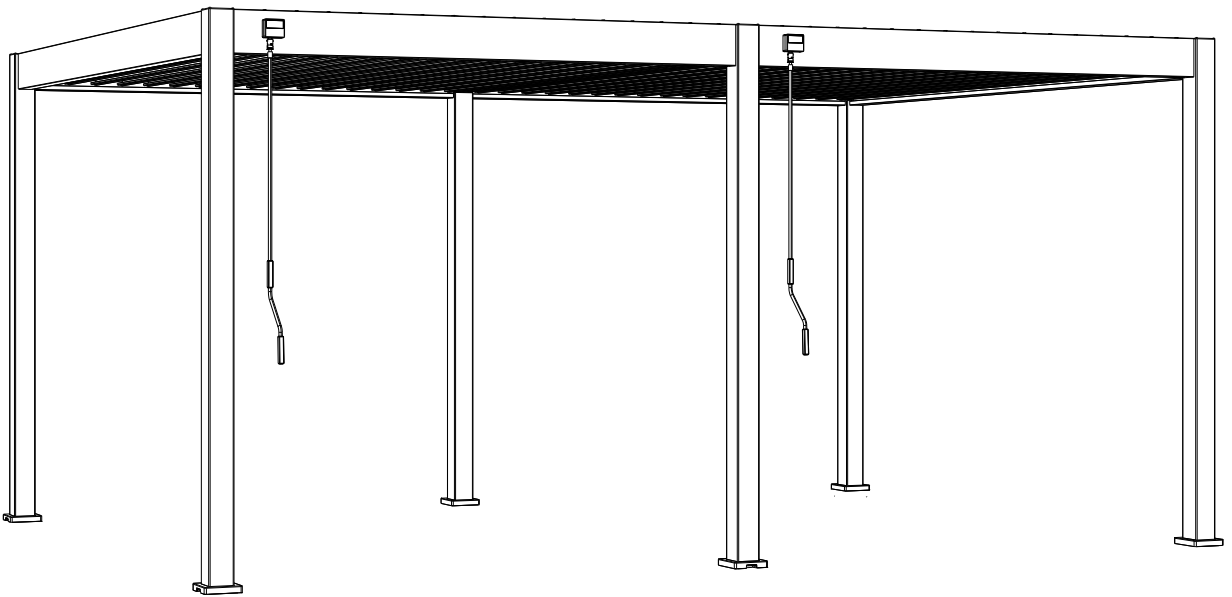


Prime Pro Manual PERGOLA 3.6×5.3m

Assembly Instructions



PA-PP2A-C3-3653-PPAA1



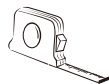
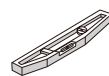
Outdoor
Living.ie

Prime Pro Manual

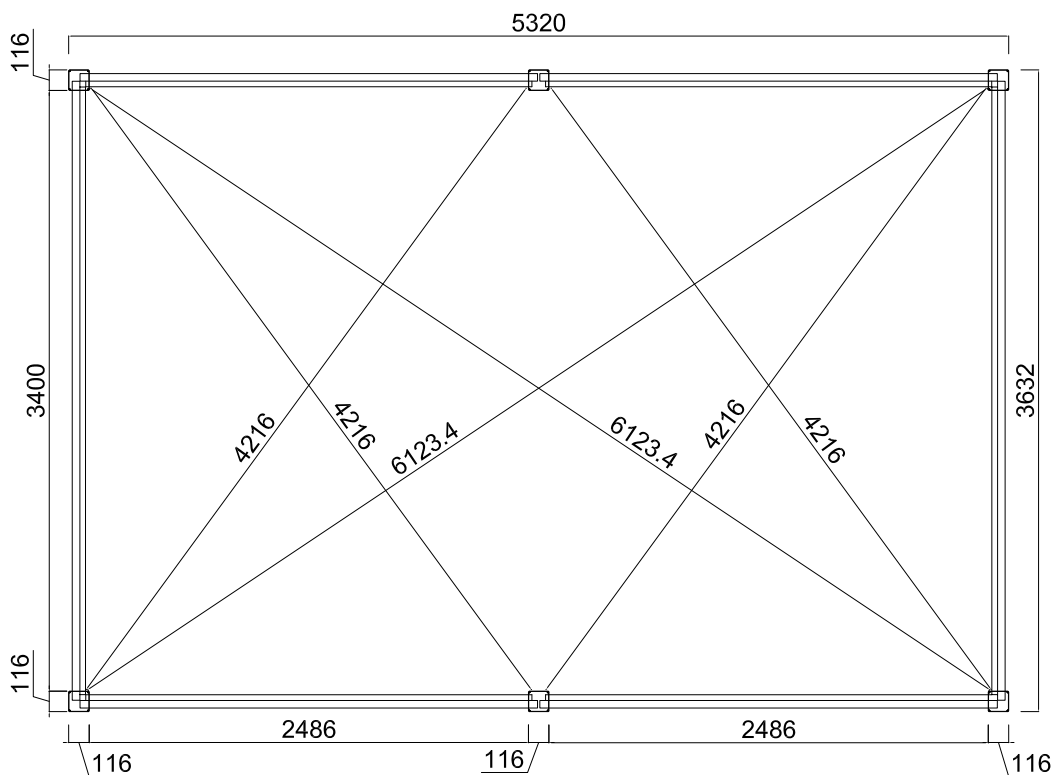
Aluminum Louvers Pergola 3.6×5.3m

These instructions have to be saved during the whole product life cycle. We advise you to read these very carefully before proceeding to the assembly. The user will be reliable for any damages or injuries caused due to incorrect or improper installation.

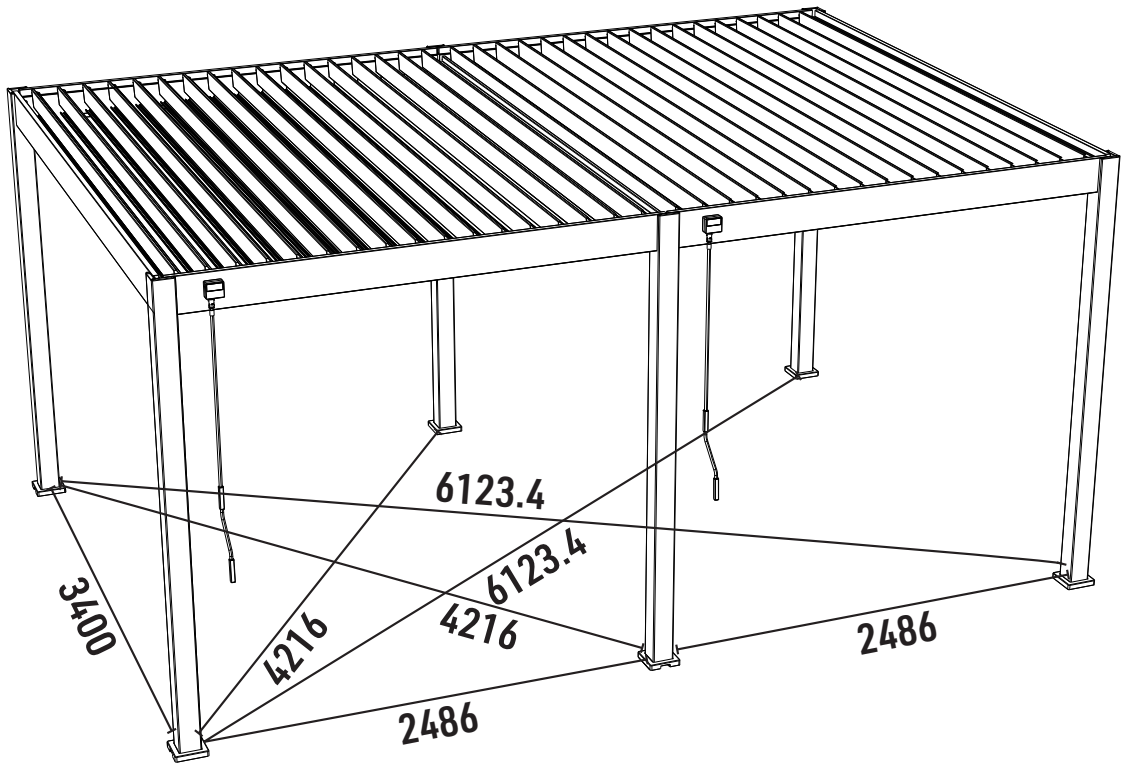
NECESSARY TOOLS AND SAFETY GEAR (NOT SUPPLIED)



2D FOOTING MEASUREMENT (dimensions in mm)



3D FOOTING MEASUREMENT (dimensions in mm)



PRECAUTION OF USE

This product should not be used in extreme weather: storms, violent winds, hail, and snow. We guarantee the resistance of the pergola for winds up to 100 km/h and a maximum snow weight of 50kg/m².

As in the case of strong winds or snow, we highly recommend leaving the louvers open. To maintain good working conditions of your louvers, please clear any snow on them.

Our pergola can withstand heavy rain, but we cannot guarantee it will be 100% waterproof due to some extreme weather conditions.

Exceptional climatic events may compromise the perfect sealing of the product.

To avoid any damages and injuries, we do not recommend climbing on the roof or the structure of the pergola.

TIPS AND SAFETY INSTRUCTIONS

Depending on the location and surface area, construction may be subject to building permits. Make sure you have checked with your local authorities to obtain the needed information before the assembly.

Product assembly :

- At least 2/3 people required
- Remove protective film (around 1 hour needed)
- Do not keep children near the assembly area
- Beware of the risk of pinching
- Do not tighten the screws before assembling the whole product
- All assembly steps must be carefully followed
- Check the level of the structure on all sides
- Do not anchor the pergola before assembling the whole product

No changes can be made to the product. Products tampered with by the user are not covered by the warranty, thus being declared as void.

The location should be chosen carefully. It is recommended to avoid mounting your pergola on a rainy day, facing the prevailing winds, and under an overhanging tree.

The pergola must be mounted on a flat-level foundation. It is recommended to install it on a concrete slab or 25x25 cm concrete pads at each post. Please, anchor the pergola properly to the ground using expansion screw.

If you would like to mount your pergola near your house or a building, please check the presence of gutters for water drainage.

Should these instructions not be followed or only partially, the warranty will be voided by the seller.

MAINTENANCE

Regular maintenance is necessary to ensure its longevity and aesthetic appearance.

We recommend to :

- Clean your pergola once or twice a year with fresh water using a sponge or cloth.
- Do not use detergent or an abrasive material.
- Check the tightness of the screws regularly (at least once a year).
- Oil fastening regularly (at least once a year).
- Make sure that nothing hinders the water flow in the gutters (leaves, branches...).
- Remove any water that might stagnate around the legs of the pergola (lift the posts skirts).

MAINTENANCE

This warranty does not cover :

- Normal wear and tear inherent from the products.
- Loss or breakage of any part during unpacking or installation.
- Lack of care, neglect, vandalism, impact with foreign body, force, contact with a brasives material, product aesthetics, disassembly, rebuilding or relocation.
- Force majeure: hail, high winds, storms, snow, floods, lightning etc...
- Product tampered with by the user.

The warranty only takes in account the replacement of spare parts or the provided product, no refund will be issued.

All warranty claims must be made at the sales outlet (store or website) where the product has been purchased.

PARTS LISTS (PER CARTON)



Before proceeding with the assembly of your louvered pergola, it is necessary to check that all parts listed are supplied and not damaged.



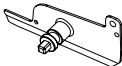
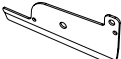
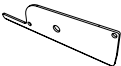


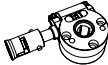



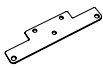


Any missing part must be reported within 10 days of delivery.





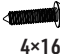













You can either go through your local outlet store or make the request directly on our website.



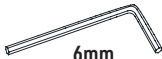

Do not discard the packaging without ensuring that the product is functioning properly.


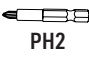
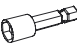
CARTON 1/6 (POSTS AND LOOSE PARTS)

Reference	Parts	Quantity
A0		4
A0-1		2




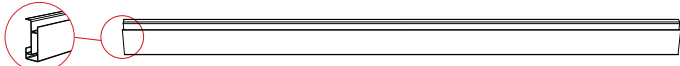


Reference	Parts	Quantity
I0		6
J0		6
K0		2
L0		32
L0-1		34
M0		66
M0-1		66
N0		2
O0		2
P0		2
Q0		24
E0-1		2
R0		24
S0		68

Reference	Parts	Quantity	
T0	 10x80	24	
U0	 lock nut	100	
U0-1	 plastic nut	34	
V0		168	
W0	 4x16	 PH2	136
W0-1	 5x19	 5mm	6
X0	 6x40	 4mm	66
X0-1	 6x35	 4mm	24
X0-2	 6x20	 4mm	34
X0-3	 6x16	 4mm	4
Y0	 6x45	 4mm	6

Reference	Parts	Quantity
ZO-1	 4mm	1
ZO-2	 4mm	1
ZO-3	 6mm	1
ZO-4	 6mm	1

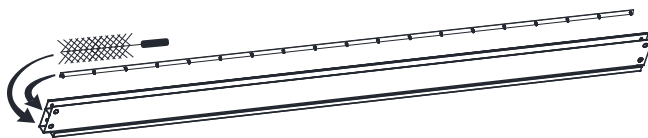
Reference	Parts	Quantity
ZO-5	 10mm	1
ZO-6	 PH2	1
ZO-7		1

CARTON 2/6 (BEAMS)


Reference	Parts	Quantity
BO		2
BO-1		2
CO		2
EO		1
FO		2
HO		2




Connecting Bar (FO) & Brush Inside!




CARTON 3/6 (LOUVERS)

Reference	Parts	Quantity
GO		9


CARTON 4/6(LOUVERS)

Reference	Parts	Quantity
GO		9

CARTON 5/6(LOUVERS)

Reference	Parts	Quantity
GO		9

CARTON 6/6(LOUVERS)

Reference	Parts	Quantity
GO		7

ASSEMBLY GUIDELINES

Step 1 :Frame

Connect posts and beams accordingly, so that complete the Installation of the main frame of pergola.

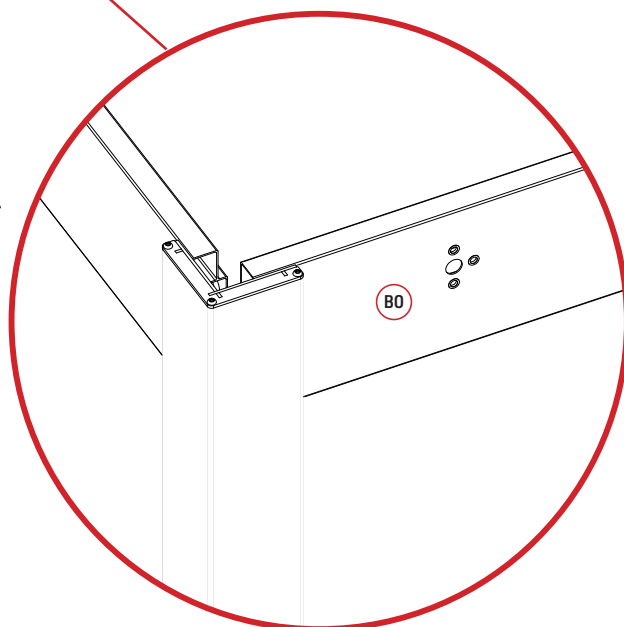
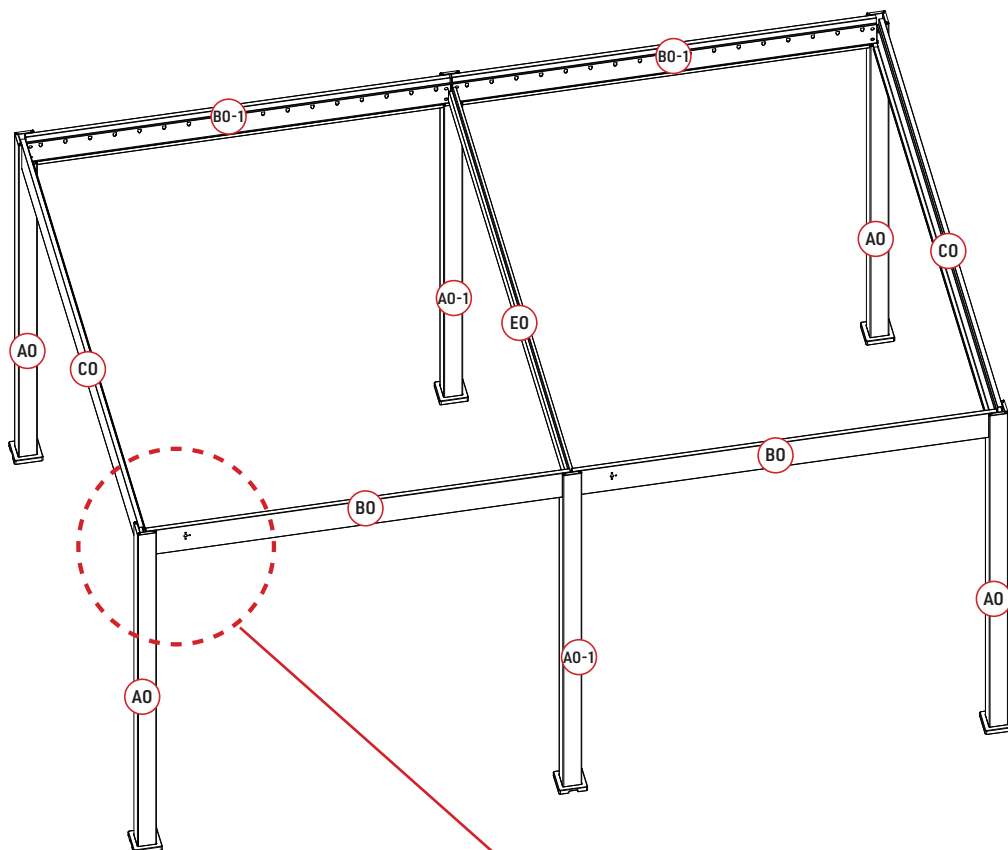
Step 2:Louvers

Assemble the louvre caps, then assemble the MAIN louvre and other louvers.

Step 3:Connector

Connect louvres by using relevant connectors.





Step 1 :Frame

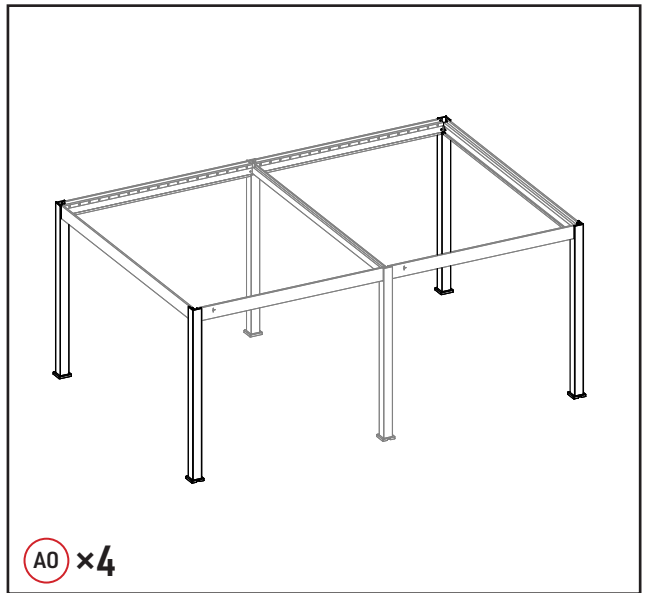


Step 1 :Frame

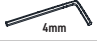

1-1

Parts

A0		4
IO		4
JO		4
X0-1		16



Tools

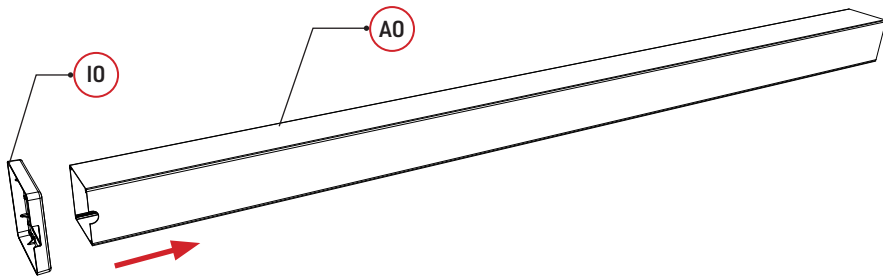
Z0-1		1
Z0-2		1



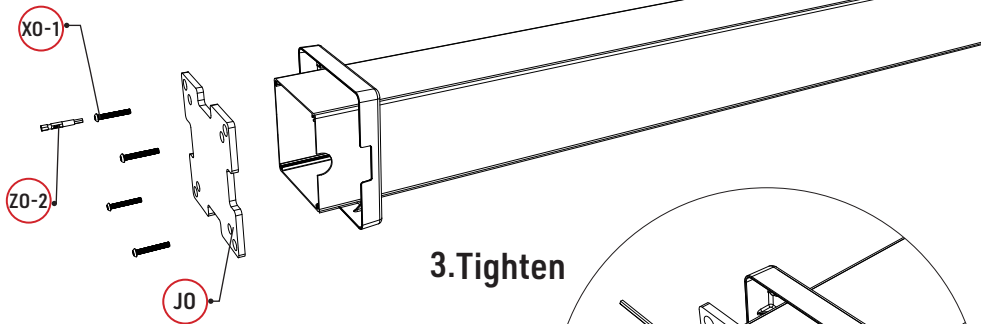
A0 x4

Post installation diagram

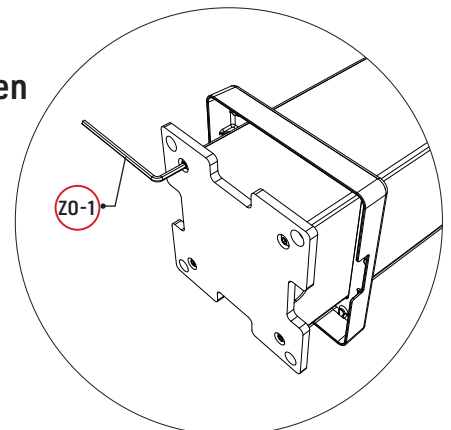
1.



2.







3. Tighten




Step 1 :Frame

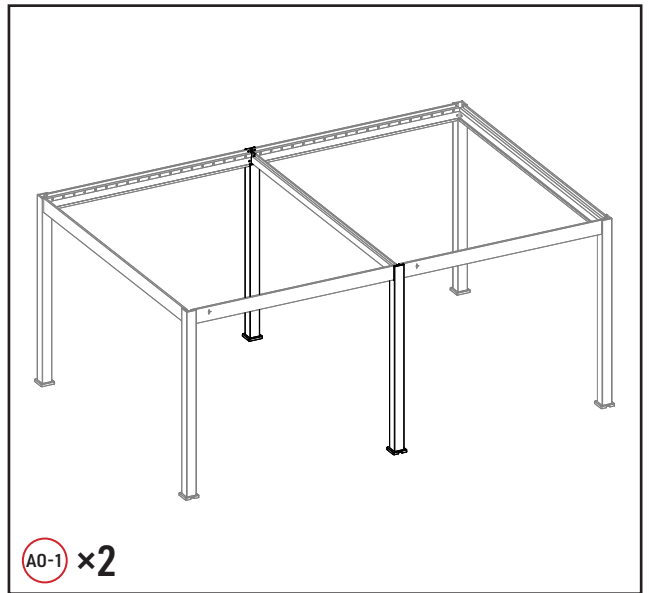
1-2

Parts

A0-1		2
I0		2
J0		2
X0-1		8

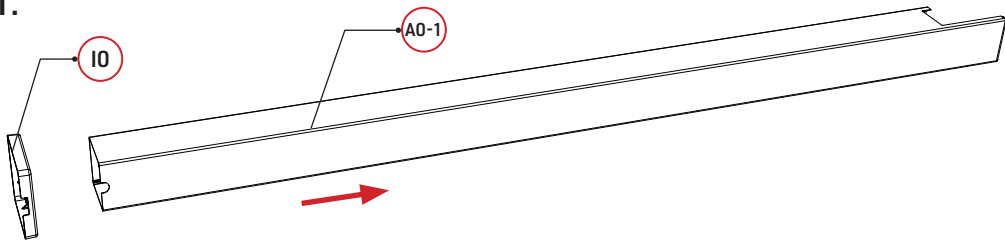
Tools

Z0-1		1
Z0-2		1

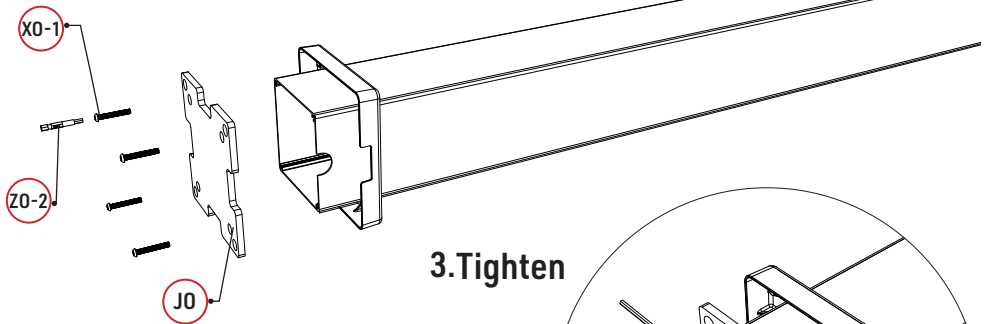


Post installation diagram

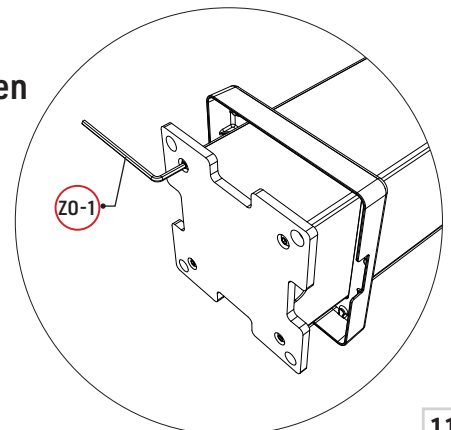
1.



2.



3. Tighten



Step 1 :Frame

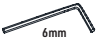

1-3

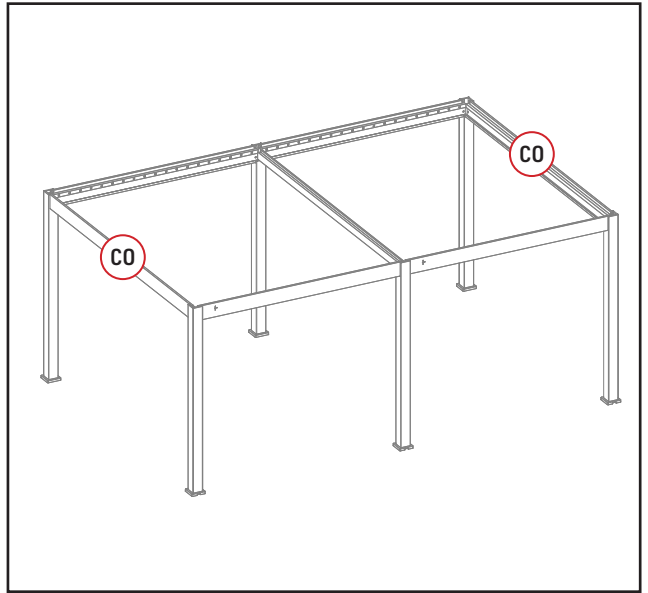
Parts

CO		2
----	---	---

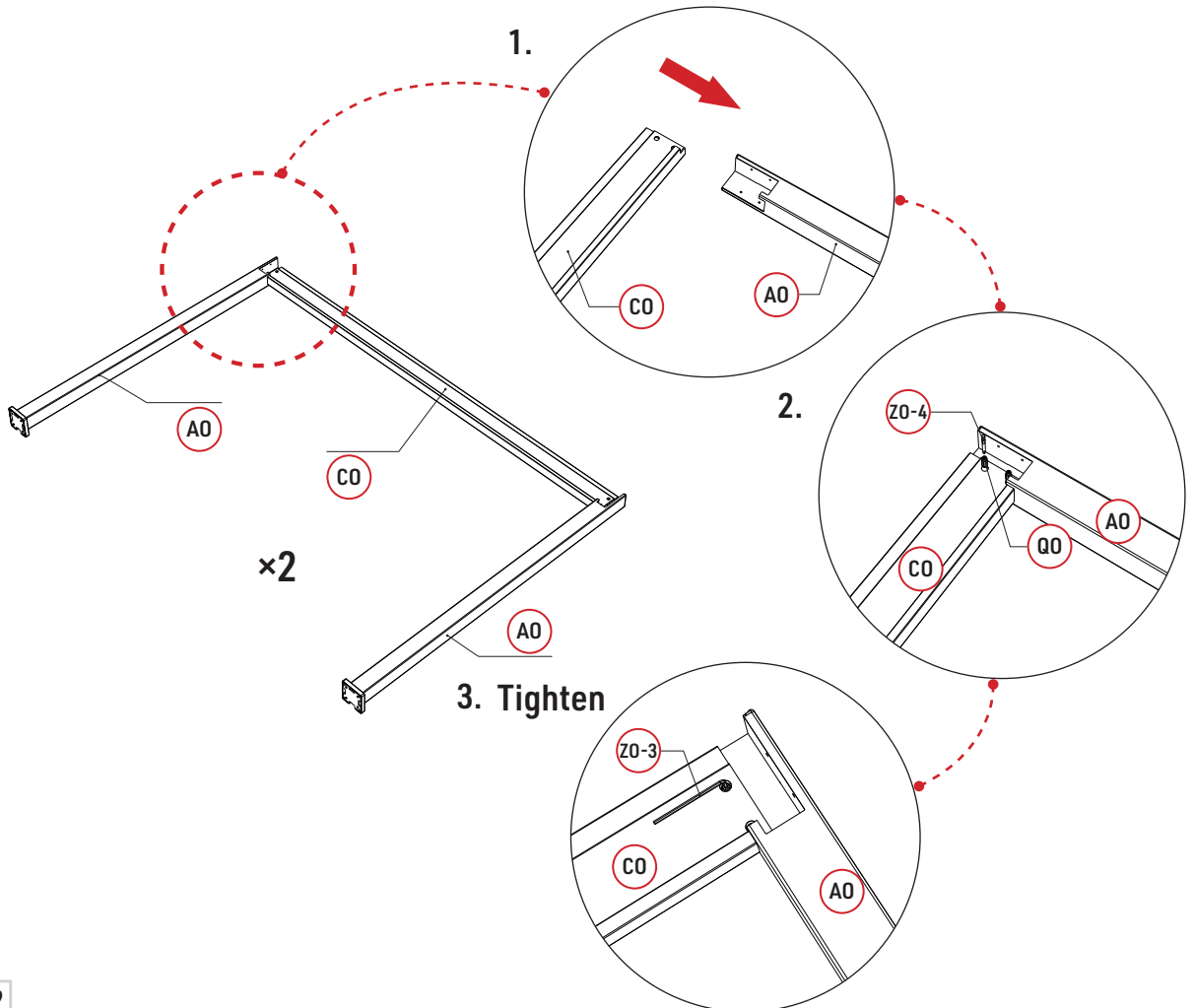
QO		8
----	---	---

Tools

ZO-3		1
ZO-4		1





Connect beams to columns



Step 1 :Frame



1-4

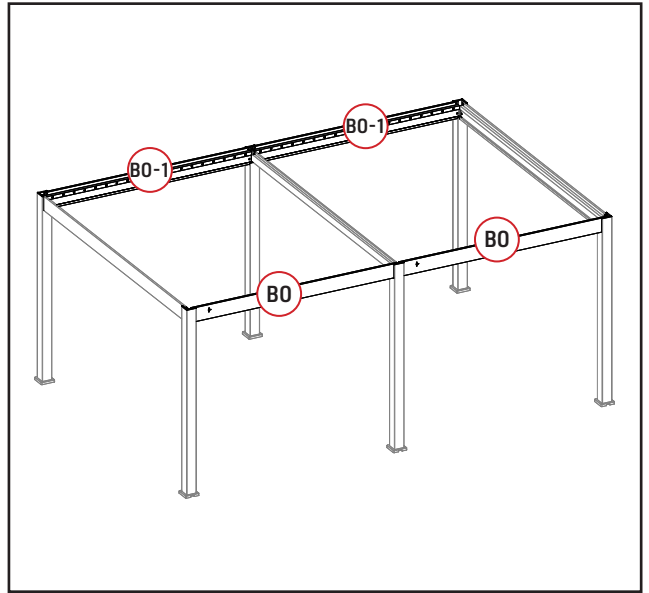
Parts

B0		2
B0-1		2

Q0		16
----	---	----

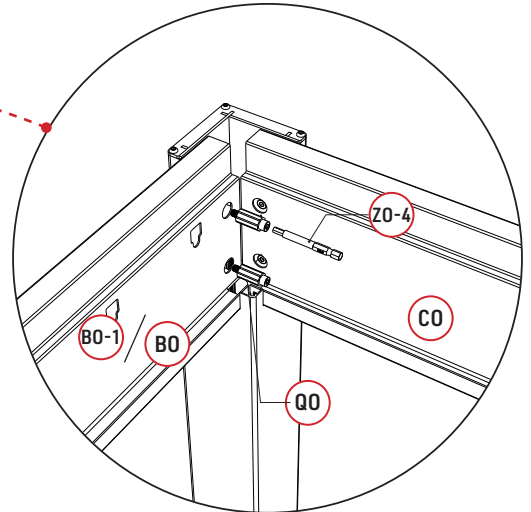
Tools

Z0-3		1
Z0-4		1

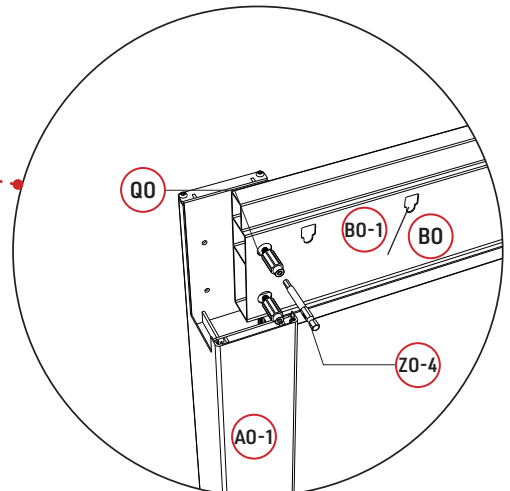


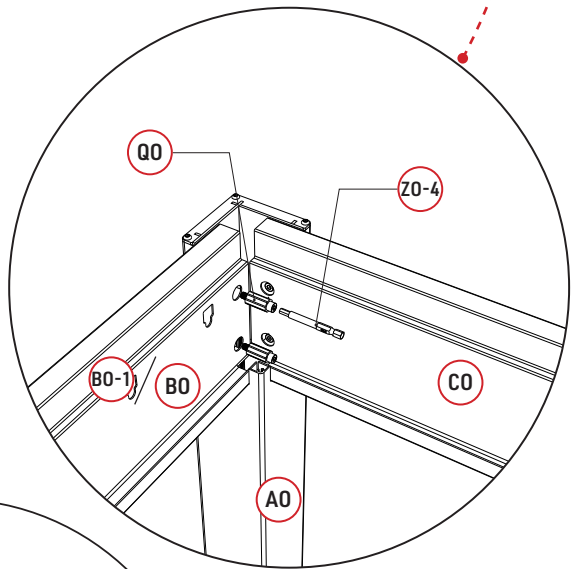
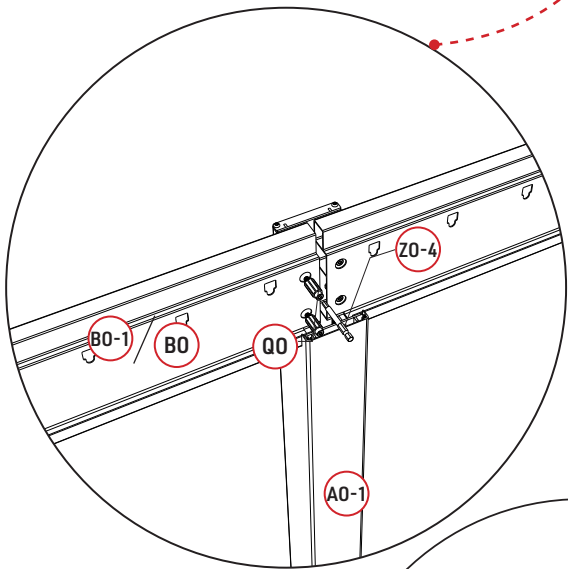
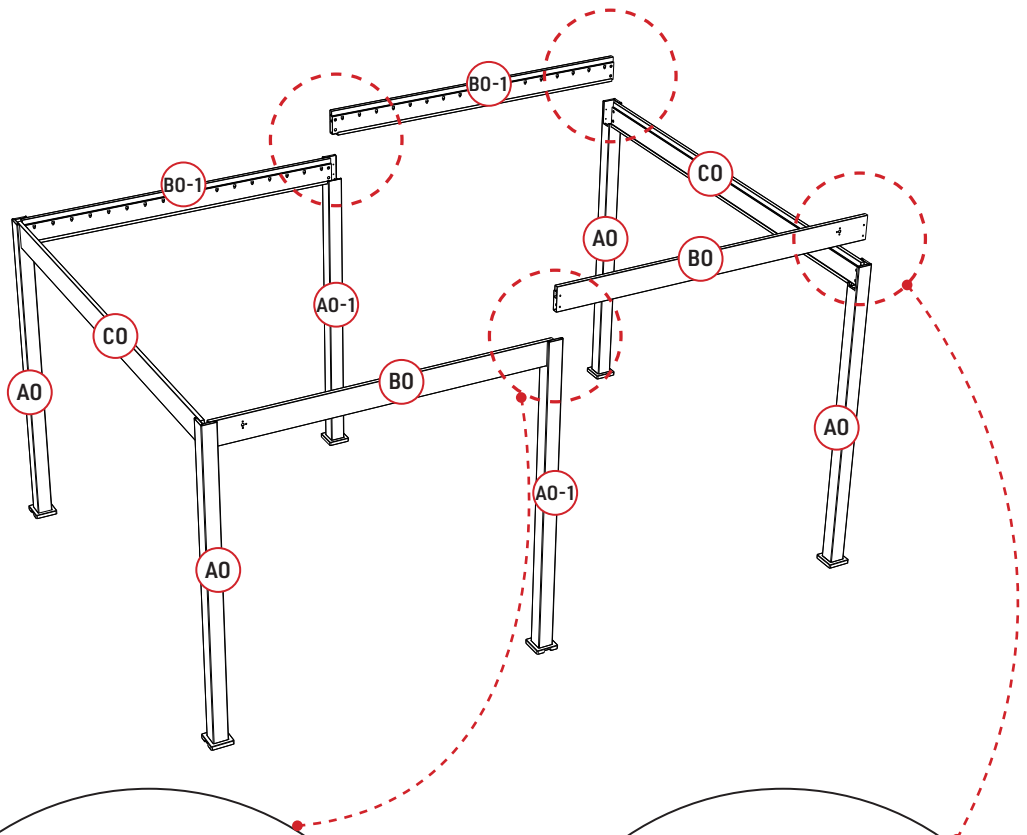
Connect beams to columns

1.

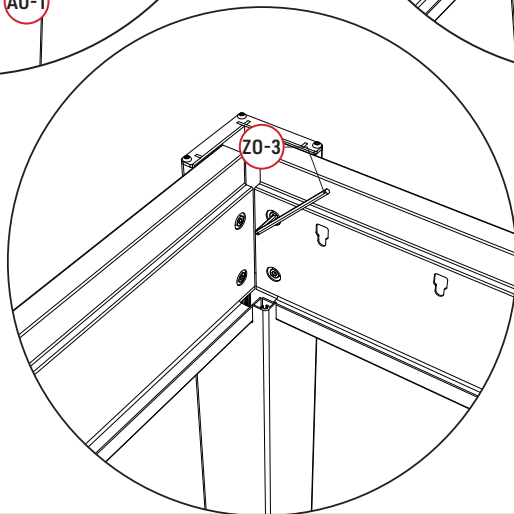


2.









Tighten



Step1 :Frame

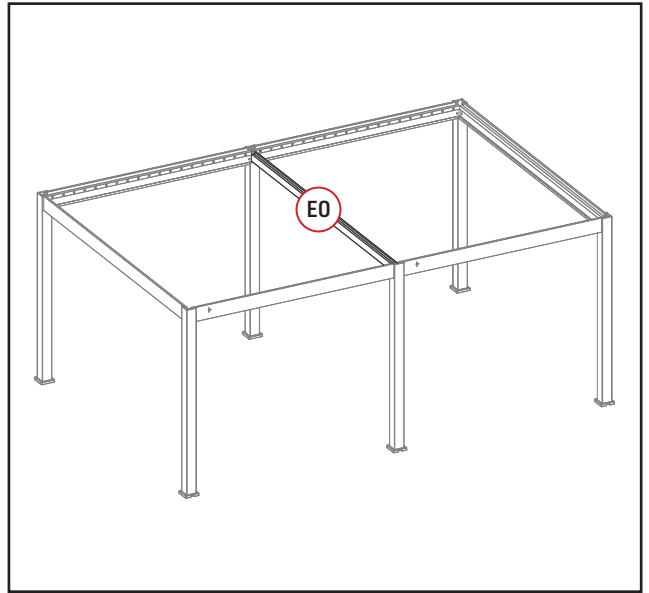
1-5

Parts

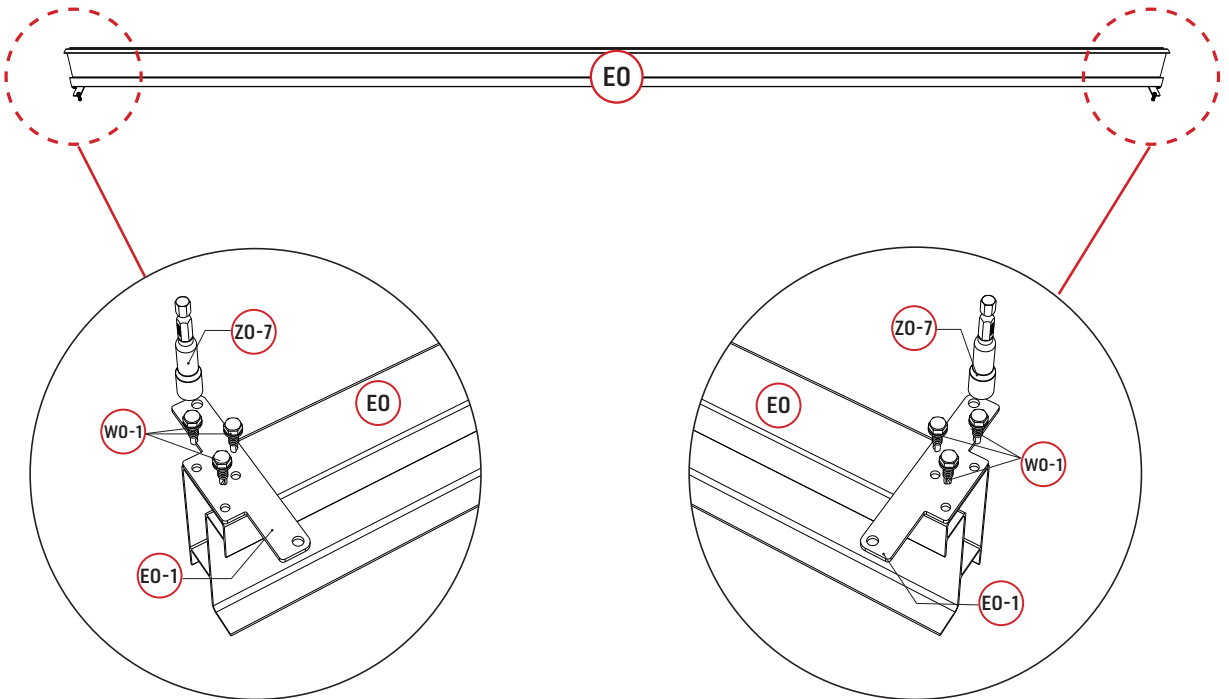
EO		1
EO-1		2
WO-1		6
XO-3		4

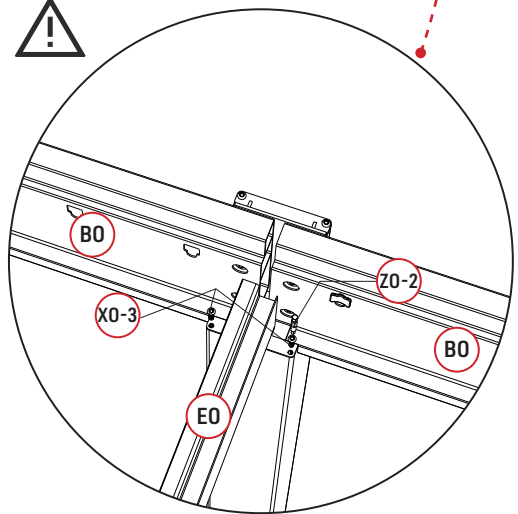
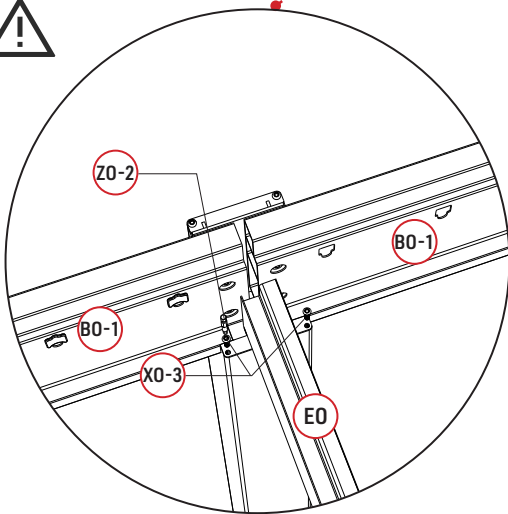
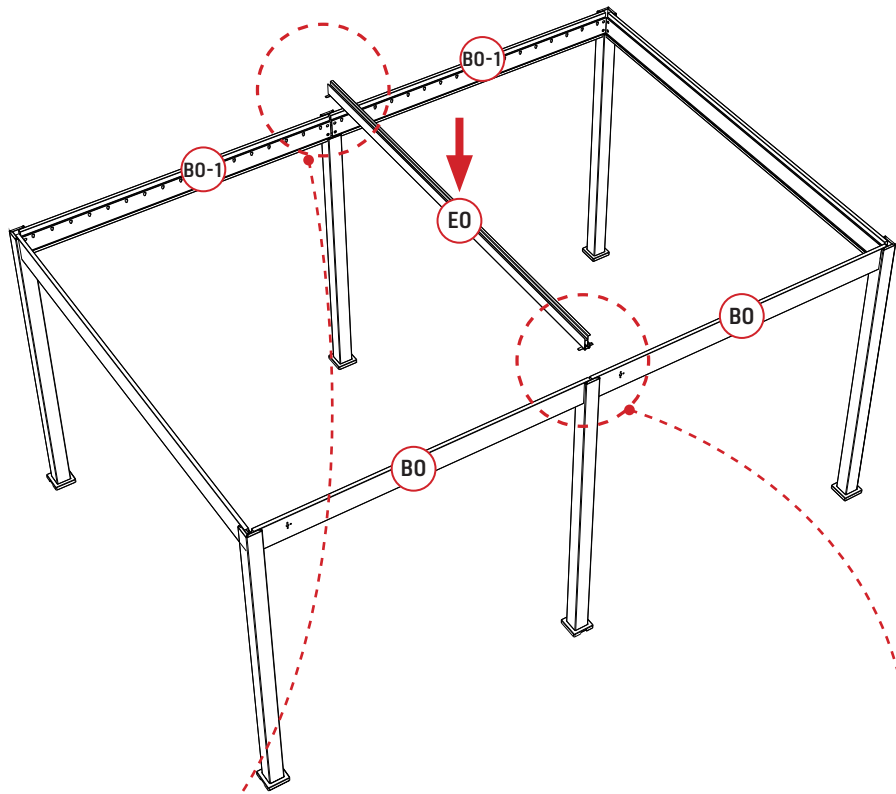
Tools

ZO-1		1
ZO-2		1
ZO-7		1

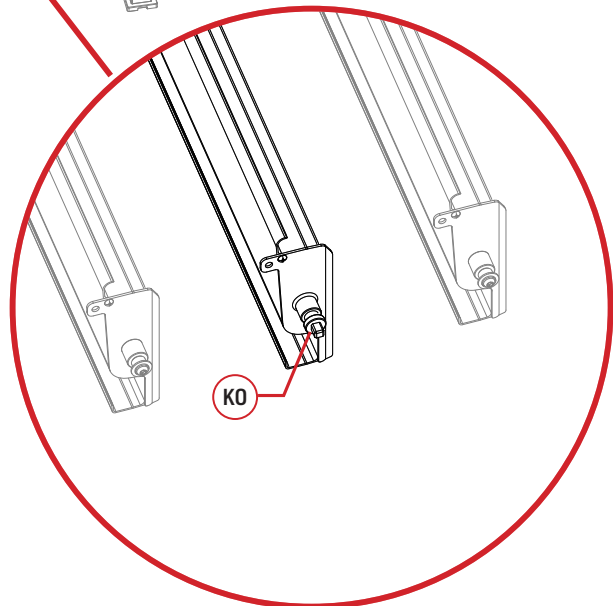
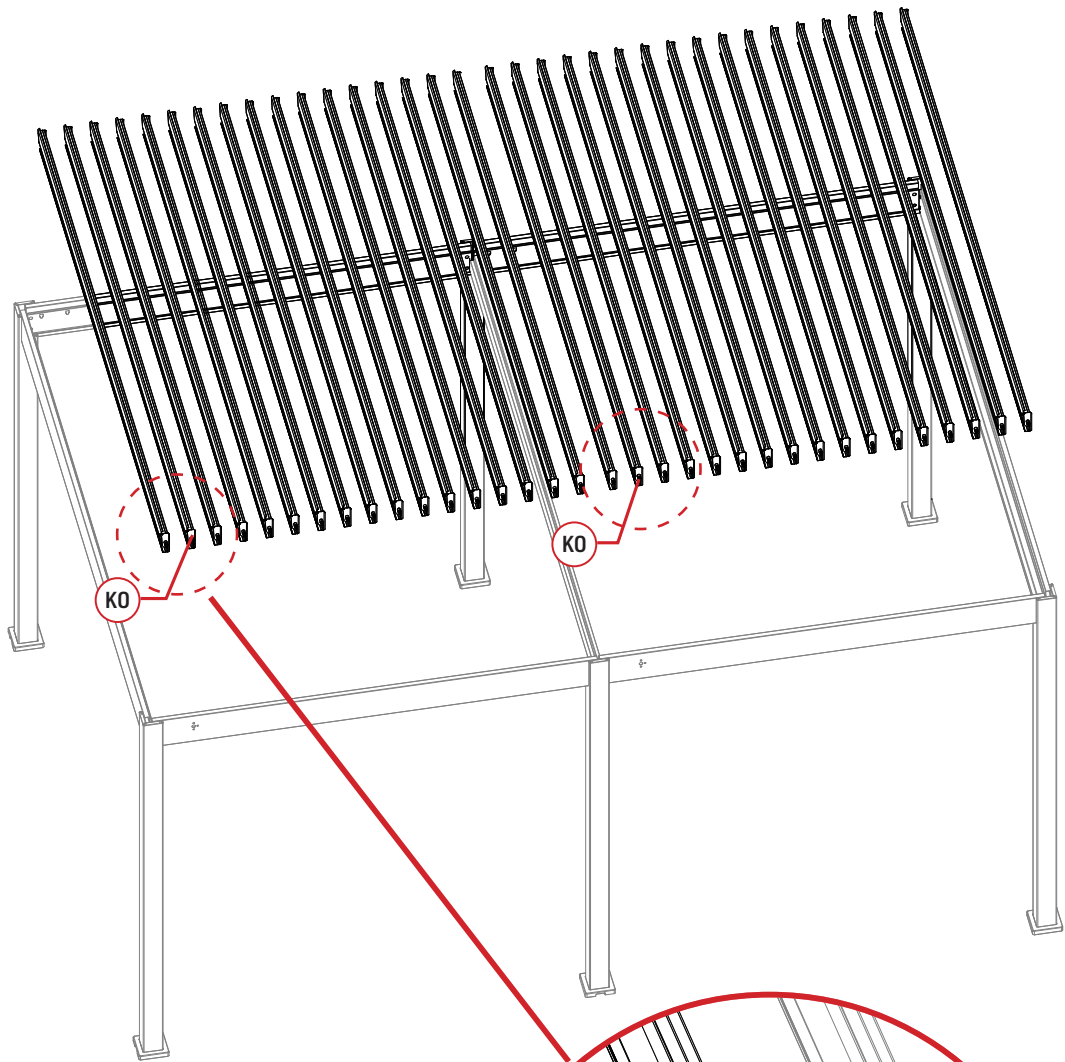


Connect beams to columns





Step 2 : LOUVERS





Step 2 : LOUVERS

2-1

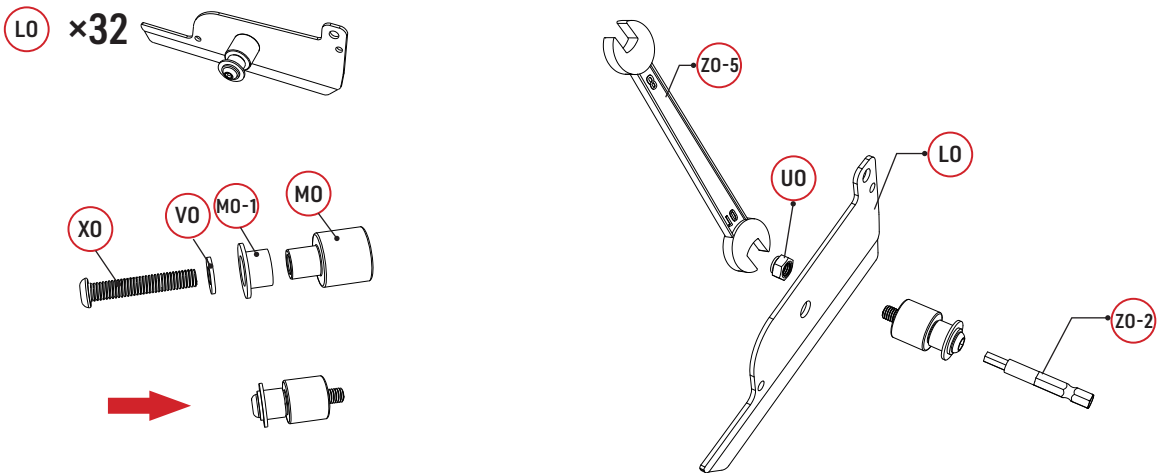
Parts

LO		32	MO-1		66	VO		66
LO-1		34	XO		66			
MO		66	UO		66			

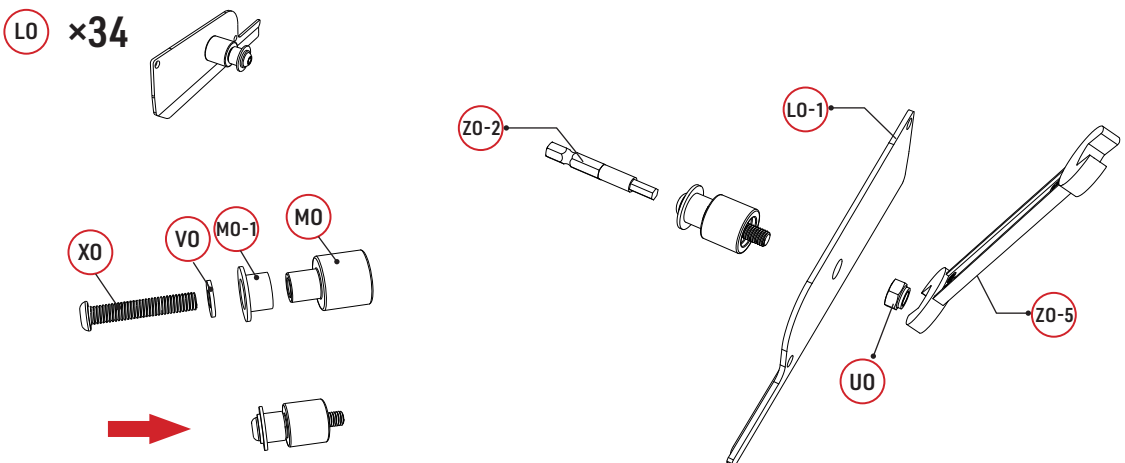
Tools

ZO-3		1
ZO-4		1

Louver sealing plate









Louver sealing plate





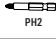
Step 2 : LOUVERS

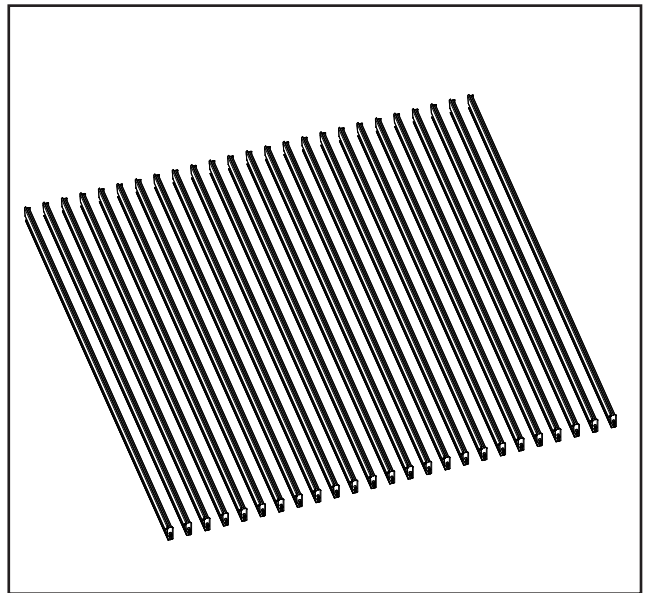
2-2

Parts

GO		34
KO		2
LO		32
LO-1		34
WO	 	136

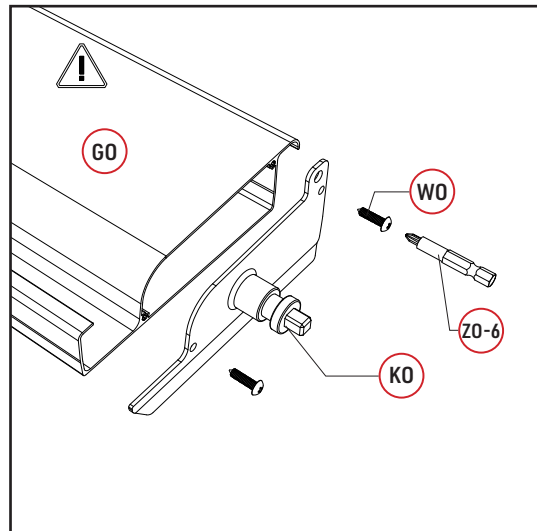
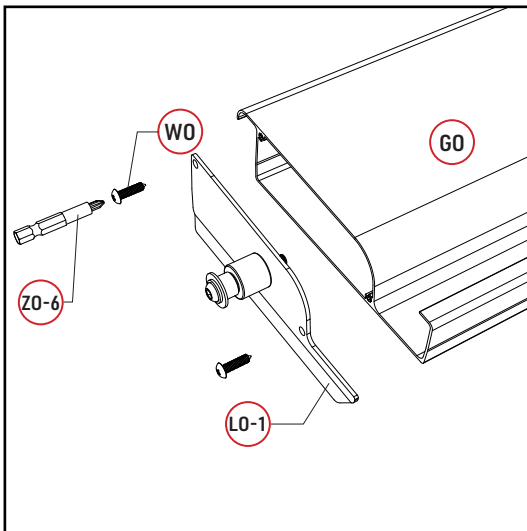
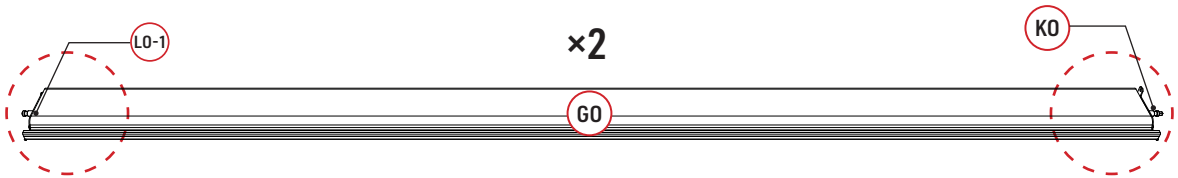
Tools

ZO-1		1
ZO-2		1
ZO-6		1

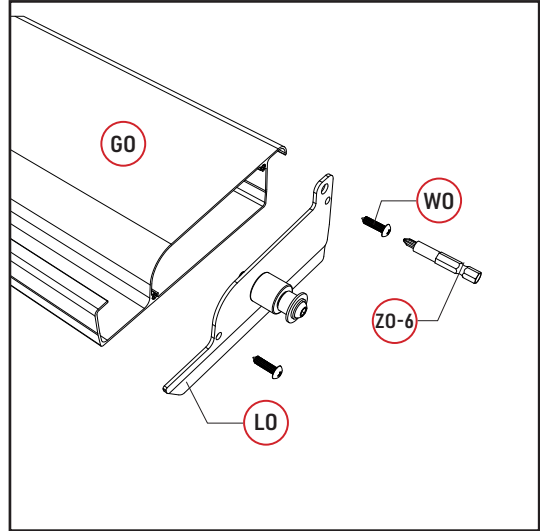
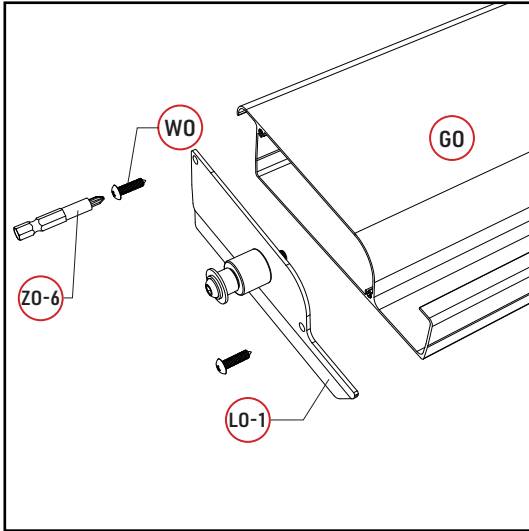
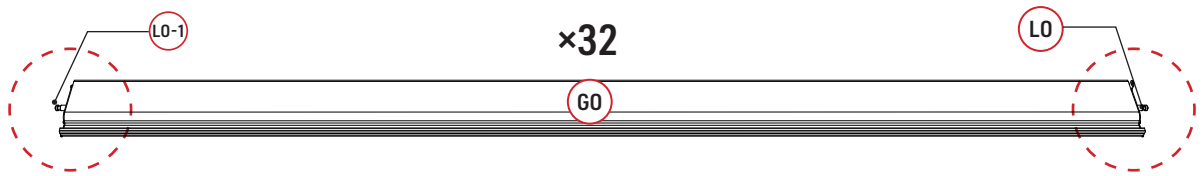


louver connection

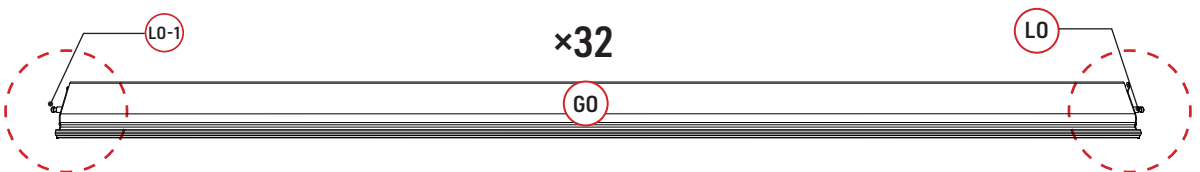
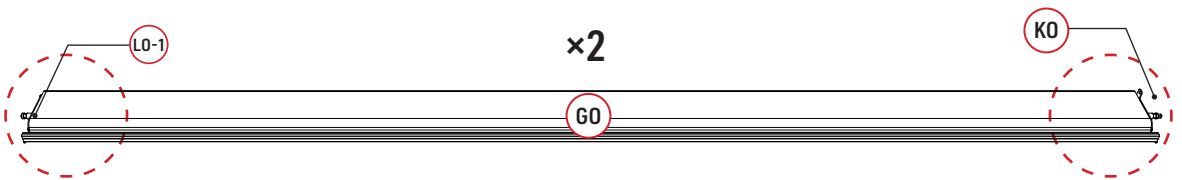
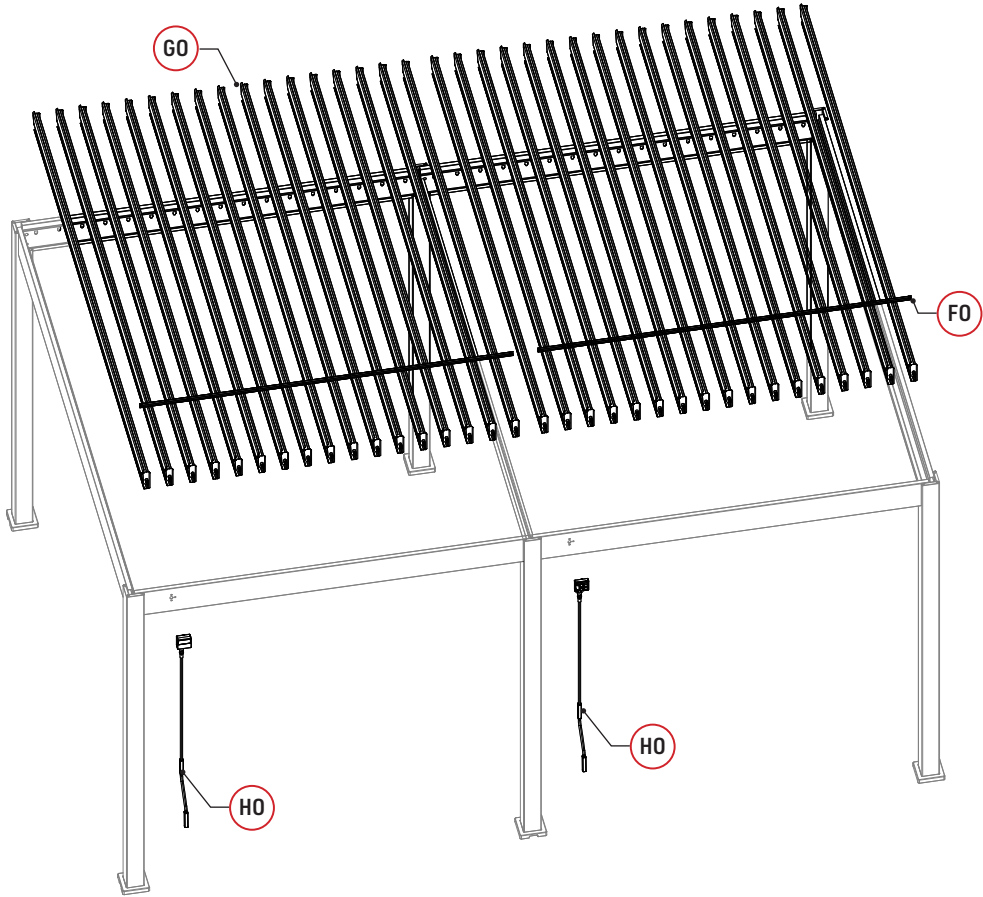
Completion Diagram



Completion Diagram

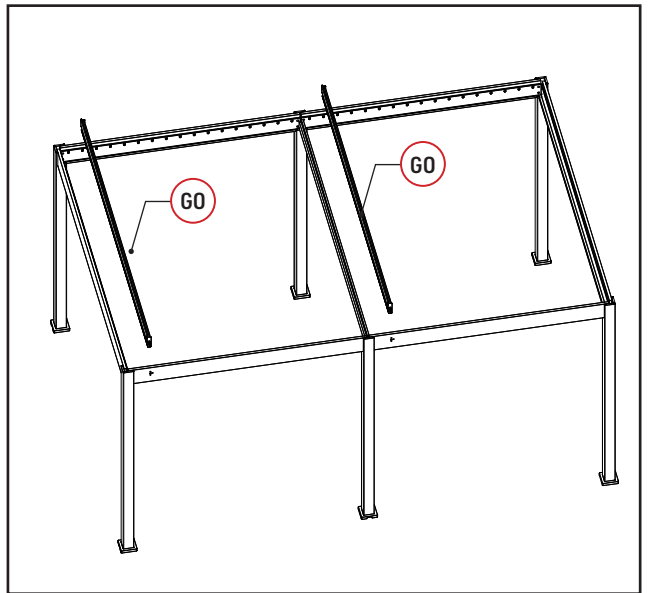


Step 3 :CONNECTORS

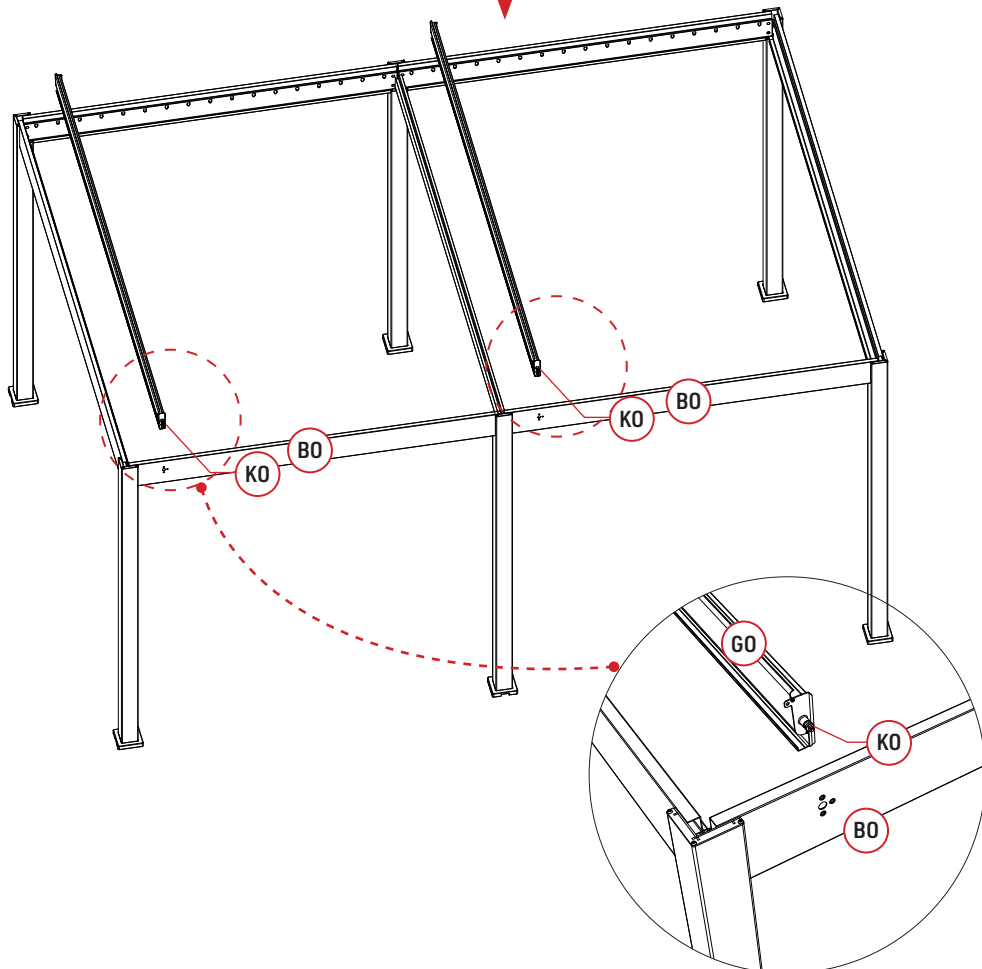


Step 3 :CONNECTORS

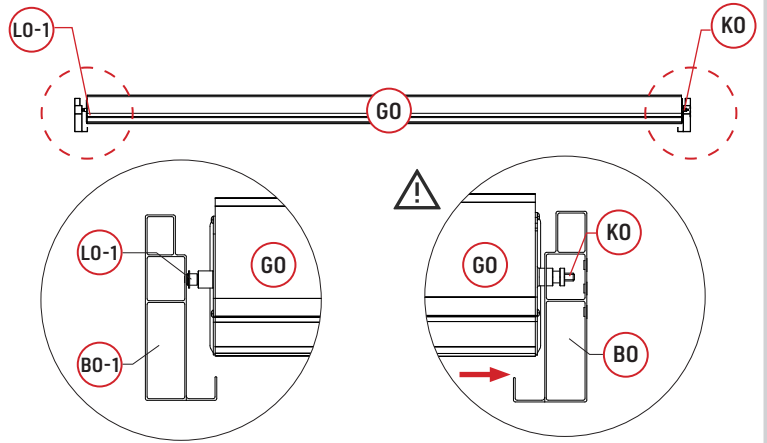
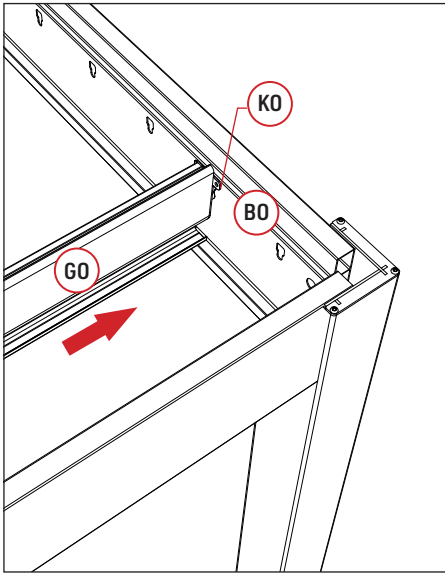
3-1



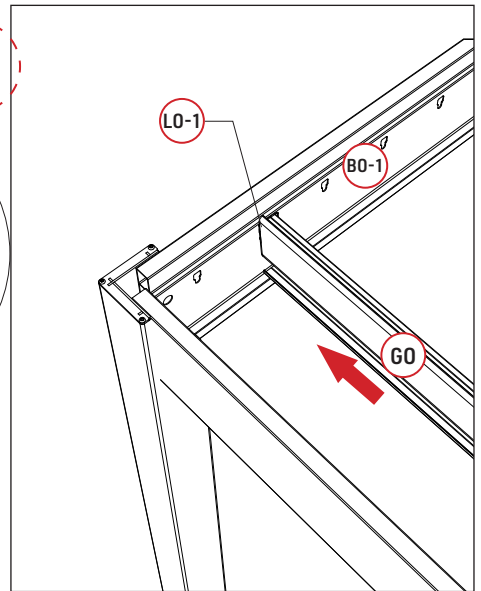
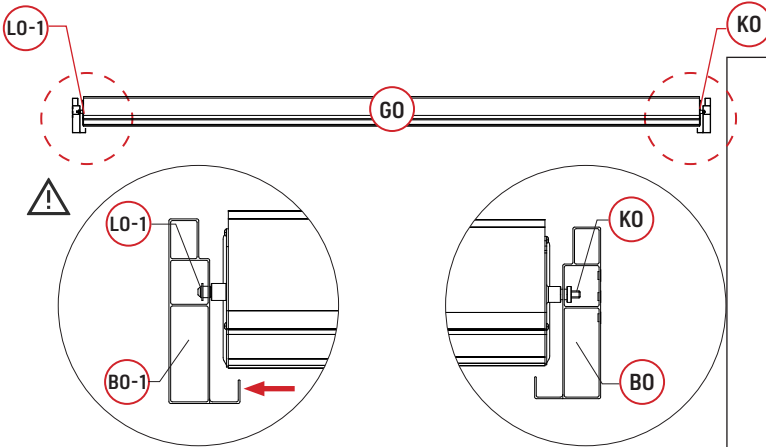
Fasten rubber plugs on both ends of the louvers



1



2

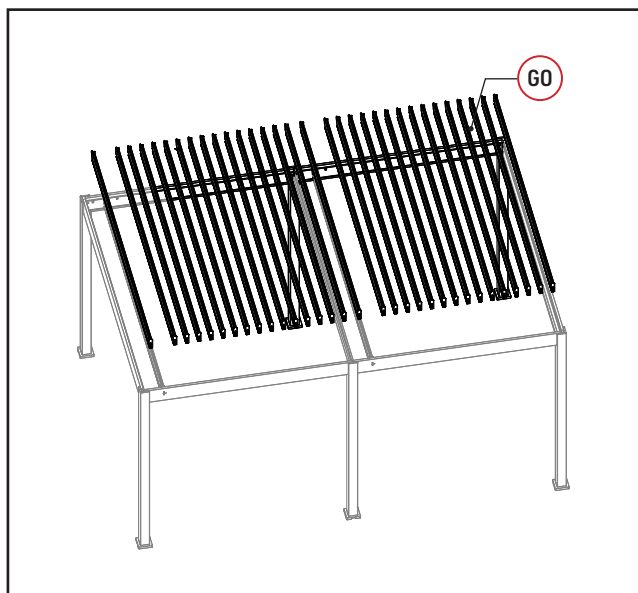


Step 3 :CONNECTORS

3-2

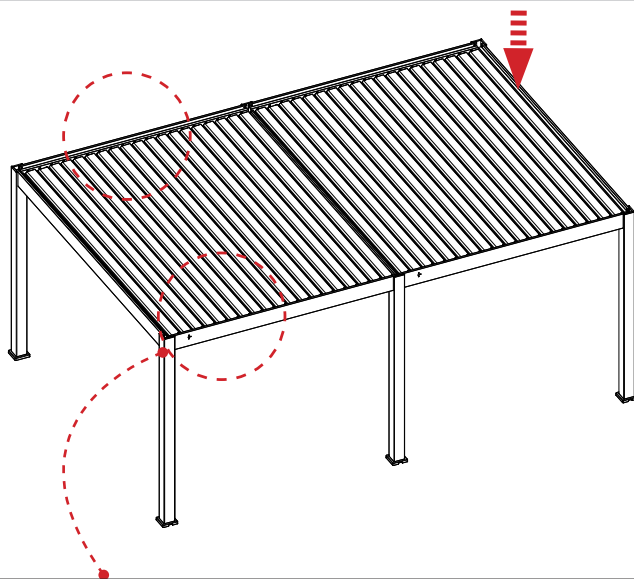
Parts

S0		68
----	---	----

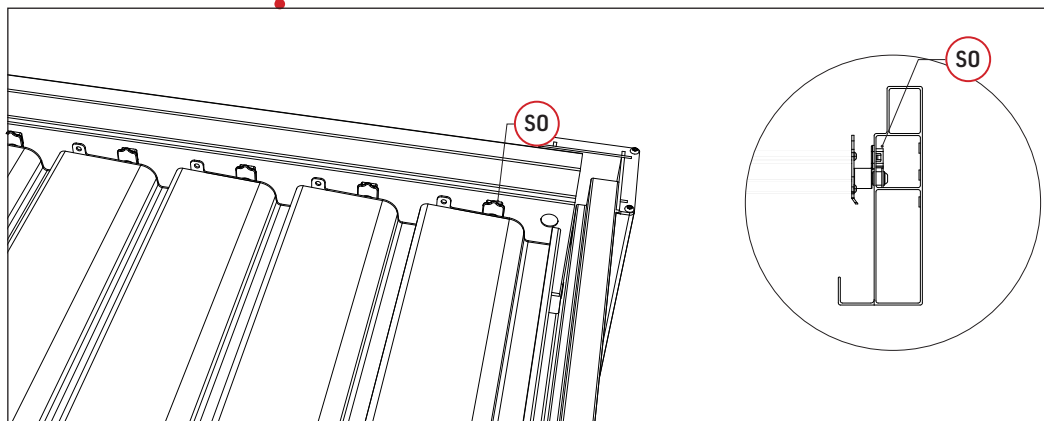


Put in the other louvers and seal the end caps

1








2

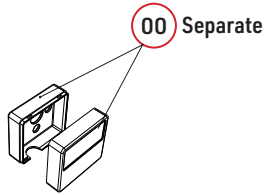


Step 3 :CONNECTORS

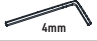
3-3

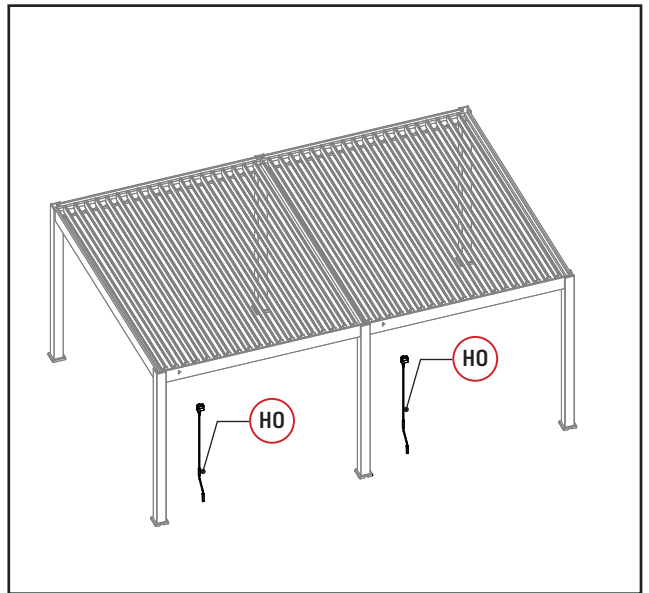
Parts

HO		2			
NO		2	YO		6
OO		2			
PO		2			



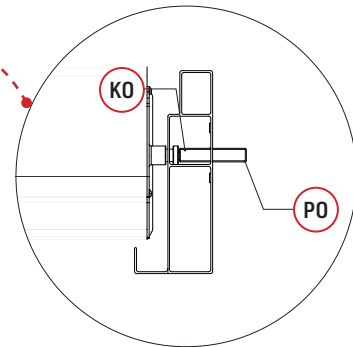
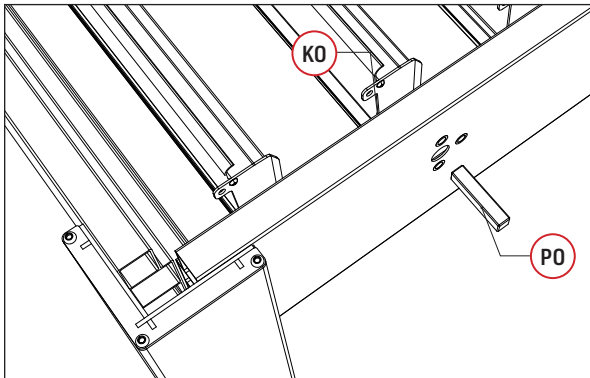
Tools

ZO-1		1
ZO-2		1

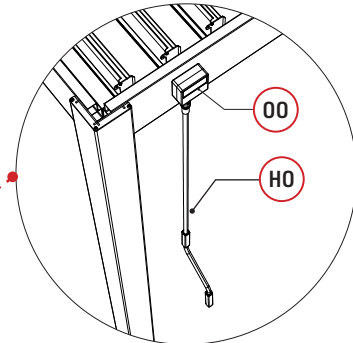
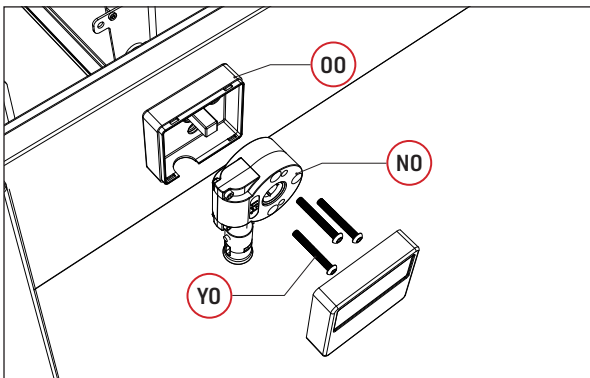


Complete the connection of the main shaft louvers

1







2






Step 3 :CONNECTORS

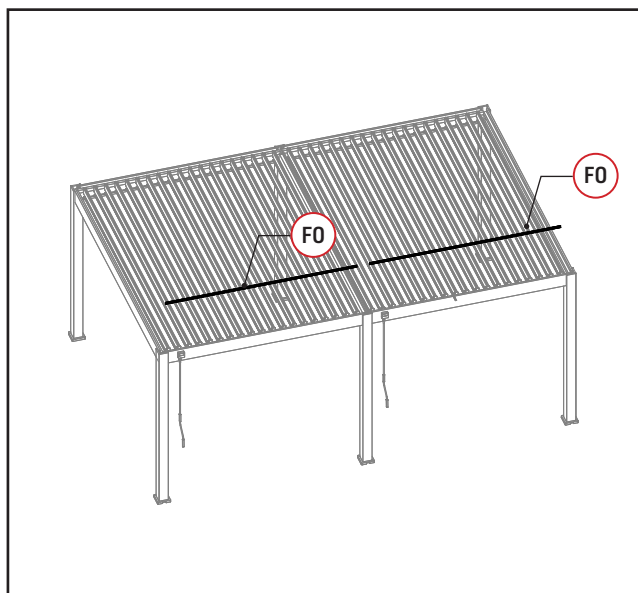
3-4

Parts

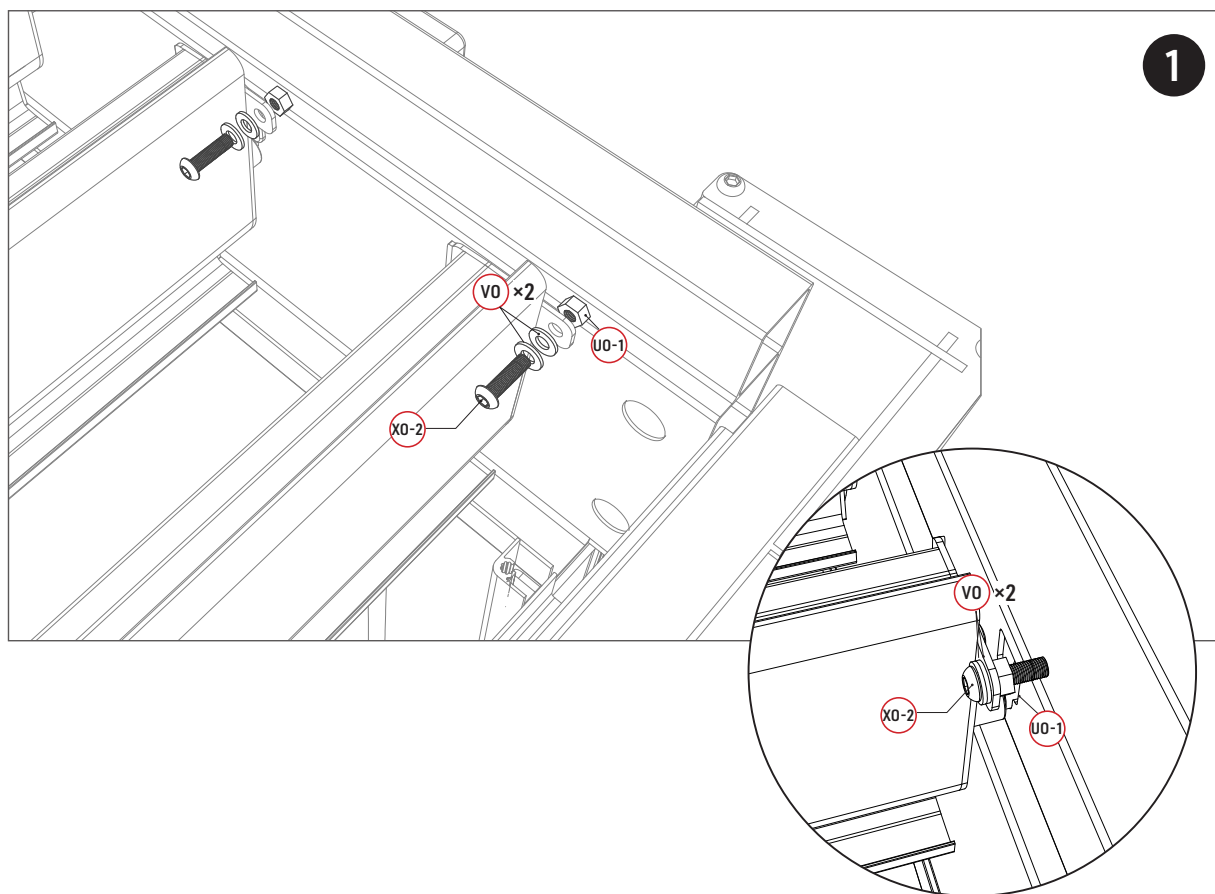
F0		2
V0		102
U0	 lock nut	34
U0-1	 plastic nut	34

Tools

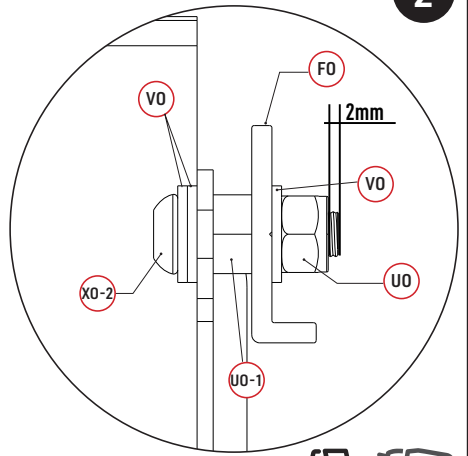
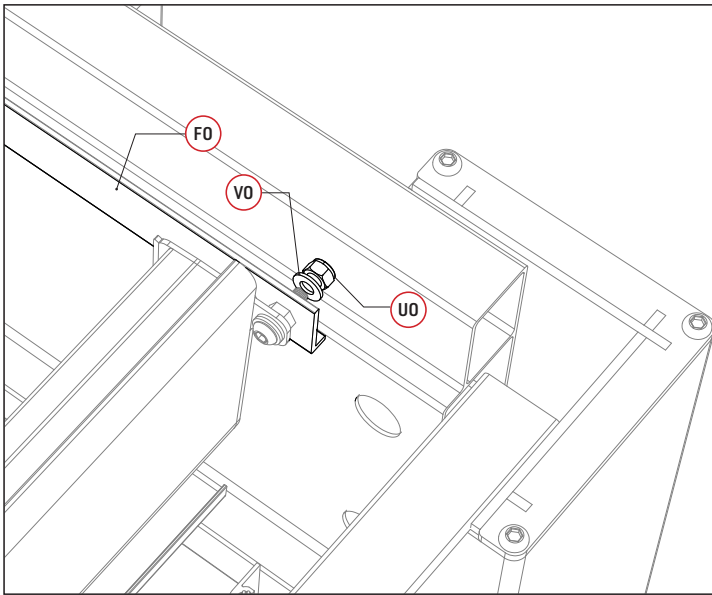
Z0-1	 4mm	1
Z0-2	 4mm	1
Z0-5	 10mm	1



Louver connection





2

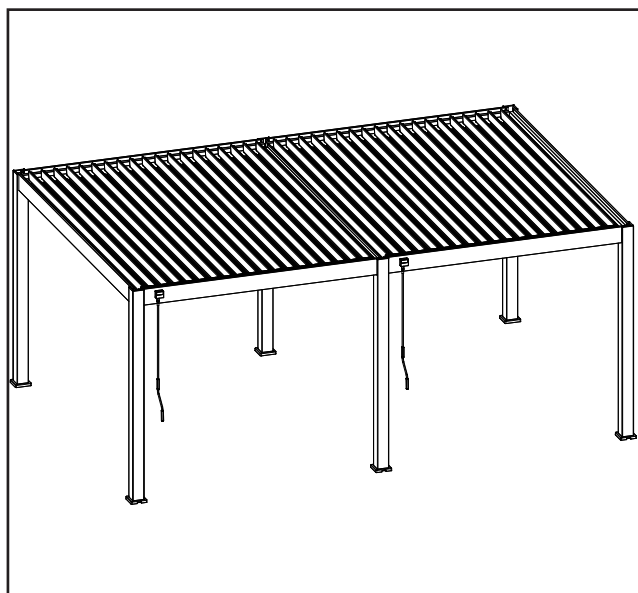


Step 3 :CONNECTORS

3-5

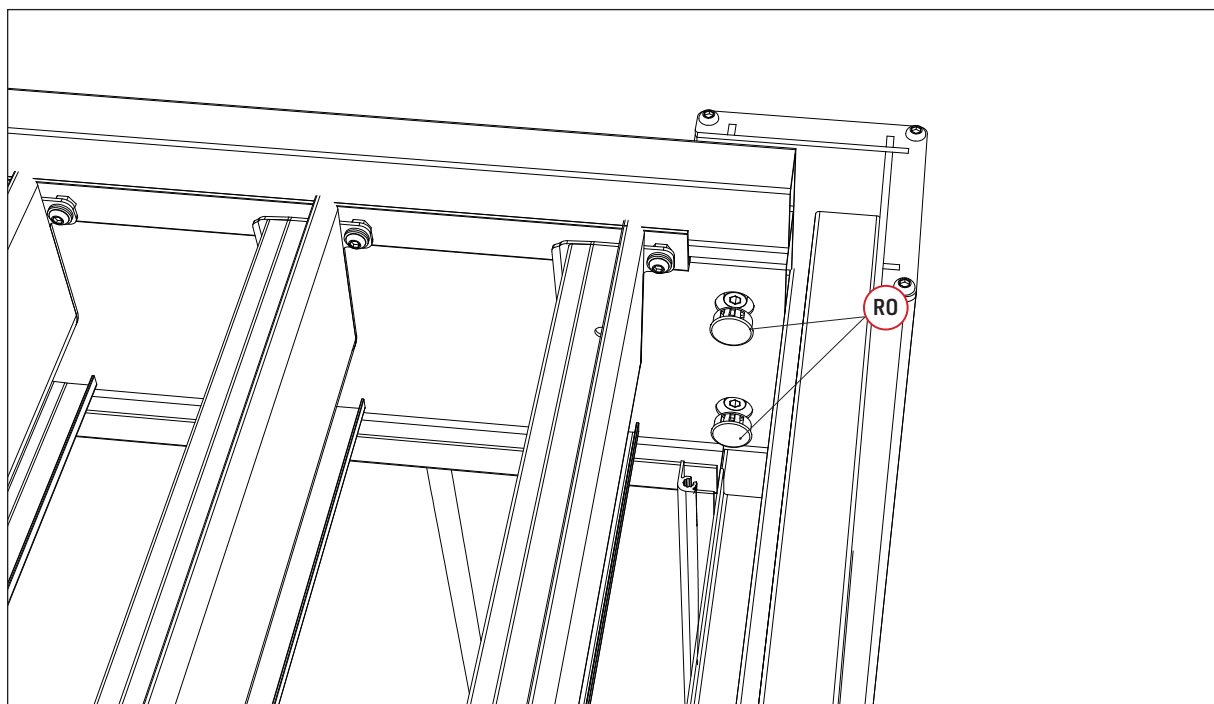
Parts

RO		24
TO	 10x80	24



Close the cover to complete the fixing of the pergola

1

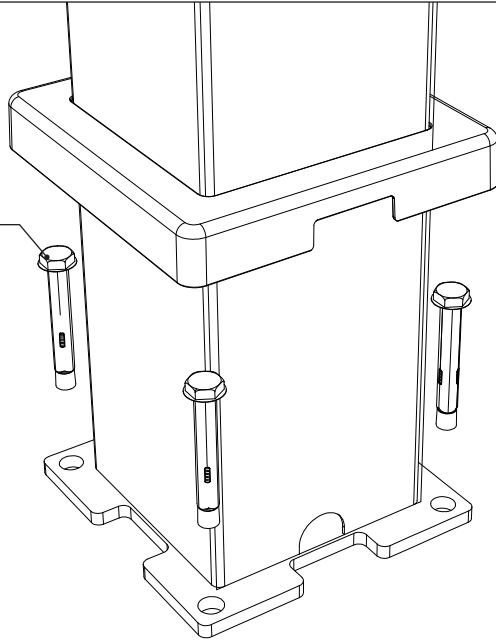


2



Check size

T0



12MM



M17