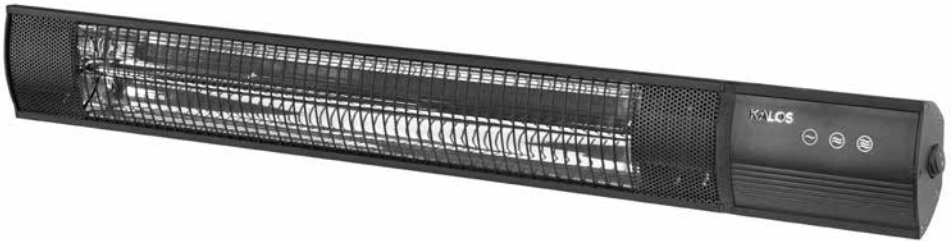


# KALOS

ADDING WARMTH TO OUTDOOR LIVING

## Ibiza Electric Wall/Ceiling Mounted Heater - 2000W

KLEH163-0600C



### IMPORTANT

PLEASE KEEP THIS BOOKLET FOR FUTURE REFERENCE.  
THIS IS IMPORTANT INFORMATION REGARDING THE USE AND  
CARE OF YOUR OUTDOOR HEATER.








ASSEMBLY  
TIME



PERSONS  
REQUIRED

# Important Information

-  Unpack the outdoor heater making sure that all of the items are present and that there are no components left in the box and the heater head is free from any packaging material. Extra packaging is added to some models for transportation protection which must be removed before assembly.
-  Using the detailed drawing following the steps to assemble the outdoor heater (where relevant).
-  **DO NOT** connect the outdoor heater to the electrical supply until the assembly is complete.
-  **DO NOT** connect the outdoor heater to the electrical supply if any of the components or power cord is damaged in any way.
-  **CAUTION** - Risk of Electric Shock. **DO NOT** open or try to repair the heater yourself.

## Important advice before you begin:

This appliance is not intended for use by persons (including children) with reduced physical, sensory or mental capabilities or lack of experience and knowledge if they have been given supervision or instruction concerning use of the appliance in a safe way and understand the hazards involved.

Children should not play with the appliance.

Cleaning and user maintenance should not be made by children without supervision.

Do not use any other tools other than those recommended to build this product.

Please do not use substitute parts. Use only additional or replacement parts supplied by Kettler.

In the unlikely event that this product has missing or damaged parts, please visit our website [www.kettler.co.uk/shop](http://www.kettler.co.uk/shop).

# For Your Safety

## Warning

- This heater is not equipped with a device to control the room temperature. **DO NOT** use this heater in small rooms when they are occupied by persons not capable of leaving the room on their own, unless constant supervision is provided.
- Children of less than 3 years should be kept away unless continuously supervised.
- Children under 8 years shall not plug in, regulate and clean the appliance or perform user maintenance.



## Caution

- Some parts of this product can become very hot and cause burns. Particular attention must be given where children, vulnerable people and animals are present.
- **For floor mounted heaters only** use the heater on a firm solid horizontal area where all the feet on the base are in contact with the floor. (Should the heater be tilted or fall over the auto cut off switch will activate).
- Risk of Electric Shock. **DO NOT** open or try to repair the heater yourself.
- Any maintenance or repairs including replacing the tube(s) should only be carried out by a qualified electrician or by a qualified service centre.

1. Site the heater outside or in a large open area and well away from any obstructions such as branches or where the heater is near any objects that can be affected by heat, such as furniture, curtains or other inflammable objects (minimum distance 1 metre).
2. **DO NOT** use this heater in the immediate surroundings of a bath, a shower or a swimming pool. Do not use near water.
3. **DO NOT** use in unventilated areas.
4. **DO NOT** use where gas, petrol, paint or other surely flammable goods are stored.
5. **DO NOT** push any items through, obstruct or cover the grill of the heater head.
6. **DO NOT** position immediately above or below an electrical socket.
7. **DO NOT** move when connected to an electrical supply and always wait for the patio heater to cool down before cleaning / storing away.
8. **DO NOT** touch the heater head when in use.
9. **DO NOT** leave turned on and unattended especially when children and or animals are in the vicinity.
10. The indication of the different positions of switches shall be visible from a distance of 1M.

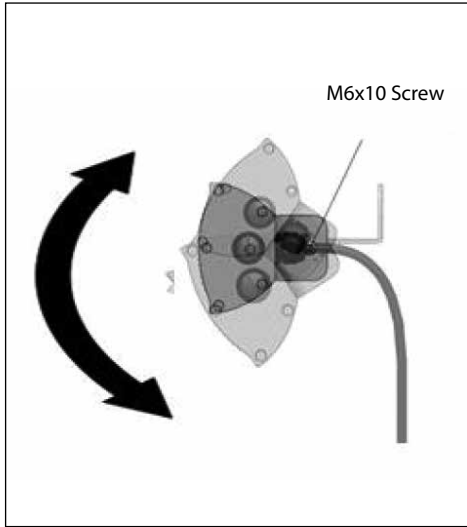
# For Your Safety

11. The marking concerning covering should be visible after the heater has been installed. It shall not be placed on the back of portable heaters.
12. The unit must be placed with the clearance of 15cm from side wall, 25cm from ceiling and 180cm from floor.
13. The unit must be correctly installed according to the instructions.
14. The unit is at high temperature during operation. It keeps hot for a period after shut down. Potential danger would occur when touching it during this period. Unplug the unit and wait till it cools before cleaning.
15. **DO NOT** place the unit close to curtain and/or other flammable objects. Otherwise there will be a danger of catching fire.
16. **DO NOT** cover the unit with anything during operation or a short time after it is shut down.
17. **DO NOT** wrap the power supply cord on the unit.
18. The unit must be handled with care, and avoid vibration or hitting.
19. An apparatus with CLASS I construction shall be connected to a MAINS socket outlet with a protective earthing connection.
20. **DO NOT** use if the unit or power cable is damaged.
21. **DO NOT** attempt to repair or adjust any electrical or mechanical functions on this unit. Doing so will void your warranty. The inside of the unit contains no user serviceable parts. Servicing / Repair should only be performed by a qualified electrician or qualified service centre.
22. **DO NOT** use this unit in place where causticity or volatile air exists, i.e. dust, steam, gas, etc.
23. **DO NOT** use this unit as a cloth drier or towel drier.
24. **DO NOT** use this unit as a sauna heater.
25. **DO NOT** use this unit as a room heater.
26. **DO NOT** use this unit in place of animal propagating and raising.
27. **DO NOT** immerse this unit into water for cleaning.
28. The unit should be plugged in a socket, which is easily visible and reachable.
29. **DO NOT** use this heater with a programmer, timer or any other device that switches the heater on automatically, since a fire risk exists if the heater is covered or positioned incorrectly.
30. Children should be supervised to ensure that they do not play with the appliance.
31. When assembling, keep clear from any board or flammable material.

# For Your Safety

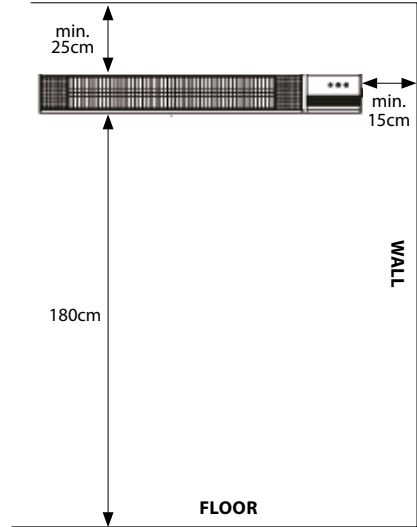
- 32. DO NOT** insert or allow foreign objects to enter any ventilation or exhaust opening as this may cause an electric shock or fire, or damage the heater.
- 33.** Use only for intended household use as described in this manual. Any other use not recommended by the manufacturer may cause fire, electric shock, or injury to persons. The use of attachments not recommended or sold by unauthorized dealers may cause hazards.
- 34.** The unit is for household use only. It is not safe to use on a building site, greenhouse, barn or stable where there's flammable dust.
- 35.** Avoid the use of an extension cord because the extension cord may overheat and cause a risk of fire. However, if you must use an extension cord, the cord shall be rated to 13A (Minimum conductor size 1.5mm<sup>2</sup>) and if the cord is on a reel it must be fully unwound before use.
- 36.** Disconnect the power cable from the electrical supply when the heater is not in use. If the power cord becomes damaged, it must be replaced by a qualified electrician.
- 37.** This appliance is not intended for use by a person (including children) with reduced physical, sensory or mental capabilities, or lack of experience and knowledge, unless they have been given supervision or instruction concerning use of the appliance by a person responsible for their safety.
- 38.** One dark point may exist on the surface of the heating elements during the first few minutes after it is turned on. This is normal, and will not affect the performance of the unit.
- 39.** To avoid fire or shock hazard, plug the unit directly into a 220-240 Vac and 13A electrical socket outlet.

# Installation



When using the heater, please carefully follow the instructions and recommendations below.

- You could loosen the two M6\*10 screws by the 'L' hexagonal wrench to change the best Angle of heating. Then retighten them.

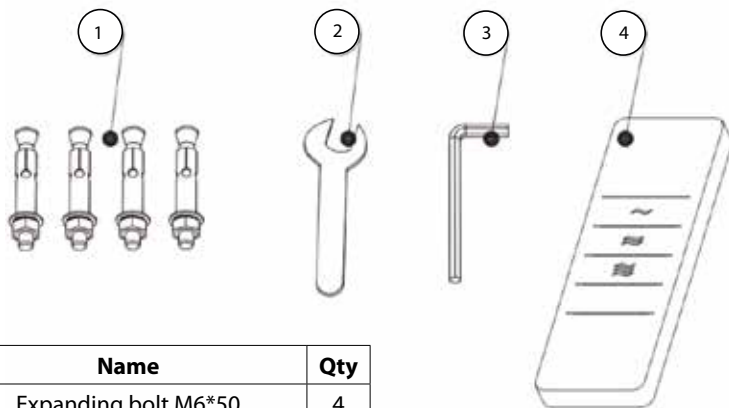


## Installation to Wall

- When fixing the heater to a wall, ensure hinges are in the underside so that the lid hands down in the open position.
- Minimum required distances:
  - a) 150mm from the side wall
  - b) 250mm from the ceiling
  - c) Installation height above 1.8M
- The heater must be fixed to a wall with the bracket supplied to allow adequate ventilation.

# Assembly to Wall

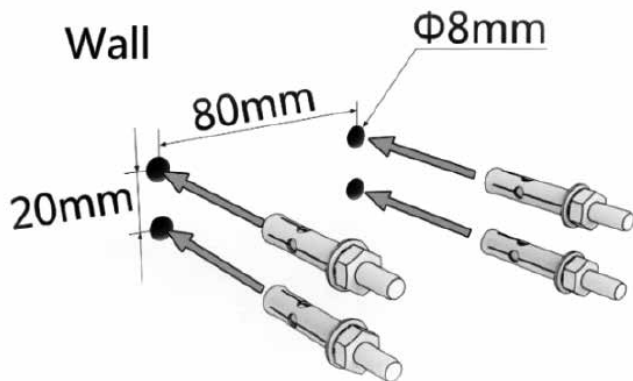
## Parts



Ref	Name	Qty
1	Expanding bolt M6*50	4
2	M6 spanner	1
3	'L' hexagonal wrench(4mm)	1
4	Remote control	1

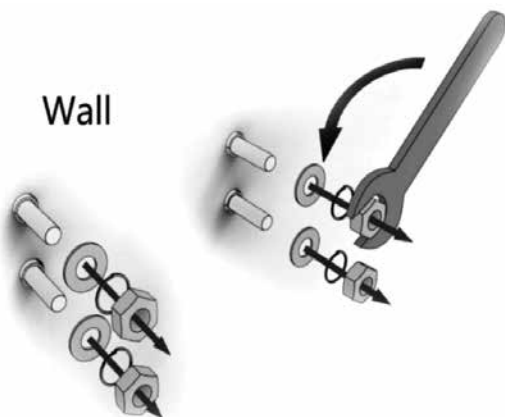
# 1

- **Step 1:** put 4 x expanding bolts M6\*50 into the wall.



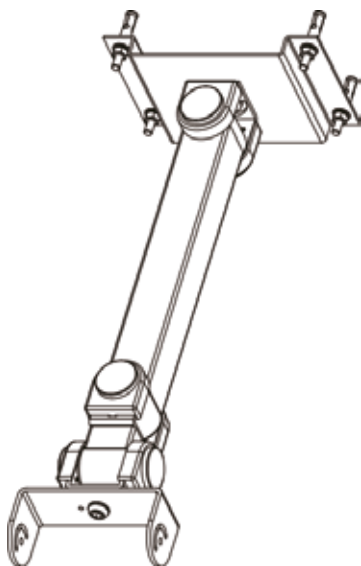
# Assembly to Wall

2



- **Step 2:** Take off the nuts, the spring lock washers and the plain washers from four expanding bolts. Keep them for the next step.

3

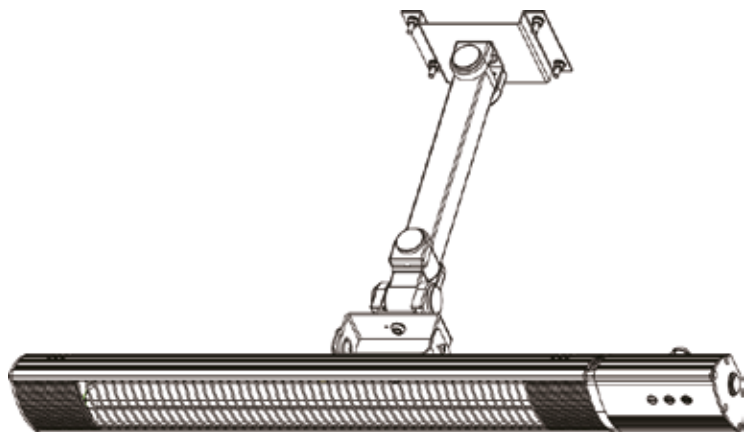


- **Step 3:** Install the heater on the wall



## Assembly to Wall

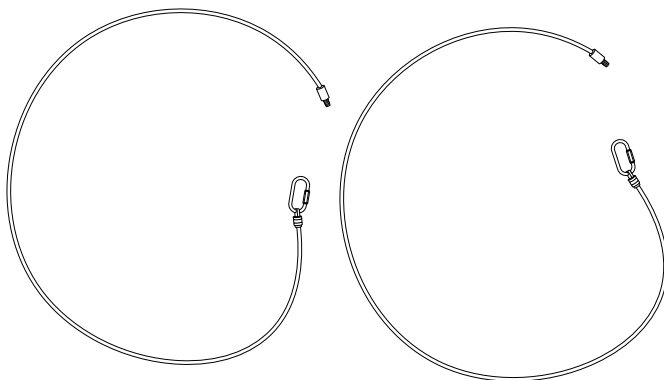
4



Finished

# Assembly to Ceiling

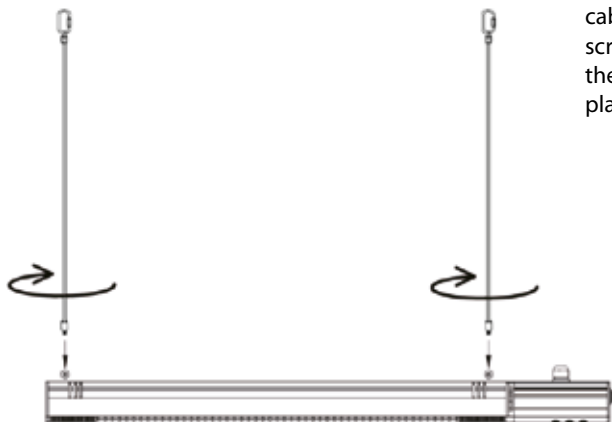
## Parts



Name	Qty
Hanging Cable	2

**1**

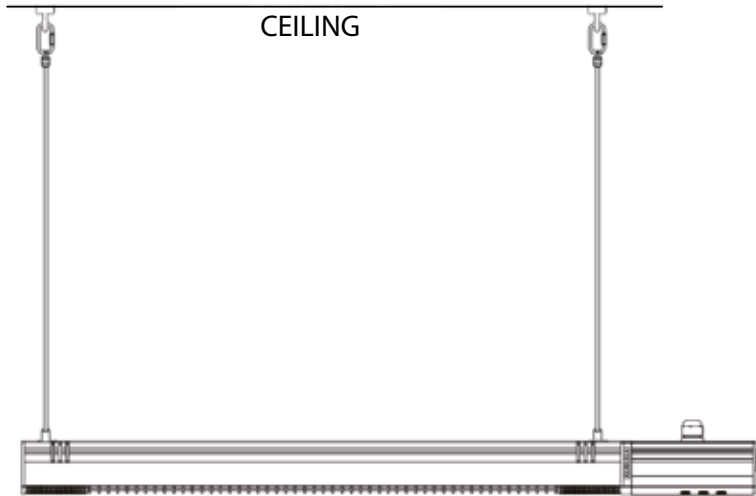
- **Step 1:** Attach the hanging screw on the hanging cable component into the screw holes on the back of the product and secure in place tightly.



# Assembly to Ceiling

2

- **Step 1:** Hang the product from a secure ceiling.



**Finished**

# Operation Instructions

Connect the power cable to a 13 amp supply which is located in a safe, dry area.

The switch on the heater is used to control the Heater. When the position mean on the ☺, the standby light will be turn orange, the heater will be in standby mode. The ☹ position will turn off the Heater.

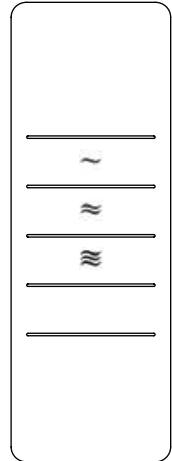


## The Panel Control

- Touch the ~ for low heat, touch it again to turn the heater off.
- Touch the ≈ for medium heat, touch it again to turn the heater off.
- Touch the ≏ for high heat, touch it again to turn the heater off.

## Remote Control

- Touch the ~ for low heat, touch it again to turn the heater off.
- Touch the ≈ for medium heat, touch it again to turn the heater off.
- Touch the ≏ for high heat, touch it again to turn the heater off.
- Although the heater is showerproof, do not use when raining or in wet conditions.
- Disconnect the power cable from the electrical supply, when the patio heater is not in use.



# Operation Instructions

## Trouble Shooting

If the heater will not operate, please check the following before seeking repair of service:

- Check if the power cord is plugged into an electrical outlet, if not plug in.
- Check if electricity to the main fuse is working.
- Make certain the power switches are turned on. If not, choose a setting.

## Technical specification

- Power supply 220V-240V 50Hz
- Wattage max 2000W
- Insulation class I
- Width 10cm; Length:81.8cm

# Maintenance and Care Instructions

- Unplug the unit and let it cool completely.
- When disconnected from the electrical supply, clean the outside of the patio heater with a damp cloth. Never use corrosive or solvent cleaners or immerse in water.
- Any maintenance or repairs including replacing the halogen tube should only be carried out by a qualified electrician or by a qualified service centre.

## Storage

- If the heater will not be used for a long period of time, store it in a cool, dry location when not in use. To prevent dust and dirt build-up, use the original packaging to repack the unit.

# KETTLER



[www.kettler.co.uk](http://www.kettler.co.uk)



The symbol indicates that the product should not be discarded as unsorted waste but must be sent to separate collection facilities for recovery and recycling.



## Warranty For Home Use

This product is covered by a 12 month warranty against manufacturing faults. This warranty applies to domestic use only. It does not cover commercial use, mis-use or accidental damage.

To validate your warranty, register at [www.kettler.co.uk](http://www.kettler.co.uk) and quote the product code from the front of this booklet.